

Bridge Contract No.
DBB-14-1a

Site # 044-01-ea41a Scott Drive over Hominy Creek in
Haywood County

HAYWOOD COUNTY

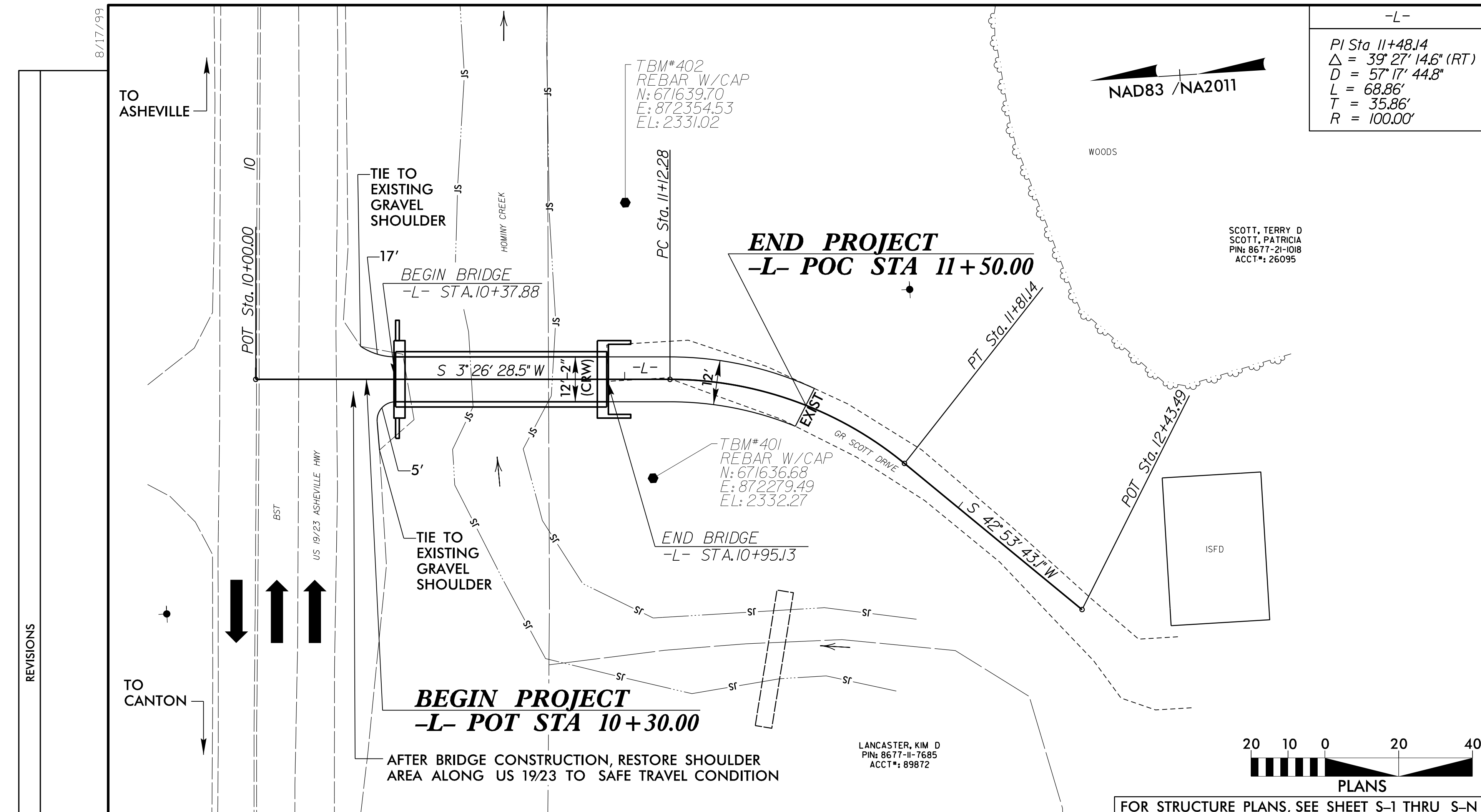
LOCATION: BRIDGE OVER HOMINY CREEK ON SCOTT DRIVE

I HEREBY CERTIFY THAT I HAVE REVIEWED THE EXISTING HYDRAULIC CONVEYANCE AT THIS SITE WHICH WAS A 36'-6" SINGLE SPAN STEEL I-BEAM BRIDGE WITH VERTICAL ABUTMENTS WITH THE PROPOSED CONVEYANCE PROVIDED BY THE PROPOSED 55' SINGLE SPAN CORED SLAB BRIDGE WITH SLOPING ABUTMENTS.

THE PROPOSED BRIDGE LOW CHORD SHALL BE SET NO LOWER THAN THE LOW CHORD OF THE EXISTING BRIDGE ELEVATION OF 2,335' WHICH MEETS THE FEMA DISASTER SPECIFIC GUIDANCE FOR THE REPLACEMENT OF PRIVATE ROADS AND BRIDGES ISSUED ON 14 FEBRUARY 2025, "TO PROVIDE BRIDGE/CULVERT DESIGN PLANS CERTIFIED (SEALED, SIGNED, AND DATED) BY A PROFESSIONAL ENGINEER LICENSED IN THE STATE OF NORTH CAROLINA DEMONSTRATING THAT THE NEWLY DESIGNED AND INSTALLED PRIVATE BRIDGE/CULVERT PROVIDES CONVEYANCE GREATER THAN OR EQUAL TO THE ORIGINAL DESTROYED CROSSING."

THIS CERTIFICATION DEMONSTRATES THAT THE NEWLY DESIGNED AND INSTALLED PRIVATE BRIDGE PROVIDES CONVEYANCE GREATER THAN OR EQUAL TO THE ORIGINAL DESTROYED CROSSING. THIS IS BASED ON THE BEST AVAILABLE DATA PROVIDED FROM POST STORM EVALUATIONS. PORTIONS OF THE EXISTING STRUCTURES MAY HAVE BEEN DESTROYED, REMOVED, MODIFIED OR SHIFTED FROM THEIR ORIGINAL LOCATION OR ELEVATION.

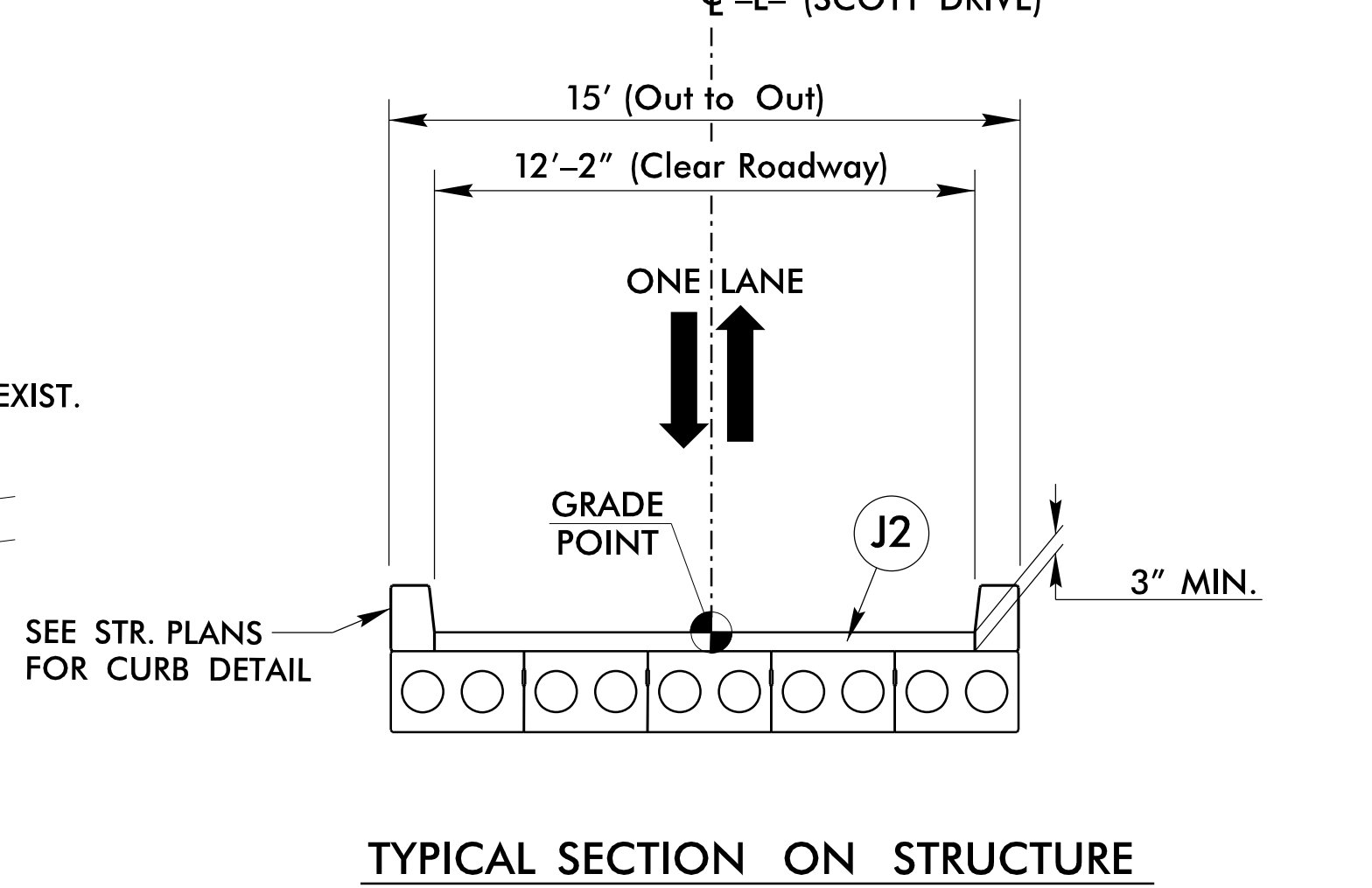
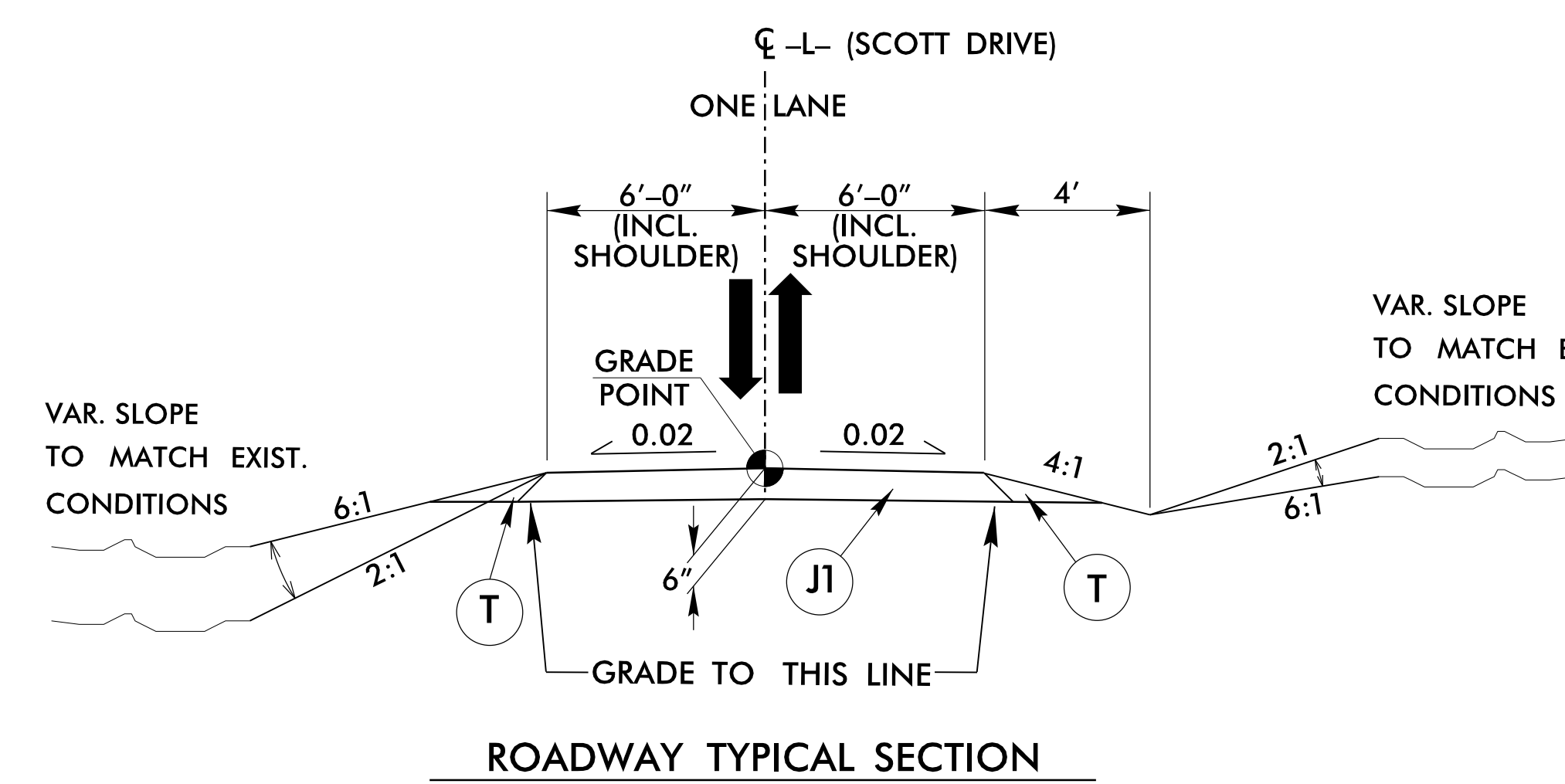
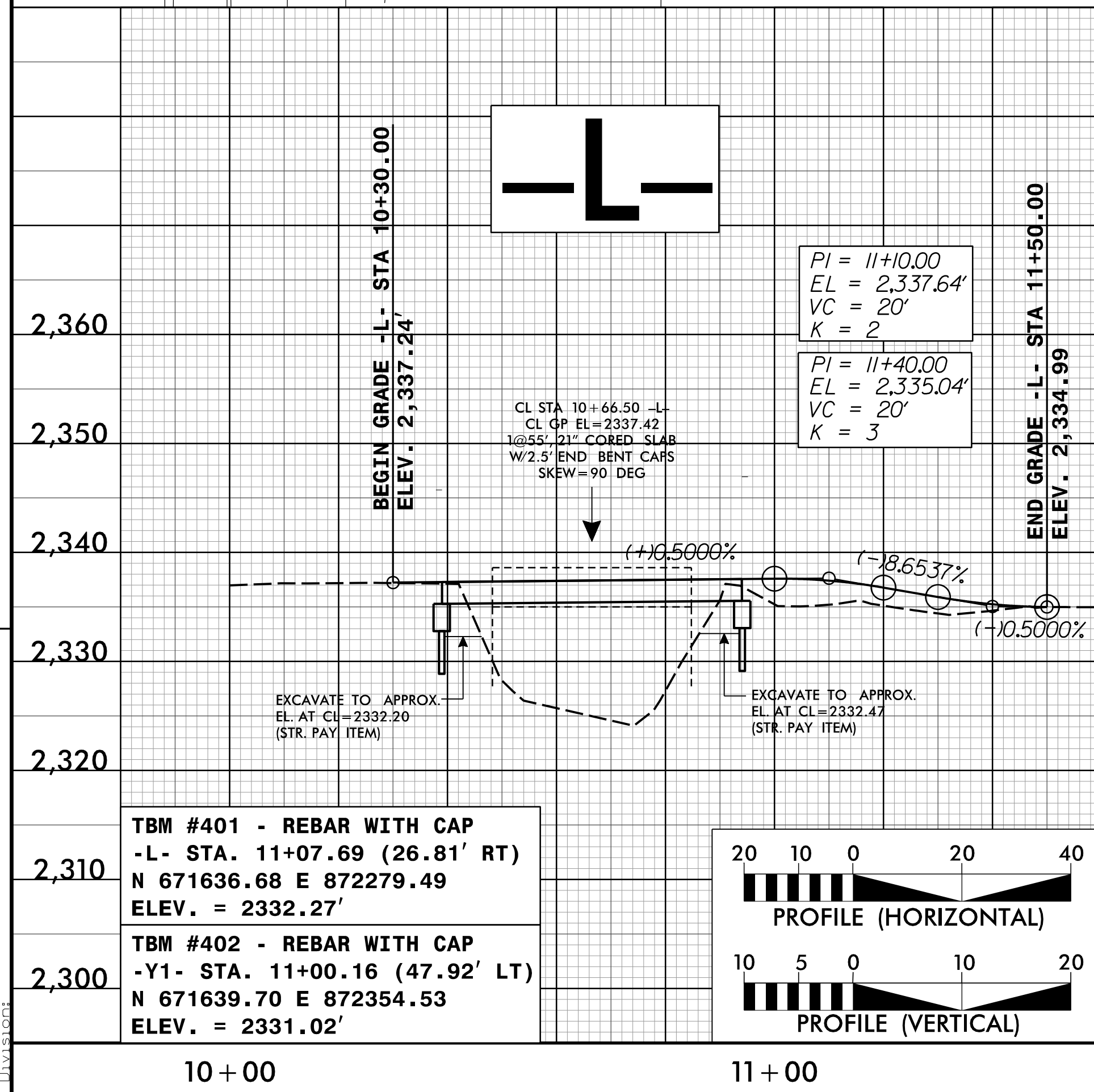
PROJECT REFERENCE NO. 044-01-ea41a	SHEET NO. 1
RW SHEET NO.	
ROADWAY DESIGN ENGINEER SEAL 045664 G. ARTHUR TRING	HYDRAULICS ENGINEER SEAL 033860 LAH M. YOUNG
DOCUMENT NOT CONSIDERED FINAL UNLESS ALL SIGNATURES COMPLETED	
Plans Prepared For: DIVISION OF EMERGENCY MANAGEMENT 1636 Gold Star Dr, Raleigh, NC 27607	
Plans Prepared in the Office of: KCI ASSOCIATES OF N.C., P.A. 4800 Falls of Neuse Road, Suite 200 Raleigh, NC 27609-6270 Phone (919) 783-9214 NC Firm License No: C-0764	
JOHN ABEL, PE NCEM CONTACT - GFT PROJECT ENGINEER	
ROB F. DECOLA, PE KCI PROJECT MANAGER	
MATT ARMSTRONG, PE KCI PROJECT DESIGN ENGINEER	



FOR STRUCTURE PLANS, SEE SHEET S-1 THRU S-N

PAVEMENT SCHEDULE

J1	PROP. 6" AGGREGATE BASE COURSE.
J2	PROP. 3" AGGREGATE BASE COURSE.
T	EARTH MATERIAL.



ROADWAY TYPICAL SECTION
-L- STA 10+30.00 TO 10+37.88 (BEG. BR.)
-L- STA 10+95.13 (END BR.) TO 11+50.00

TYPICAL SECTION ON STRUCTURE
21" CORED SLABS
-L- STA 10+37.88 (BEG. BR.) TO 10+95.13 (END BR.)

NOTE: 2:1 SLOPES SHALL NOT BE GREATER THAN 6' IN HEIGHT

REVISIONS

12/29/26 PM
12/24/26 PM
12/21/26 PM
12/17/26 PM
12/14/26 PM
12/11/26 PM
12/08/26 PM
12/05/26 PM
12/02/26 PM
11/29/26 PM
11/26/26 PM
11/23/26 PM
11/20/26 PM
11/17/26 PM
11/14/26 PM
11/11/26 PM
11/08/26 PM
11/05/26 PM
11/02/26 PM
10/29/26 PM
10/26/26 PM
10/23/26 PM
10/20/26 PM
10/17/26 PM
10/14/26 PM
10/11/26 PM
10/08/26 PM
10/05/26 PM
10/02/26 PM
09/29/26 PM
09/26/26 PM
09/23/26 PM
09/20/26 PM
09/17/26 PM
09/14/26 PM
09/11/26 PM
09/08/26 PM
09/05/26 PM
09/02/26 PM
08/29/26 PM
08/26/26 PM
08/23/26 PM
08/20/26 PM
08/17/26 PM
08/14/26 PM
08/11/26 PM
08/08/26 PM
08/05/26 PM
08/02/26 PM
07/29/26 PM
07/26/26 PM
07/23/26 PM
07/20/26 PM
07/17/26 PM
07/14/26 PM
07/11/26 PM
07/08/26 PM
07/05/26 PM
07/02/26 PM
06/29/26 PM
06/26/26 PM
06/23/26 PM
06/20/26 PM
06/17/26 PM
06/14/26 PM
06/11/26 PM
06/08/26 PM
06/05/26 PM
06/02/26 PM
05/29/26 PM
05/26/26 PM
05/23/26 PM
05/20/26 PM
05/17/26 PM
05/14/26 PM
05/11/26 PM
05/08/26 PM
05/05/26 PM
05/02/26 PM
04/29/26 PM
04/26/26 PM
04/23/26 PM
04/20/26 PM
04/17/26 PM
04/14/26 PM
04/11/26 PM
04/08/26 PM
04/05/26 PM
04/02/26 PM
03/29/26 PM
03/26/26 PM
03/23/26 PM
03/20/26 PM
03/17/26 PM
03/14/26 PM
03/11/26 PM
03/08/26 PM
03/05/26 PM
03/02/26 PM
02/29/26 PM
02/26/26 PM
02/23/26 PM
02/20/26 PM
02/17/26 PM
02/14/26 PM
02/11/26 PM
02/08/26 PM
02/05/26 PM
02/02/26 PM
01/29/26 PM
01/26/26 PM
01/23/26 PM
01/20/26 PM
01/17/26 PM
01/14/26 PM
01/11/26 PM
01/08/26 PM
01/05/26 PM
01/02/26 PM
12/29/25 PM
12/26/25 PM
12/23/25 PM
12/20/25 PM
12/17/25 PM
12/14/25 PM
12/11/25 PM
12/08/25 PM
12/05/25 PM
12/02/25 PM
11/29/25 PM
11/26/25 PM
11/23/25 PM
11/20/25 PM
11/17/25 PM
11/14/25 PM
11/11/25 PM
11/08/25 PM
11/05/25 PM
11/02/25 PM
10/29/25 PM
10/26/25 PM
10/23/25 PM
10/20/25 PM
10/17/25 PM
10/14/25 PM
10/11/25 PM
10/08/25 PM
10/05/25 PM
10/02/25 PM
09/29/25 PM
09/26/25 PM
09/23/25 PM
09/20/25 PM
09/17/25 PM
09/14/25 PM
09/11/25 PM
09/08/25 PM
09/05/25 PM
09/02/25 PM
08/29/25 PM
08/26/25 PM
08/23/25 PM
08/20/25 PM
08/17/25 PM
08/14/25 PM
08/11/25 PM
08/08/25 PM
08/05/25 PM
08/02/25 PM
07/29/25 PM
07/26/25 PM
07/23/25 PM
07/20/25 PM
07/17/25 PM
07/14/25 PM
07/11/25 PM
07/08/25 PM
07/05/25 PM
07/02/25 PM
06/29/25 PM
06/26/25 PM
06/23/25 PM
06/20/25 PM
06/17/25 PM
06/14/25 PM
06/11/25 PM
06/08/25 PM
06/05/25 PM
06/02/25 PM
05/29/25 PM
05/26/25 PM
05/23/25 PM
05/20/25 PM
05/17/25 PM
05/14/25 PM
05/11/25 PM
05/08/25 PM
05/05/25 PM
05/02/25 PM
04/29/25 PM
04/26/25 PM
04/23/25 PM
04/20/25 PM
04/17/25 PM
04/14/25 PM
04/11/25 PM
04/08/25 PM
04/05/25 PM
04/02/25 PM
03/29/25 PM
03/26/25 PM
03/23/25 PM
03/20/25 PM
03/17/25 PM
03/14/25 PM
03/11/25 PM
03/08/25 PM
03/05/25 PM
03/02/25 PM
02/29/25 PM
02/26/25 PM
02/23/25 PM
02/20/25 PM
02/17/25 PM
02/14/25 PM
02/11/25 PM
02/08/25 PM
02/05/25 PM
02/02/25 PM
01/29/25 PM
01/26/25 PM
01/23/25 PM
01/20/25 PM
01/17/25 PM
01/14/25 PM
01/11/25 PM
01/08/25 PM
01/05/25 PM
01/02/25 PM
12/29/24 PM
12/26/24 PM
12/23/24 PM
12/20/24 PM
12/17/24 PM
12/14/24 PM
12/11/24 PM
12/08/24 PM
12/05/24 PM
12/02/24 PM
11/29/24 PM
11/26/24 PM
11/23/24 PM
11/20/24 PM
11/17/24 PM
11/14/24 PM
11/11/24 PM
11/08/24 PM
11/05/24 PM
11/02/24 PM
10/29/24 PM
10/26/24 PM
10/23/24 PM
10/20/24 PM
10/17/24 PM
10/14/24 PM
10/11/24 PM
10/08/24 PM
10/05/24 PM
10/02/24 PM
09/29/24 PM
09/26/24 PM
09/23/24 PM
09/20/24 PM
09/17/24 PM
09/14/24 PM
09/11/24 PM
09/08/24 PM
09/05/24 PM
09/02/24 PM
08/29/24 PM
08/26/24 PM
08/23/24 PM
08/20/24 PM
08/17/24 PM
08/14/24 PM
08/11/24 PM
08/08/24 PM
08/05/24 PM
08/02/24 PM
07/29/24 PM
07/26/24 PM
07/23/24 PM
07/20/24 PM
07/17/24 PM
07/14/24 PM
07/11/24 PM
07/08/24 PM
07/05/24 PM
07/02/24 PM
06/29/24 PM
06/26/24 PM
06/23/24 PM
06/20/24 PM
06/17/24 PM
06/14/24 PM
06/11/24 PM
06/08/24 PM
06/05/24 PM
06/02/24 PM
05/29/24 PM
05/26/24 PM
05/23/24 PM
05/20/24 PM
05/17/24 PM
05/14/24 PM
05/11/24 PM
05/08/24 PM
05/05/24 PM
05/02/24 PM
04/29/24 PM
04/26/24 PM
04/23/24 PM
04/20/24 PM
04/17/24 PM
04/14/24 PM
04/11/24 PM
04/08/24 PM
04/05/24 PM
04/02/24 PM
03/29/24 PM
03/26/24 PM
03/23/24 PM
03/20/24 PM
03/17/24 PM
03/14/24 PM
03/11/24 PM
03/08/24 PM
03/05/24 PM
03/02/24 PM
02/29/24 PM
02/26/24 PM
02/23/24 PM
02/20/24 PM
02/17/24 PM
02/14/24 PM
02/11/24 PM
02/08/24 PM
02/05/24 PM
02/02/24 PM
01/29/24 PM
01/26/24 PM
01/23/24 PM
01/20/24 PM
01/17/24 PM
01/14/24 PM
01/11/24 PM
01/08/24 PM
01/05/24 PM
01/02/24 PM
12/29/23 PM
12/26/23 PM
12/23/23 PM
12/20/23 PM
12/17/23 PM
12/14/23 PM
12/11/23 PM
12/08/23 PM
12/05/23 PM
12/02/23 PM
11/29/23 PM
11/26/23 PM
11/23/23 PM
11/20/23 PM
11/17/23 PM
11/14/23 PM
11/11/23 PM
11/08/23 PM
11/05/23 PM
11/02/23 PM
10/29/23 PM
10/26/23 PM
10/23/23 PM
10/20/23 PM
10/17/23 PM
10/14/23 PM
10/11/23 PM
10/08/23 PM
10/05/23 PM
10/02/23 PM
09/29/23 PM
09/26/23 PM
09/23/23 PM
09/20/23 PM
09/17/23 PM
09/14/23 PM
09/11/23 PM
09/08/23 PM
09/05/23 PM
09/02/23 PM
08/29/23 PM
08/26/23 PM
08/23/23 PM
08/20/23 PM
08/17/23 PM
08/14/23 PM
08/11/23 PM
08/08/23 PM
08/05/23 PM
08/02/23 PM
07/29/23 PM
07/26/23 PM
07/23/23 PM
07/20/23 PM
07/17/23 PM
07/14/23 PM
07/11/23 PM
07/08/23 PM
07/05/23 PM
07/02/23 PM
06/29/23 PM
06/26/23 PM
06/23/23 PM
06/20/23 PM
06/17/23 PM
06/14/23 PM
06/11/23 PM
06/08/23 PM
06/05/23 PM
06/02/23 PM
05/29/23 PM
05/26/23 PM
05/23/23 PM
05/20/23 PM
05/17/23 PM
05/14/23 PM
05/11/23 PM
05/08/23 PM
05/05/23 PM
05/02/23 PM
04/29/23 PM
04/26/23 PM
04/23/23 PM
04/20/23 PM
04/17/23 PM
04/14/23 PM
04/11/23 PM
04/08/23 PM
04/05/23 PM
04/02/23 PM
03/29/23 PM
03/26/23 PM
03/23/23 PM
03/20/23 PM
03/17/23 PM
03/14/23 PM
03/11/23 PM
03/08/23 PM
03/05/23 PM
03/02/23 PM
02/29/23 PM
02/26/23 PM
02/23/23 PM
02/20/23 PM
02/17/23 PM
02/14/23 PM
02/11/23 PM
02/08/23 PM
02/05/23 PM
02/02/23 PM
01/29/23 PM
01/26/23 PM
01/23/23 PM
01/20/23 PM
01/17/23 PM
01/14/23 PM
01/11/23 PM
01/08/23 PM
01/05/23 PM
01/02/23 PM
12/29/22 PM
12/26/22 PM
12/23/22 PM
12/20/22 PM
12/17/22 PM
12/14/22 PM
12/11/22 PM
12/08/22 PM
12/05/22 PM
12/02/22 PM
11/29/22 PM
11/26/22 PM
11/23/22 PM
11/20/22 PM
11/17/22 PM
11/14/22 PM
11/11/22 PM
11/08/22 PM
11/05/22 PM
11/02/22 PM
10/29/22 PM
10/26/22 PM
10/23/22 PM
10/20/22 PM
10/17/22 PM
10/14/22 PM
10/11/22 PM
10/08/22 PM
10/05/22 PM
10/02/22 PM
09/29/22 PM
09/26/22 PM
09/23/22 PM
09/20/22 PM
09/17/22 PM
09/14/22 PM
09/11/22 PM
09/08/22 PM
09/05/22 PM
09/02/22 PM
08/29/22 PM
08/26/22 PM
08/23/22 PM
08/20/22 PM
08/17/22 PM
08/14/22 PM
08/11/22 PM
08/08/22 PM
08/05/22 PM
08/02/22 PM
07/29/22 PM
07/26/22 PM
07/23/22 PM
07/20/22 PM
07/17/22 PM
07/14/22 PM
07/11/22 PM
07/08/22 PM
07/05/22 PM
07/02/22 PM
06/29/22 PM
06/26/22 PM
06/23/22 PM
06/20/22 PM
06/17/22 PM
06/14/22 PM
06/11/22 PM
06/08/22 PM
06/05/22 PM
06/02/22 PM
05/29/22 PM
05/26/22 PM
05/23/22 PM
05/20/22 PM
05/17/22 PM
05/14/22 PM
05/11/22 PM
05/08/22 PM
05/05/22 PM
05/02/22 PM
04/29/22 PM
04/26/22 PM
04/23/22 PM
04/20/22 PM
04/17/22 PM
04/14/22 PM
04/11/22 PM
04/08/22 PM
04/05/22 PM
04/02/22 PM
03/29/22 PM
03/26/22 PM
03/23/22 PM
03/20/22 PM
03/17/22 PM
03/14/22 PM
03/11/22 PM
03/08/22 PM
03/05/22 PM
03/02/22 PM
02/29/22 PM
02/26/22 PM
02/23/22 PM
02/20/22 PM
02/17/22 PM
02/14/22 PM
02/11/22 PM
02/08/22 PM
02/05/22 PM
02/02/22 PM
01/29/22 PM
01/26/22 PM
01/23/22 PM
01/20/22 PM
01/17/22 PM
01/14/22 PM
01/11/22 PM
01/08/22 PM
01/05/22 PM
01/02/22 PM
12/29/21 PM
12/26/21 PM
12/23/21 PM
12/20/21 PM
12/17/21 PM
12/14/21 PM
12/11/21 PM
12/08/21 PM
12/05/21 PM
12/02/21 PM
11/29/21 PM
11/26/21 PM
11/23/21 PM
11/20/21 PM
11/17/21 PM
11/14/21 PM
11/11/21 PM
11/08/21 PM
11/05/21 PM
11/02/21 PM
10/29/21 PM
10/26/21 PM
10/23/21 PM
10/20/21 PM
10/17/21 PM
10/14/21 PM
10/11/21 PM
10/08/21 PM
10/05/21 PM
10/02/21 PM
09/29/21 PM
09/26/21 PM
09/23/21 PM
09/20/21 PM
09/17/21 PM
09/14/21 PM
09/11/21 PM
09/08/21 PM
09/05/21 PM
09/02/21 PM
08/29/21 PM
08/26/21 PM
08/23/21 PM
08/20/21 PM
08/17/21 PM
08/14/21 PM
08/11/21 PM
08/08/21 PM
08/05/21 PM
08/02/21 PM
07/29/21 PM
07/26/21 PM
07/23/21 PM
07/20/21 PM
07/17/21 PM
07/14/21 PM
07/11/21 PM
07/08/21 PM
07/05/21 PM
07/02/21 PM
06/29/21 PM
06/26/21 PM
06/23/21 PM
06/20/21 PM
06/17/21 PM
06/14/21 PM
06/11/21 PM
06/08/21 PM
06/05/21 PM
06/02/21 PM
05/29/21 PM
05/26/21 PM
05/23/21 PM
05/20/21 PM
05/17/21 PM
05/14/21 PM
05/11/21 PM
05/08/21 PM
05/05/21 PM
05/02/21 PM
04/29/21 PM
04/26/21 PM
04/23/21 PM
04/20/21 PM
04/17/21 PM
04/14/21 PM
04/11/21 PM
04/08/21 PM
04/05/21 PM
04/02/21 PM
03/29/21 PM
03/26/21 PM
03/23/21 PM
03/20/21 PM
03/17/21 PM
03/14/21 PM
03/11/21 PM
03/08/21 PM
03/05/21 PM
03/02/21 PM
02/29/21 PM
02/26/21 PM
02/23/21 PM
02/20/21 PM
02/17/21 PM
02/14/21 PM
02/11/21 PM
02/08/21 PM
02/05/21 PM
02/02/21 PM
01/29/21 PM
01/26/21 PM
01/23/21 PM
01/20/21 PM
01/17/21 PM
01/14/21 PM
01/11/21 PM
01/08/21 PM
01/05/21 PM
01/02/21 PM
12/29/20 PM
12/26/20 PM
12/23/20 PM
12/20/20 PM
12/17/20 PM
12/14/20 PM
12/11/20 PM
12/08/20 PM
12/05/20 PM
12/02/20 PM
11/29/20 PM
11/26/20 PM
11/23/20 PM
11/20/20 PM
11/17/20 PM
11/14/20 PM
11/11/20 PM
11/08/20 PM
11/05/20 PM
11/02/20 PM
10/29/20 PM
10/26/20 PM
10/23/20 PM
10/20/20 PM
10/17/20 PM
10/14/20 PM
10/11/20 PM
10/08/20 PM
10/05/20 PM
10/02/20 PM
09/29/20 PM
09/26/20 PM
09/23/20 PM
09/20/20 PM
09/17/20 PM
09/14/20 PM
09/11/20 PM
09/08/20 PM
09/05/20 PM
09/02/20 PM
08/29/20 PM
08/26/20 PM
08/23/20 PM
08/20/20 PM
08/17/20 PM
08/14/20 PM
08/11/20 PM
08/08/20 PM
08/05/20 PM
08/02/20 PM
07/29/20 PM
07/26/20 PM
07/23/20 PM
07/20/20 PM
07/17/20 PM
07/14/20 PM
07/11/20 PM
07/08/20 PM
07/05/20 PM
07/02/20 PM
06/29/20 PM
06/26/20 PM
06/23/20 PM
06/20/20 PM
06/17/20 PM
06/14/20 PM
06/11/20 PM
06/08/20 PM
06/05/20 PM
06/02/20 PM
05/29/20 PM
05/26/20 PM
05/23/20 PM
05/20/20 PM
05/17/20 PM
05/14/20 PM
05/11/20 PM
05/08/20 PM
05/05/20 PM
05/02/20 PM
04/29/20 PM
04/26/20 PM
04/23/20 PM
04/20/20 PM
04/17/20 PM
04/14/20 PM
04/11/20 PM
04/08/20 PM
04/05/20 PM
04/02/20 PM
03/29/20 PM
03/26/20 PM
03/23/20 PM
03/20/20 PM
03/17/20 PM
03/14/20 PM
03/11/20 PM
03/08/20 PM
03/05/20 PM
03/02/20 PM
02/29/20 PM
02/26/20 PM
02/23/20 PM
02/20/20 PM
02/17/20 PM
02/14/20 PM
02/11/20 PM
02/08/20 PM
02/05/20 PM
02/02/20 PM
01/29/20 PM
01/26/20 PM
01/23/20 PM
01/20/20 PM
01/17/20 PM
01/14/20 PM
01/11/20 PM
01/08/20 PM
01/05/20 PM
01/02/20 PM
12/29/19 PM
12/26/19 PM
12/23/19 PM
12/20/19 PM
12/17/19 PM
12/14/19 PM
12/11/19 PM
12/08/19 PM
12/05/19 PM
12/02/19 PM
11/29/19 PM
11/26/19 PM
11/23/19 PM
11/20/19 PM
11/17/19 PM
11/14/19 PM
11/11/19 PM
11/08/19 PM
11/05/19 PM
11/02/19 PM
10/29/19 PM
10/26/19 PM
10/23/19 PM
10/20/19 PM
10/17/19 PM
10/14/19 PM
10/11/19 PM
10/08/19 PM
10/05/19 PM
10/02/19 PM
09/29/19 PM
09/26/19 PM
09/23/19 PM
09/20/19 PM
09/17/19 PM
09/14/19 PM
09/11/19 PM
09/08/19 PM
09/05/19 PM
09/02/19 PM
08/29/19 PM
08/26/19 PM
08/23/19 PM
08/20/19 PM
08/17/19 PM
08/14/19 PM
08/11/19 PM
08/08/19 PM
08/05/19 PM
08/02/19 PM
07/29/19 PM
07/26/19 PM
07/23/19 PM
07/20/19 PM
07/17/19 PM
07/14/19 PM
07/11/19 PM
07/08/19 PM
07/05/19 PM
07/02/19 PM
06/29/19 PM
06/26/19 PM
06/23/19 PM
06/20/19 PM
06/17/19 PM
06/14/19 PM
06/11/19 PM
06/08/19 PM
06/05/19 PM
06/02/19 PM
05/29/19 PM
05/26/19 PM
05/23/19 PM
05/20/19 PM
05/17/19 PM
05/14/19 PM
05/11/19 PM
05/08/19 PM
05/05/19 PM
05/02/19 PM
04/29/19 PM
04/26/19 PM
04/23/19 PM
04/20/19 PM
04/17/19 PM
04/14/19 PM
04/

ROADWAY STANDARD DRAWINGS

THE FOLLOWING ROADWAY STANDARDS AS APPEAR IN "ROADWAY STANDARD DRAWINGS" - N.C. DEPARTMENT OF TRANSPORTATION - RALEIGH, N.C., DATED JANUARY 2024 ARE APPLICABLE TO THIS PROJECT AND BY REFERENCE HEREBY ARE CONSIDERED A PART OF THESE PLANS:

STD.NO.	TITLE
1101.01	WORK ZONE WARNING SIGNS
1101.02	TEMPORARY LANE CLOSURES
1101.04	TEMPORARY SHOULDER CLOSURES
1101.11	TRAFFIC CONTROL DESIGN TABLES
1110.02	PORTABLE WORK ZONE SIGNS
1115.01	FLASHING ARROW BOARDS
1130.01	DRUMS
1165.01	TRUCK MOUNTED ATTENUATOR

GENERAL NOTES

CHANGES MAY BE REQUIRED WHEN PHYSICAL DIMENSIONS IN THE DETAIL DRAWINGS, STANDARD DETAILS, AND ROADWAY DETAILS ARE NOT ATTAINABLE TO MEET FIELD CONDITIONS OR RESULT IN DUPLICATE OR UNDESIRED OVERLAPPING OF DEVICES. MODIFICATION MAY INCLUDE: MOVING, SUPPLEMENTING, COVERING, OR REMOVAL OF DEVICES AS DIRECTED BY THE ENGINEER.

THE FOLLOWING GENERAL NOTES APPLY AT ALL TIMES FOR THE DURATION OF THE CONSTRUCTION PROJECT EXCEPT WHEN OTHERWISE NOTED IN THE PLAN OR DIRECTED BY THE ENGINEER.

TIME RESTRICTIONS

- A) TRAFFIC SHALL BE MAINTAINED AT ALL TIMES. ALL LANES OF TRAFFIC ARE TO BE OPEN DURING THE HOURS OF 7:00 A.M. TO 9:00 A.M. AND FROM 4:00 P.M. TO 6:00 P.M. MONDAY THROUGH FRIDAY, DURING ANY TIME OF INCLEMENT WEATHER, OR AS DIRECTED BY THE NCDOT DISTRICT ENGINEER. ANY VIOLATION OF THESE HOURS WILL RESULT IN CEASING ANY FURTHER CONSTRUCTION BY THE ENCROACHING PARTY OR THEIR CONTRACTOR. IN ADDITION, THE CONTRACTOR SHALL NOT CLOSE OR NARROW A LANE OF TRAFFIC ON ANY ROAD, DETAIN AND/OR ALTER THE TRAFFIC FLOW ON OR DURING HOLIDAYS, HOLIDAY WEEKENDS, SPECIAL EVENTS, LOCAL FESTIVALS, OR ANY OTHER TIME WHEN TRAFFIC IS UNUSUALLY HEAVY.

LANE AND SHOULDER CLOSURE REQUIREMENTS

- B) REMOVE LANE CLOSURE DEVICES FROM THE LANE WHEN WORK IS NOT BEING PERFORMED BEHIND THE LANE CLOSURE OR WHEN A LANE CLOSURE IS NO LONGER NEEDED OR AS DIRECTED BY THE ENGINEER.
- C) WHEN PERSONNEL AND/OR EQUIPMENT ARE WORKING WITHIN 15 FT OF AN OPEN TRAVEL LANE, CLOSE THE NEAREST OPEN SHOULDER USING ROADWAY STANDARD DRAWING NO. 1101.04 UNLESS THE WORK AREA IS PROTECTED BY BARRIER OR GUARDRAIL OR A LANE CLOSURE IS INSTALLED.
- D) WHEN PERSONNEL AND/OR EQUIPMENT ARE WORKING ON THE SHOULDER ADJACENT TO AN UNDIVIDED FACILITY AND WITHIN 5 FT OF AN OPEN TRAVEL LANE, CLOSE THE NEAREST OPEN TRAVEL LANE USING ROADWAY STANDARD DRAWING NO. 1101.02 UNLESS THE WORK AREA IS PROTECTED BY BARRIER OR GUARDRAIL.
- E) NOTIFY THE NCDOT STATEWIDE TRANSPORTATION OPERATIONS CENTER (STOC) AT 877-627-7862 APPROXIMATELY 30 MINUTES PRIOR TO INSTALLING AND WITHIN 15 MINUTES AFTER REMOVING LANE CLOSURES ON INTERSTATES, FREEWAYS, CONTROLLED ACCESS FACILITIES, AND US ROUTES.
- F) NOTIFY THE DIVISION 14 - DISTRICT 2 OFFICE AT 828-558-6260 OR AT D14-D2_PERMITS@NCDOT.GOV PRIOR TO STARTING CONSTRUCTION TO SCHEDULE A PRECONSTRUCTION MEETING WITH NCDOT TO DISCUSS TRAFFIC CONTROL AND LOGISTICS.

SIGNING


- G) ENSURE ALL NECESSARY SIGNING IS IN PLACE PRIOR TO ALTERING ANY TRAFFIC PATTERN.

STATE OF NORTH CAROLINA
DEPARTMENT OF PUBLIC SAFETY

HAYWOOD COUNTY

LOCATION: BRIDGE OVER HOMINY CREEK ON SCOTT DRIVE

TRAFFIC CONTROL PLANS
STANDARDS, GENERAL NOTES, AND PHASING

PROJECT REFERENCE NO. 044-01-eq41a	SHEET NO. 1
RW SHEET NO.	
ROADWAY DESIGN ENGINEER NORTH CAROLINA PROFESSIONAL SEAL 045664 MATT ARMSTRONG ENGINEER 2025	
DOCUMENT NOT CONSIDERED FINAL UNLESS ALL SIGNATURES COMPLETED	
Plans Prepared For: DIVISION OF EMERGENCY MANAGEMENT 1636 Gold Star Dr, Raleigh, NC 27607	
JOHN ABEL, PE NCEM CONTACT - GFT PROJECT ENGINEER	
Plans Prepared in the Office of:  KCI ASSOCIATES OF N.C., P.A. 4800 Falls of Neuse Road, Suite 200 Raleigh, NC 27609-6270 Phone (919) 783-9214 NC Firm License No: C-0764	
ROB F. DECOLA, PE KCI PROJECT MANAGER	
MATT ARMSTRONG, PE KCI PROJECT DESIGN ENGINEER	

PHASING

WHEN PERSONNEL AND/OR EQUIPMENT ARE WORKING ON THE SHOULDER ADJACENT TO AN UNDIVIDED FACILITY AND WITHIN 5 FT OF AN OPEN TRAVEL LANE, CLOSE THE NEAREST OPEN TRAVEL LANE USING ROADWAY STANDARD DRAWING NO. 1101.02 SHEET 7 OF 19, GENERAL NOTE (1) WHICH REFERENCES NO. 1101.02 SHEET 3 OF 19.

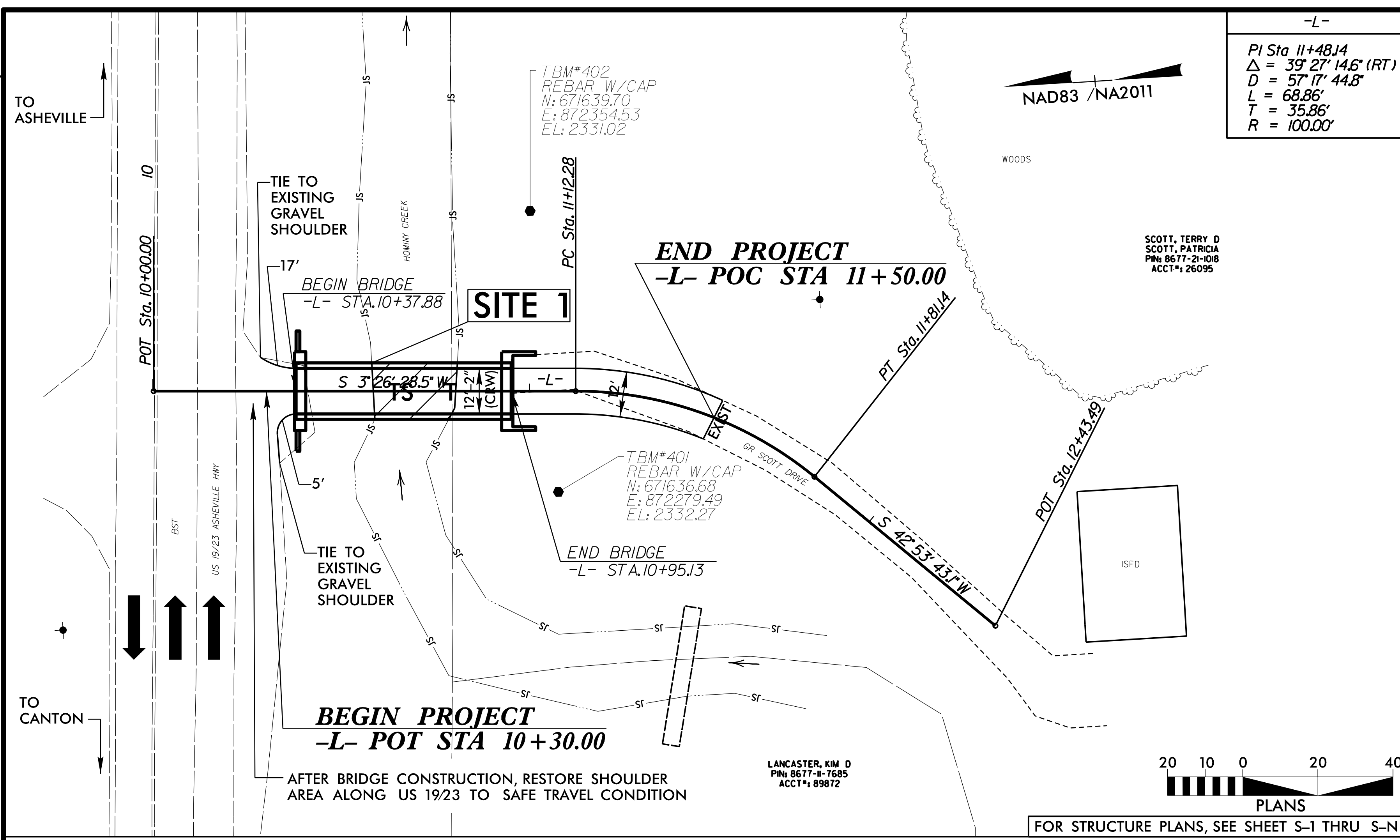
WHEN INSTALLING LANE CLOSURE PER ROADWAY STANDARD DRAWING NO 1101.02 SHEET 3 OF 19, USE SHIFTING TAPER LENGTH INSTEAD OF MERGE TAPER LENGTH FROM ROADWAY STANDARD DRAWING NO 1101.11 SHEET OF 1 OF 4, BEGIN SHIFTING TAPER WHERE THE SECOND EASTBOUND LANE IS INTRODUCED.

REVISIONS

1:35:25 PM
eod1a_TCP_sheet.dgn
Division

8/17/99

REVISIONS



-L-
 PI Sta 11+48J4
 $\Delta = 39^\circ 27' 14.6'' (RT)$
 $D = 57' 17'' 44.8''$
 $L = 68.86'$
 $T = 35.86'$
 $R = 100.00'$

STATE OF NORTH CAROLINA
 DEPARTMENT OF PUBLIC SAFETY
HAYWOOD COUNTY
 LOCATION: BRIDGE OVER HOMINY CREEK ON SCOTT DRIVE

TS TS TEMPORARY SURFACE WATER IMPACTS

PROJECT REFERENCE NO. 044-01-ea41a	SHEET NO. 1
RW SHEET NO.	
DOCUMENT NOT CONSIDERED FINAL UNLESS ALL SIGNATURES COMPLETED	
Plans Prepared For: DIVISION OF EMERGENCY MANAGEMENT 1636 Gold Star Dr, Raleigh, NC 27607	
Plans Prepared In the Office of: JOHN ABEL, PE NCEM CONTACT - GFT PROJECT ENGINEER	
KCI ASSOCIATES OF N.C., P.A. 4800 Falls of Neuse Road, Suite 200 Raleigh, NC 27609-6270 Phone (919) 783-9214 NC Firm License No: C-0764	
ROB F. DECOLA, PE KCI PROJECT MANAGER	
MATT ARMSTRONG, PE KCI PROJECT DESIGN ENGINEER	

FOR STRUCTURE PLANS, SEE SHEET S-1 THRU S-N

WETLAND AND SURFACE WATER IMPACTS SUMMARY													
Site No.	Station (From/To)	Structure Size / Type	WETLAND IMPACTS					SURFACE WATER IMPACTS					
			Permanent Fill In Wetlands (ac)	Temp. Fill In Wetlands (ac)	Excavation in Wetlands (ac)	Mechanized Clearing in Wetlands (ac)	Hand Clearing in Wetlands (ac)	Permanent SW impacts (ac)	Temp. SW impacts (ac)	Existing Channel Impacts Permanent (ft)	Existing Channel Impacts Temp. (ft)	Natural Stream Design (ft)	
1	L 10+30 TO 10+95	BRIDGE								< 0.01		15	
TOTALS*										< 0.01	0	15	0

*Rounded totals are sum of actual impacts

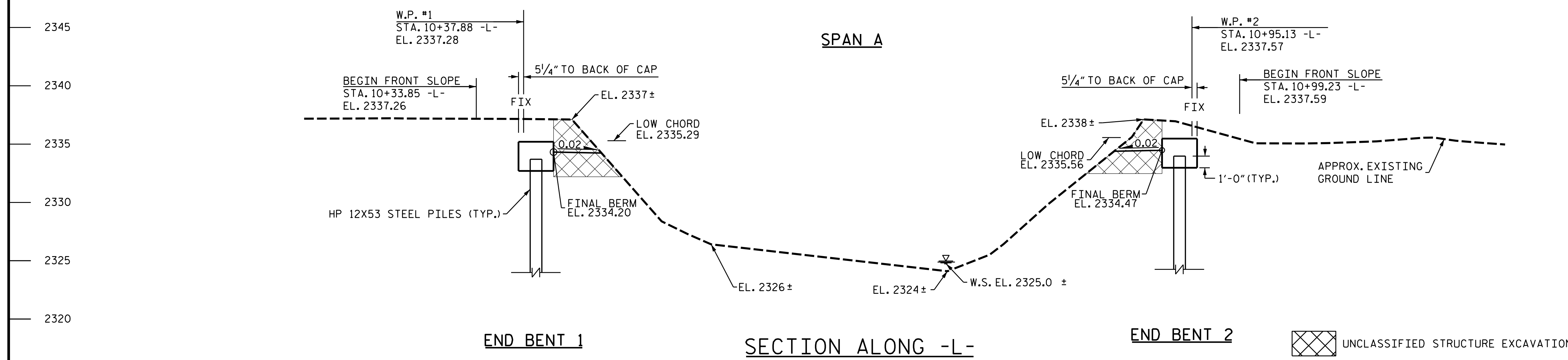
NOTES:

NC DEPARTMENT OF TRANSPORTATION
 DIVISION OF HIGHWAYS
 10/31/2025
 Haywood
 044-01-ea41a
 044-01-ea41a
 SHEET 1 OF 1

I44414 PM
 ea41a_impact_pf1_sheet.dgn
 Division

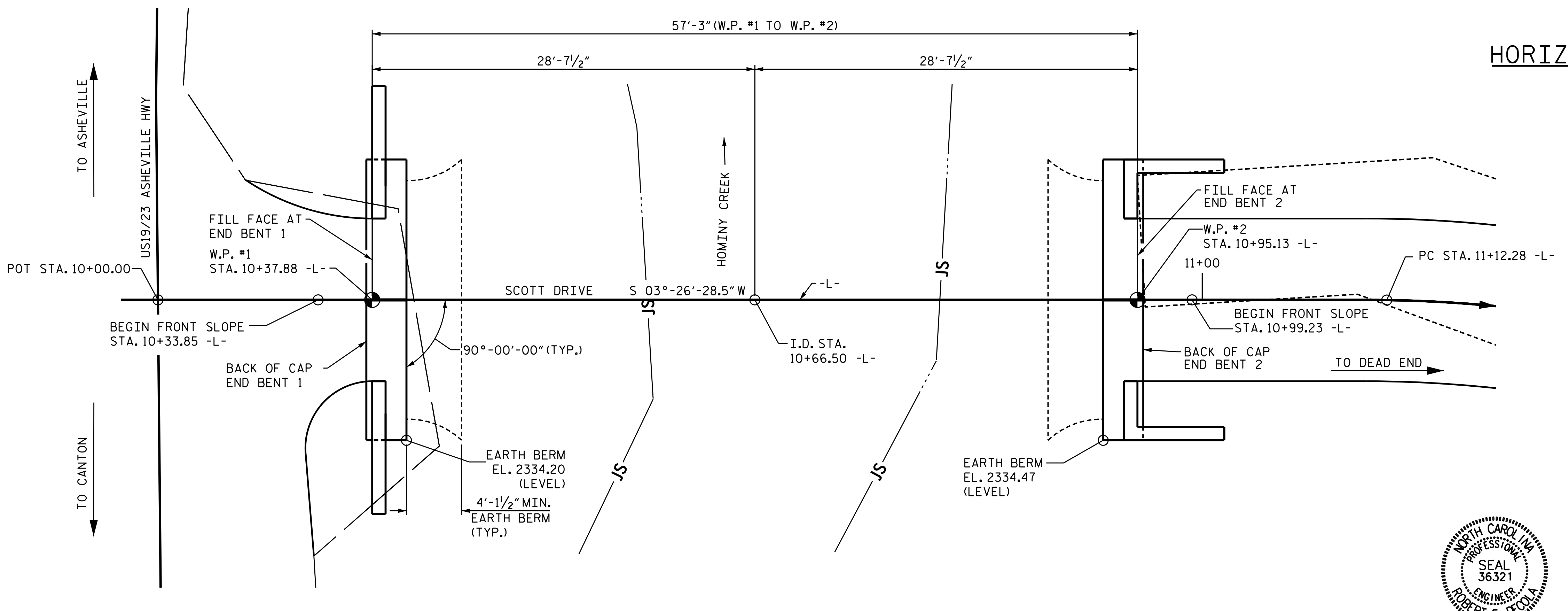
10+00 10+50 11+00 11+50

(+10.5000% Δ (-)8.6537%)
 PI = 11+10.00 -L-
 EL. = 2,337.64'
 VC = 20.00'
VERTICAL CURVE DATA -L-

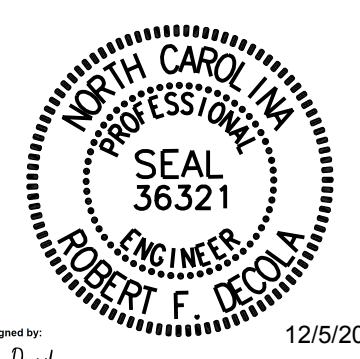


HORIZONTAL CURVE DATA -L-

PI STA. = 11+48.14 -L-
 Δ = 39°-27'-14.6" (RT)
 D = 57°-17'-44.8"
 L = 68.86'
 T = 35.86'
 R = 100.00'



PROJECT NO. 044-01-EA41A
 HAYWOOD COUNTY
 STATION: 10+66.50 -L-
 SHEET 1 OF 4



DESIGN ENGINEER OF RECORD: Robert Decola	DATE : 12/5/2025
DRAWN BY : V.L. MUMMA	DATE : 10/20/2025
CHECKED BY : M.G. ARMSTRONG	DATE : 10/20/2025

DOCUMENT NOT CONSIDERED FINAL UNLESS ALL SIGNATURES COMPLETED

KCI Associates
 of North Carolina, P.A.
 4200 Falls of House Road, Suite 200 Raleigh, NC 27609-6270 Phone (919) 785-9244

REVISIONS				SHEET NO.	
NO.	BY:	DATE:	NO.	BY:	DATE:
1			3		
2			4		

TOTAL SHEETS: 16

pww/kci-pw.dentley.com/kci-pw-05/Documents/Projects/2024/00052205.03/2 Working/Structures/Drawings/2.Final/402.001.edf1a.cd.001.dgn
 12/5/2025 9:04:41 AM Robert F. Decola
 KCI PROJ. #221601946.09G



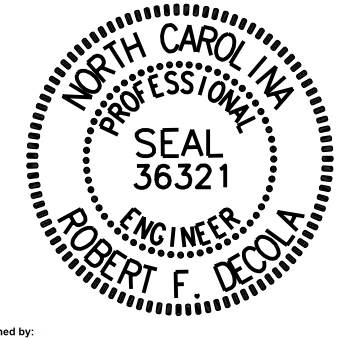
FOUNDATION LAYOUT

(DIMENSIONS LOCATING PILES ARE SHOWN TO CENTERLINE OF PILES)

FOUNDATION NOTES:

- FOR PILES, SEE SECTION 450 OF THE STANDARD SPECIFICATIONS.
- SUBSURFACE DATA IS NOT AVAILABLE AT END BENT NO. 2. PILE LENGTHS ARE BASED ON THE END BENT NO. 1 BORING. PILE LENGTHS AT END BENT NO. 2 MAY VARY FROM THE ESTIMATED AVERAGE PILE LENGTH PROVIDED.

PROJECT NO. 044-01-EA41A
HAYWOOD COUNTY
 STATION: 10+66.50 -L-
 SHEET 2 OF 4



STATE OF NORTH CAROLINA
 DEPARTMENT OF PUBLIC SAFETY
 RALEIGH
 GENERAL DRAWING
 BRIDGE ON SCOTT DR
 OVER HOMINY CREEK
 BETWEEN US 19/23 (ASHEVILLE HWY)
 AND DEAD END

DESIGN ENGINEER OF RECORD: Robert Decola	DATE : 12/5/2025
DRAWN BY : V.L. MUMMA	DATE : 10/20/25
CHECKED BY : M.G. ARMSTRONG	DATE : 10/20/25

**DOCUMENT NOT CONSIDERED FINAL
UNLESS ALL SIGNATURES COMPLETED**

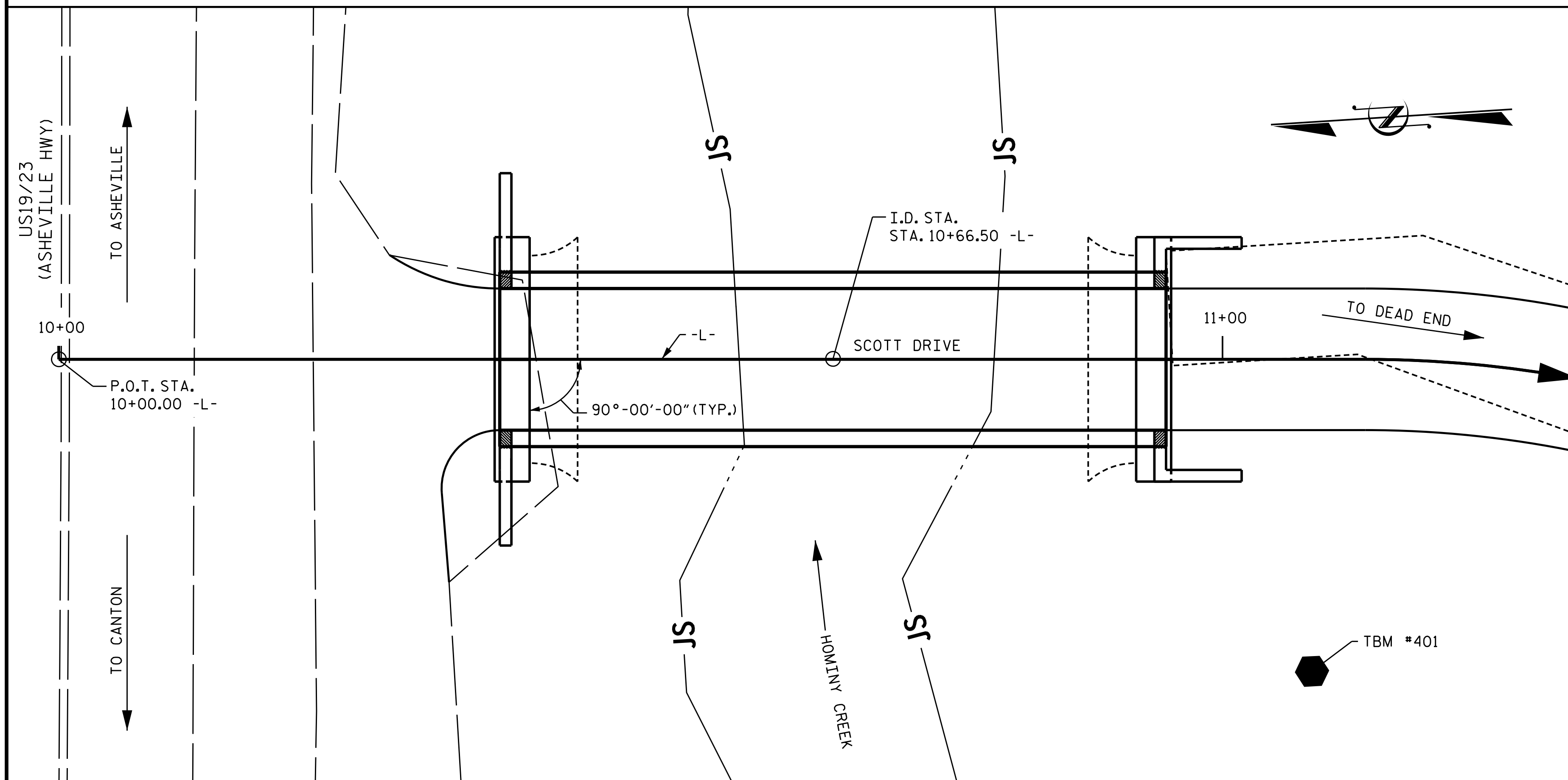


REVISIONS				SHEET NO.	
NO.	BY:	DATE:	NO.	BY:	DATE:
1			3		
2			4		

TOTAL SHEETS	16
SHEET NO.	S-02

pww/kci-pw.dentley.com/kci-pw-05/Documents/Projects/2024/00052205.03/2 Working/Structures/Drawings/2.Final/402.003.ed1to_FL_002.dgn
 12/5/2025 9:05:10 AM Robert F. Decola
 KCI PROJ. #221601946.09C
 Structures.tbl
 KCI_Bridge_PDF.ncplot.ctb

TBM #401 - REBAR W/ CAP -L- STA. 11+07.69 -EL-, 26.81' RT N 671636.68 E 872279.49, EL 2332.27 NAVD 88



LOCATION SKETCH

NOTES:

- ASSUMED LIVE LOAD = HL-93 OR ALTERNATE LOADING.
- THIS BRIDGE HAS BEEN DESIGNED IN ACCORDANCE WITH THE AASHTO LRFD BRIDGE DESIGN SPECIFICATIONS.
- THIS BRIDGE IS LOCATED IN SEISMIC ZONE 1.
- FOR OTHER DESIGN DATA AND GENERAL NOTES, SEE SHEET SN.
- FOR SUBMITTAL OF WORKING DRAWINGS, SEE SPECIAL PROVISIONS.
- FOR FALSEWORK AND FORMWORK, SEE SPECIAL PROVISIONS.
- FOR CRANE SAFETY, SEE SPECIAL PROVISIONS.
- FOR GROUT FOR STRUCTURES, SEE SPECIAL PROVISIONS.
- THIS STRUCTURE HAS BEEN DESIGNED IN ACCORDANCE WITH "HEC 18 - EVALUATING SCOUR AT BRIDGES."
- FOR EROSION CONTROL MEASURES, SEE EROSION CONTROL PLANS.

ROUTINE INSPECTIONS AND MAINTENANCE:

DISCLAIMER: THESE RECOMMENDATIONS ARE INTENDED AS A GENERAL GUIDE FOR PRIVATE BRIDGE OWNERS. IT IS NOT A COMPREHENSIVE CHECKLIST AND DOES NOT REPLACE INSPECTION OR REPAIR GUIDANCE FROM A QUALIFIED ENGINEER. IF YOU OBSERVE UNUSUAL MOVEMENT, DEFLECTION, CRACKING, DETERIORATION, AND/OR ANY STRUCTURAL CONCERN OR SAFETY RELATED ISSUE, CLOSE THIS BRIDGE TO TRAFFIC IMMEDIATELY AND CONSULT A PROFESSIONAL ENGINEER REGISTERED IN THE STATE OF NORTH CAROLINA.

KEEP A MAINTENANCE LOG TO TRACK INSPECTION DATES, OBSERVATIONS, AND ANY WORK PERFORMED. ADDRESS MINOR ISSUES EARLY TO PREVENT FUTURE COSTLY REPAIRS.

BRIDGE INSPECTION PERFORMED BY A CERTIFIED BRIDGE INSPECTOR IS RECOMMENDED ON THE FOLLOWING INTERVALS:

- YEAR 0-10: INSPECT EVERY 5 YEARS
- YEAR 10-20: INSPECT EVERY 4 YEARS
- YEAR 20-30: INSPECT EVERY 3 YEARS
- YEAR 30+: INSPECT EVERY 2 YEARS

IF DETERIORATION IS NOTED IN INSPECTIONS, ACCELERATE INSPECTION FREQUENCY TO EVERY 2 YEARS.

PERFORM ADDITIONAL INSPECTIONS AFTER SEVERE STORMS, FLOODING, SEISMIC EVENTS, AND AFTER VEHICULAR IMPACTS.

REPAIR PRIORITY MAINTENANCE ITEMS NOTED IN INSPECTION REPORTS PROMPTLY

BETWEEN INSPECTIONS OBSERVE FOR CRACKS OR SPALLING IN CONCRETE OR RUST TO STEEL COMPONENT OR REINFORCEMENT, SOURING AT OR AROUND ABUTMENTS, DECK SURFACE WEAR, AND DAMAGE OR DETERIORATION TO CURBS.

REMOVE DEBRIS AND SEDIMENT FROM THE DECK AND CAP SURFACES TO PREVENT PONDING.

MAINTAIN GRAVEL WEARING SURFACE ON THE BRIDGE TO A MINIMUM OF 3" UNIFORM DEPTH. SHOULD THE TOPS OF PRESTRESSED CONCRETE GIRDERS BECOME EXPOSED FOR ANY REASON, CLOSE THE BRIDGE TO TRAFFIC AND REPLACE WEARING SURFACE AS SHOWN ON THE PLANS.

BEARINGS:

- REMOVE ANY DEBRIS, VEGETATION, OR SEDIMENT BUILDUP NEAR OR AROUND THE BEARINGS.
- INSPECT AND MAINTAIN BEARING PADS TO ENSURE THEY FUNCTION PROPERLY.
- CHECK FOR SIGNS OF ROTATION OR TRANSLATION.
- REPAIR OR REPLACE DETERIORATED COMPONENTS AS NEEDED UNDER THE GUIDANCE OF A PROFESSIONAL ENGINEER.

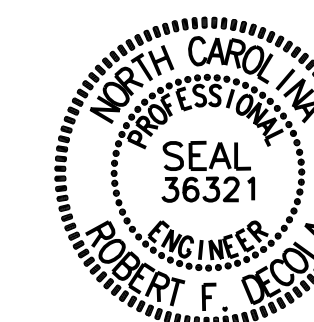
CAPS AND FOUNDATIONS:

- INSPECT FOR CRACKS, LOOSE CONNECTIONS, BENDING, SETTLEMENT, LEANING, OR EROSION.
- MAINTAIN PROPER SITE GRADING AND DRAINAGE TO PREVENT EROSION OR WATER DAMAGE.
- BACKFILL OR REINFORCE AREAS SHOWING SIGNS OF SCOUR OR SETTLEMENT.
- LOOK FOR SIGNS OF SCOUR. WHENEVER SCOUR IS PRESENT, USE STONE TO BACKFILL SCOURED AREAS AT OR AROUND THE SUBSTRUCTURE AND GRADE AS SHOWN ON THE PLANS.

TOTAL BILL OF MATERIAL											
	REMOVAL OF EXISTING STRUCTURE AT STA. 10+66.50	CLASS A CONCRETE	REINFORCING STEEL	PILE DRIVING EQUIPMENT SETUP FOR HP 12X53 STEEL PILES	HP 12X53 STEEL PILES		1'-5" X 1'-3" CONCRETE CURB	ELASTOMERIC BEARINGS	3'-0" X 1'-9" PRESTRESSED CONCRETE CORED SLABS		3'-0" X 2'-6" PRESTRESSED CONCRETE BENT CAPS
					NO.	LIN.FT.			NO.	LIN.FT.	
	LUMP SUM	CU.YDS.	LBS.	EA.	NO.	LIN.FT.	LIN.FT.	LUMP SUM	NO.	LIN.FT.	LIN.FT.
SUPERSTRUCTURE							110	LUMP SUM	5	275.00	
END BENT 1		2.3	141	4	4	60					21
END BENT 2		3.1	217	4	4	60					21
TOTAL	LUMP SUM	5.4	358	8	8	120	110	LUMP SUM	5	275.00	42

PROJECT NO. 044-01-EA41A
HAYWOOD COUNTY
 STATION: 10+66.50 -L-

SHEET 4 OF 4



12/5/2025

STATE OF NORTH CAROLINA
 DEPARTMENT OF PUBLIC SAFETY
 RALEIGH
GENERAL DRAWING
 BRIDGE ON SCOTT DR
 OVER HOMINY CREEK
 BETWEEN US 19/23 (ASHEVILLE HWY)
 AND DEAD END

REVISIONS						SHEET NO.
NO.	BY:	DATE:	NO.	BY:	DATE:	S-04
1			3			TOTAL SHEETS
2			4			16

**DOCUMENT NOT CONSIDERED FINAL
 UNLESS ALL SIGNATURES COMPLETED**



DESIGN ENGINEER OF RECORD: Robert Decola DATE: 12/5/2025
 DRAWN BY: V.L. MUMMA DATE: 10/20/25
 CHECKED BY: M.G. ARMSTRONG DATE: 10/20/25

pww://kci-pw.dentley.com/kci-pw-05/Documents/Projects/2024/00052205.03/2 Working/Structures/Drawings/2.Final/402.007.ed1a.cd_004.dgn
 12/5/2025 9:05:43 AM Robert F. Decola
 KCI PROJ. #221601946.096
 KCI_Bridge_PDF.nc.plt.ctg

LOAD FACTORS:

DESIGN LOAD RATING FACTORS	LIMIT STATE	γDC	γDW
	STRENGTH I	1.25	1.50
	SERVICE III	1.00	1.00

NOTES:

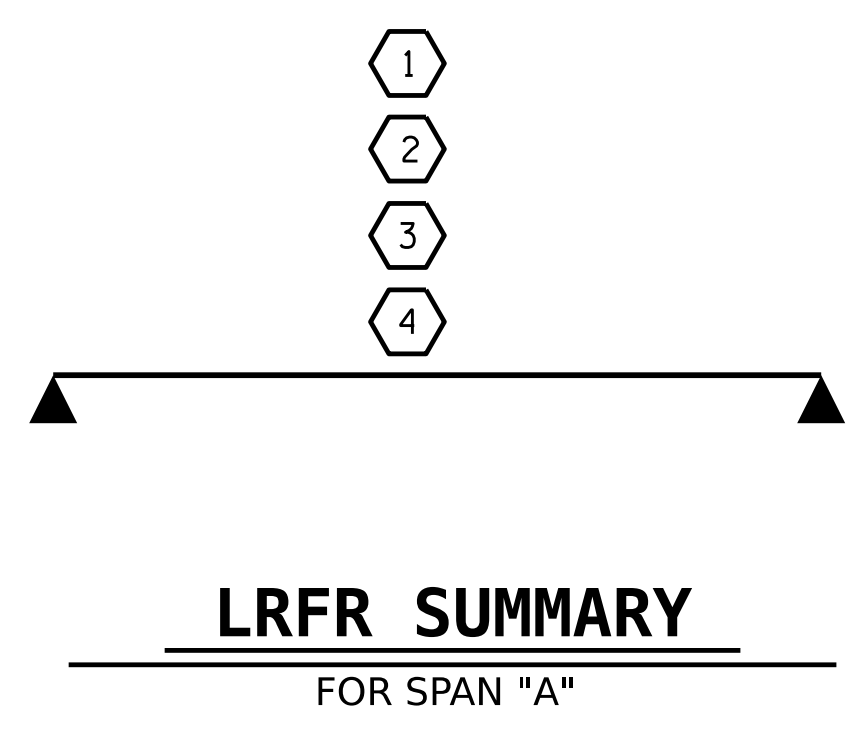
MINIMUM RATING FACTORS ARE BASED ON THE STRENGTH I AND SERVICE III LIMIT STATES.
ALLOWABLE STRESSES FOR SERVICE III LIMIT STATE ARE AS REQUIRED FOR DESIGN.

COMMENTS:

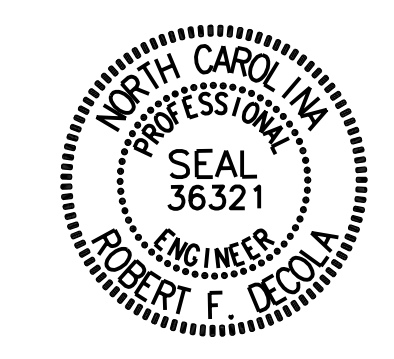
-
-
-
-

#	CONTROLLING LOAD RATING
1	DESIGN LOAD RATING (HL-93)
2	DESIGN LOAD RATING (HS-20)
3	LEGAL LOAD RATING **
4	EMERGENCY VEHICLE LOAD RATING **
** SEE CHART FOR VEHICLE TYPE	
GIRDER LOCATION	
I - INTERIOR GIRDER EL - EXTERIOR LEFT GIRDER ER - EXTERIOR RIGHT GIRDER	

LOAD AND RESISTANCE FACTOR RATING (LRFR) SUMMARY FOR PRESTRESSED CONCRETE GIRDERS																							
LOAD TYPE	VEHICLE	WEIGHT (W) (TONS)	CONTROLLING LOAD RATING #	MINIMUM RATING FACTORS (RF)	TONS = W x RF	STRENGTH I LIMIT STATE										SERVICE III LIMIT STATE						COMMENT NUMBER	
						MOMENT					SHEAR					MOMENT							
						LIVE-LOAD FACTORS (γLL)	DISTRIBUTION FACTORS (DF)	RATING FACTOR	SPAN	GIRDER LOCATION	DISTANCE FROM LEFT END OF SPAN (ft)	DISTRIBUTION FACTORS (DF)	RATING FACTOR	SPAN	GIRDER LOCATION	DISTANCE FROM LEFT END OF SPAN (ft)	LIVE-LOAD FACTORS (γLL)	DISTRIBUTION FACTORS (DF)	RATING FACTOR	SPAN	GIRDER LOCATION		DISTANCE FROM LEFT END OF SPAN (ft)
DESIGN LOAD	HL-93 (INVENTORY)	N/A	1	1.055	--	1.75	0.275	1.23	55'	EL	27	0.523	1.23	55'	EL	5.4	0.80	0.275	1.05	55'	EL	27	
	HL-93 (OPERATING)	N/A		1.591	--	1.35	0.275	1.59	55'	EL	27	0.523	1.59	55'	EL	5.4	N/A	--	--	--	--	--	
	HS-20 (INVENTORY)	36.000	2	1.322	47.585	1.75	0.275	1.54	55'	EL	27	0.523	1.47	55'	EL	5.4	0.80	0.275	1.32	55'	EL	27	
	HS-20 (OPERATING)	36.000		1.900	68.396	1.35	0.275	1.99	55'	EL	27	0.523	1.90	55'	EL	5.4	N/A	--	--	--	--	--	
LEGAL LOAD	SINGLE VEHICLE (SV)	SNSH		2.776	37.476	1.4	0.275	4.04	55'	EL	27	0.523	4.17	55'	EL	5.4	0.80	0.275	2.78	55'	EL	27	
		SNGARBS2	20.000		2.155	43.095	1.4	0.275	3.14	55'	EL	27	0.523	3.02	55'	EL	5.4	0.80	0.275	2.15	55'	EL	27
		SNAGRIS2	22.000		2.079	45.734	1.4	0.275	3.03	55'	EL	27	0.523	2.83	55'	EL	5.4	0.80	0.275	2.08	55'	EL	27
		SNCOTTS3	27.250		1.384	37.708	1.4	0.275	2.01	55'	EL	27	0.523	2.09	55'	EL	5.4	0.80	0.275	1.38	55'	EL	27
		SNAGGRS4	34.925		1.189	41.527	1.4	0.275	1.73	55'	EL	27	0.523	1.77	55'	EL	5.4	0.80	0.275	1.19	55'	EL	27
		SNS5A	35.550		1.160	41.255	1.4	0.275	1.69	55'	EL	27	0.523	1.82	55'	EL	5.4	0.80	0.275	1.16	55'	EL	27
		SNS6A	39.950		1.079	43.102	1.4	0.275	1.57	55'	EL	27	0.523	1.68	55'	EL	5.4	0.80	0.275	1.08	55'	EL	27
	SNS7B	42.000		1.028	43.175	1.4	0.275	1.50	55'	EL	27	0.523	1.67	55'	EL	5.4	0.80	0.275	1.03	55'	EL	27	
	TRUCK-TRACTOR SEMI-TRAILER (TTST)	TNAGRIT3	33.000		1.320	43.556	1.4	0.275	1.92	55'	EL	27	0.523	1.98	55'	EL	5.4	0.80	0.275	1.32	55'	EL	27
		TNT4A	33.075		1.330	43.979	1.4	0.275	1.94	55'	EL	27	0.523	1.91	55'	EL	5.4	0.80	0.275	1.33	55'	EL	27
		TNT6A	41.600		1.101	45.811	1.4	0.275	1.60	55'	EL	27	0.523	1.83	55'	EL	5.4	0.80	0.275	1.10	55'	EL	27
		TNT7A	42.000		1.114	46.804	1.4	0.275	1.62	55'	EL	27	0.523	1.71	55'	EL	5.4	0.80	0.275	1.11	55'	EL	27
		TNT7B	42.000		1.163	48.848	1.4	0.275	1.69	55'	EL	27	0.523	1.62	55'	EL	5.4	0.80	0.275	1.16	55'	EL	27
		TNAGRIT4	43.000		1.101	47.330	1.4	0.275	1.60	55'	EL	27	0.523	1.56	55'	EL	5.4	0.80	0.275	1.10	55'	EL	27
TNAGT5A		45.000		1.031	46.405	1.4	0.275	1.50	55'	EL	27	0.523	1.58	55'	EL	5.4	0.80	0.275	1.03	55'	EL	27	
TNAGT5B	45.000		1.013	45.582	1.4	0.275	1.47	55'	EL	27	0.523	1.48	55'	EL	5.4	0.80	0.275	1.01	55'	EL	27		
EMERGENCY VEHICLE (EV)	EV2	28.750		1.617	46.483	1.3	0.275	2.37	55'	EL	27	0.523	2.27	55'	EL	5.4	0.80	0.275	1.62	55'	EL	27	
	EV3	43.000		1.049	45.107	1.3	0.275	1.54	55'	EL	27	0.523	1.53	55'	EL	5.4	0.80	0.275	1.05	55'	EL	27	



PROJECT NO. 044-01-EA41A
HAYWOOD COUNTY
 STATION: 10+66.50 -L-



STATE OF NORTH CAROLINA
 DEPARTMENT OF PUBLIC SAFETY
 RALEIGH
 STANDARD
 LRFR SUMMARY FOR
 55' CORED SLAB UNIT
 90° SKEW
 (NON-INTERSTATE TRAFFIC)

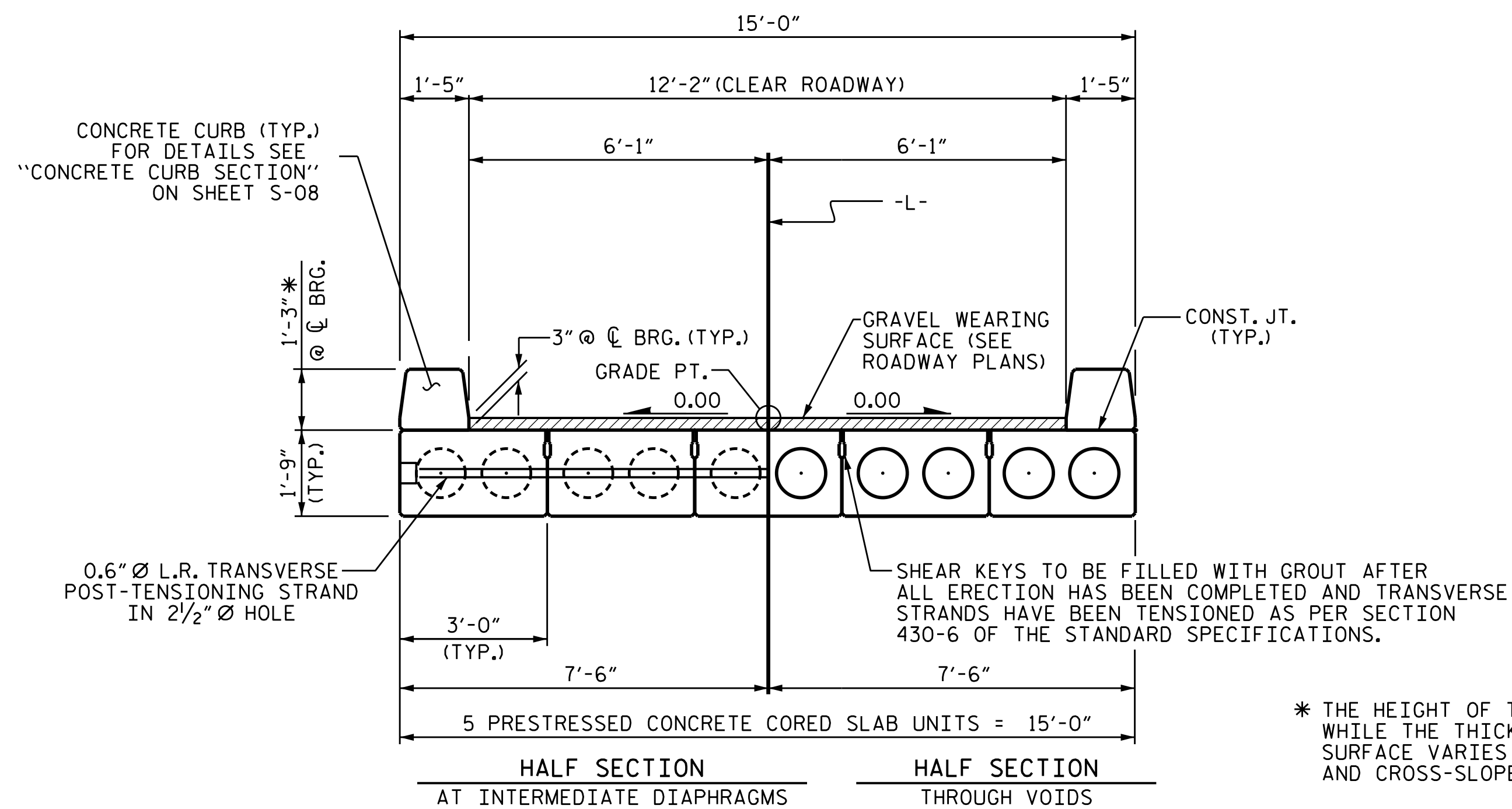
DESIGN ENGINEER OF RECORD: Robert Decola	DATE : 12/5/2025
DRAWN BY : V.L. MUMMA	DATE : 10/20/25
CHECKED BY : M.G. ARMSTRONG	DATE : 10/20/25

DOCUMENT NOT CONSIDERED FINAL
 UNLESS ALL SIGNATURES COMPLETED

KCI Associates
 of North Carolina, P.A.
 4200 Falls of Neuse Road, Suite 200 Raleigh, NC 27609-6270 Phone (919) 785-9244

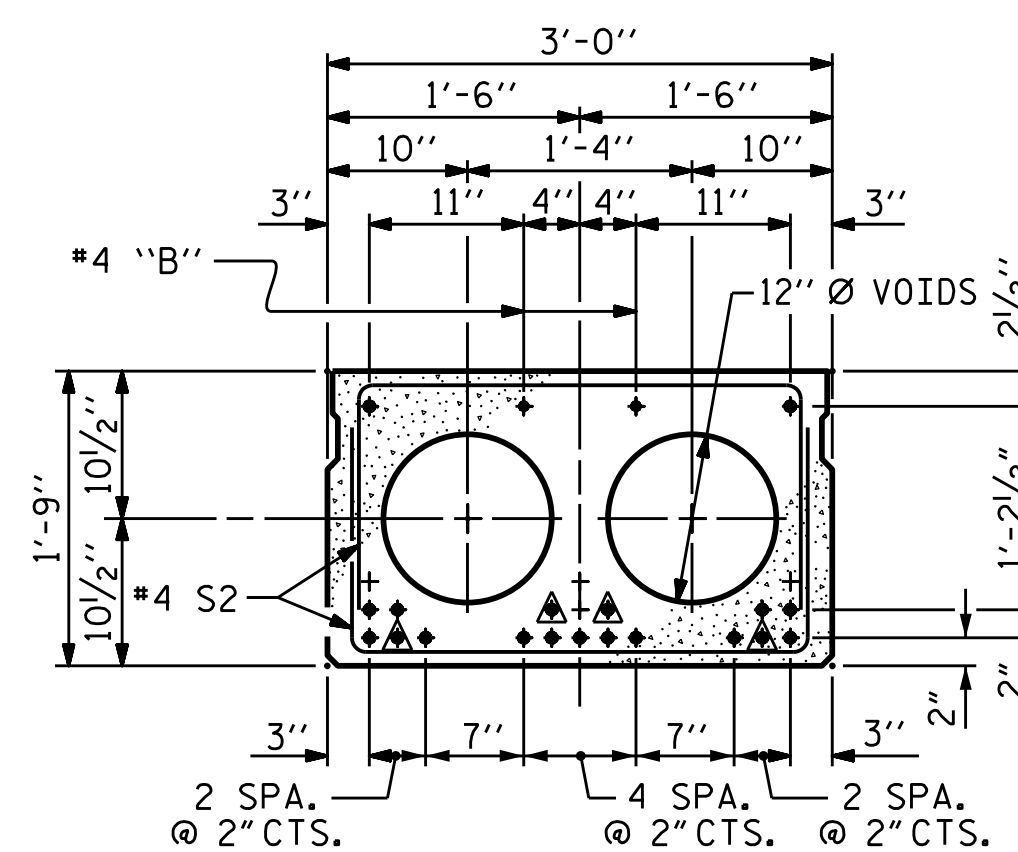
REVISIONS				SHEET NO.		
NO.	BY:	DATE:	NO.	BY:	DATE:	S-05
1			3			TOTAL SHEETS
2			4			16

pww://kci-pw-bentley.com/kci-pw-05/Documents/Projects/2024/00052205.03/2 Working/Structures/Drawings/2.Final/402.009.eed1c.LRFR_005.dgn
 12/5/2025 9:05:52 AM Robert F. Decola
 KCI PROJ. #221601946.09G

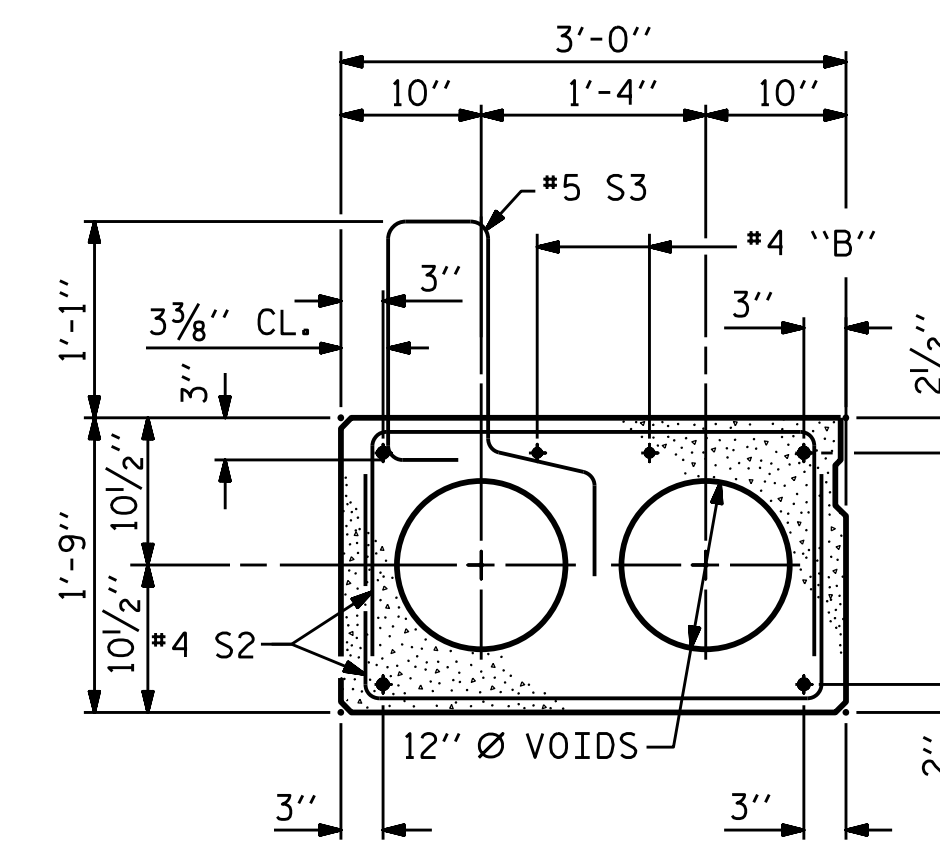


TYPICAL SECTION

* THE HEIGHT OF THE CURB REMAINS CONSTANT WHILE THE THICKNESS OF THE GRAVEL WEARING SURFACE VARIES TO FOLLOW THE PROFILE AND CROSS-SLOPE.



INTERIOR SLAB SECTION
(19 STRANDS REQUIRED)



EXT. SLAB SECTION

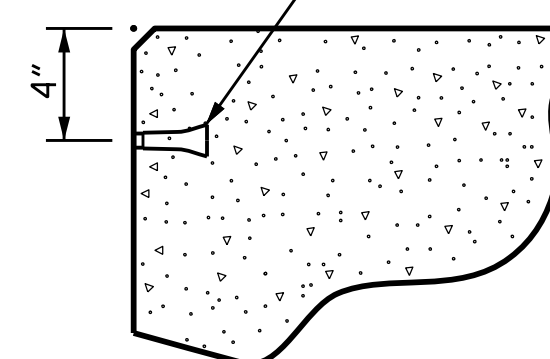
(FOR PRESTRESSED STRAND LAYOUT, SEE INTERIOR SLAB SECTION.)

▲ BOND SHALL BE BROKEN ON THESE STRANDS FOR A DISTANCE OF 6'-0" FROM END OF CORED SLAB UNIT. SEE STANDARD SPECIFICATIONS, ARTICLE 1078-7.

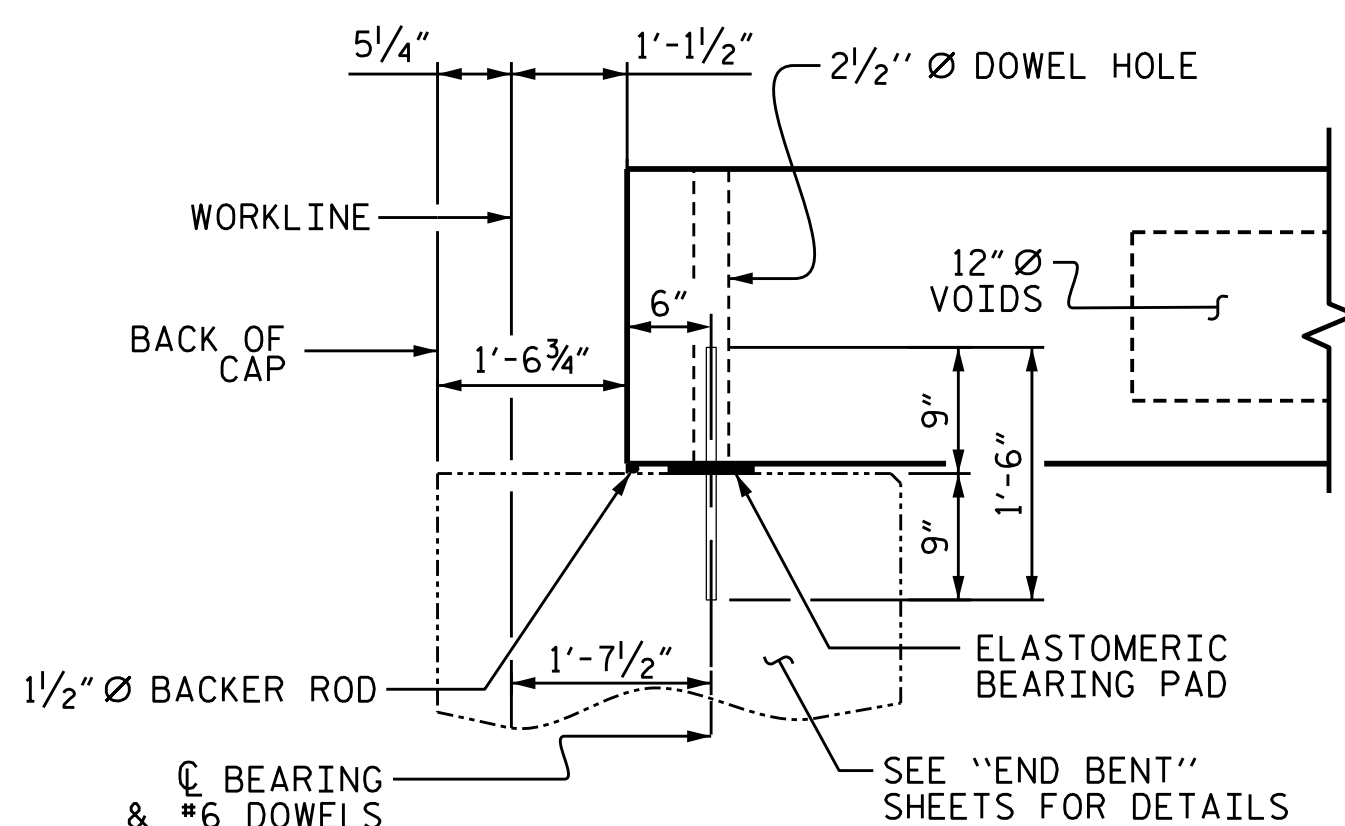
● OPTIONAL FULL LENGTH DEBONDED STRANDS. THESE STRANDS ARE NOT REQUIRED. IF THE FABRICATOR CHOOSES TO INCLUDE THESE STRANDS IN THE CORED SLAB UNIT, THE STRANDS SHALL BE DEBONDED FOR THE FULL LENGTH OF THE UNIT AT NO ADDITIONAL COST. SEE STANDARD SPECIFICATIONS, ARTICLE 1078-7.

DEBONDING LEGEND

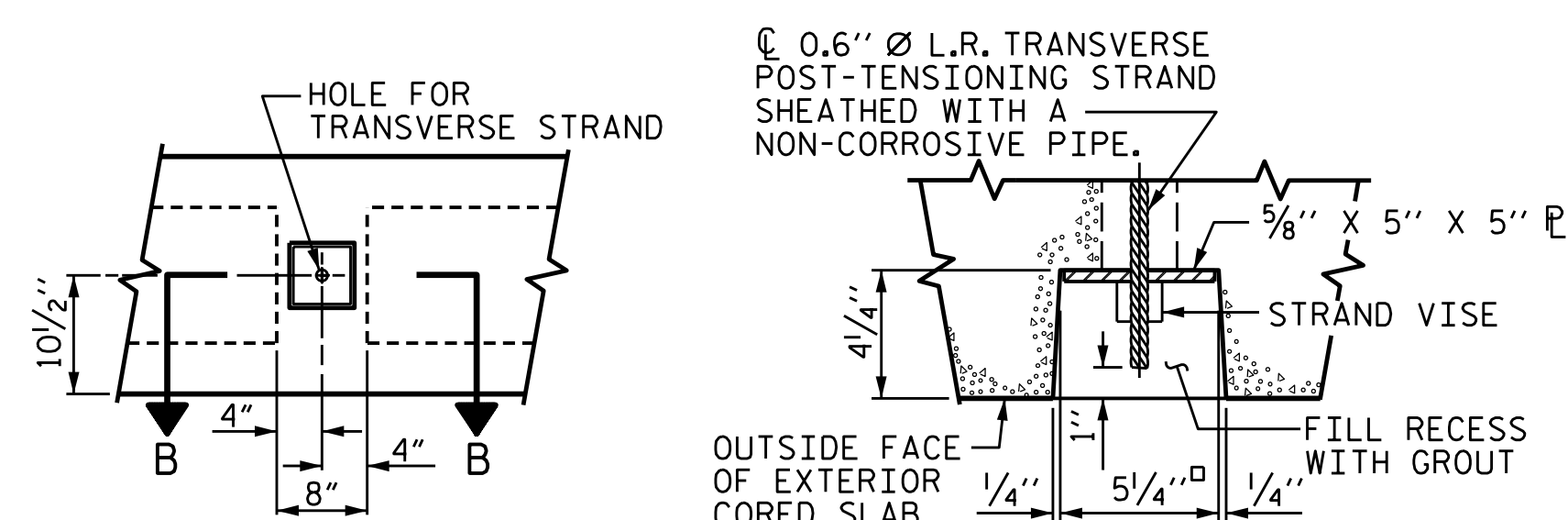
PERMITTED THREADED INSERT CAST IN OUTSIDE FACE OF EXTERIOR UNIT AND RECESSED 3/8" SIZE TO BE DETERMINED BY CONTRACTOR.



THREADED INSERT DETAIL



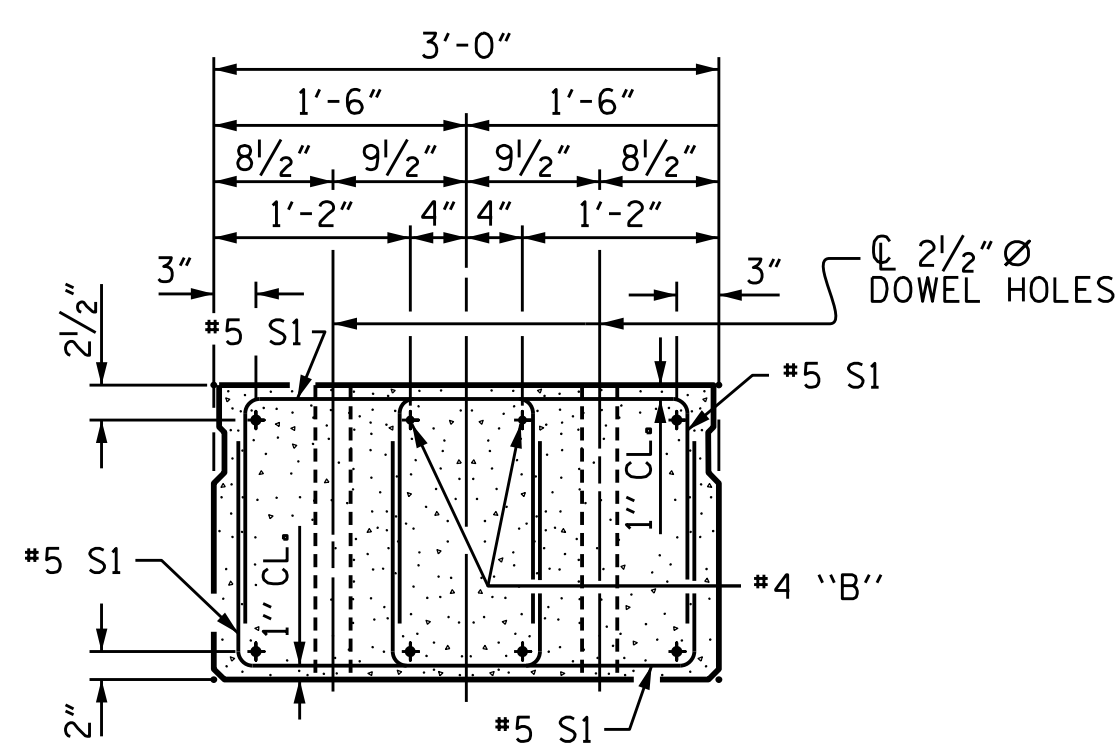
SECTION AT END BENT



ELEVATION VIEW

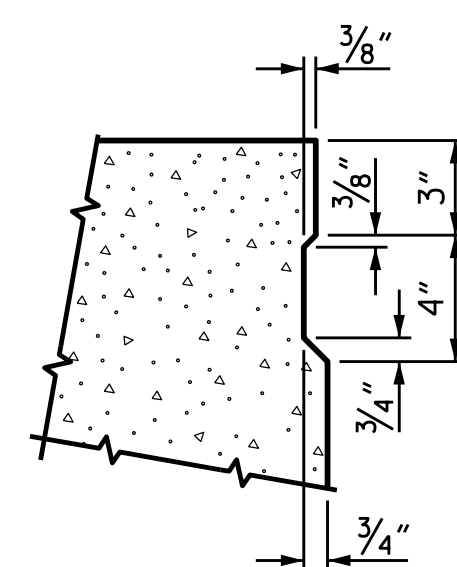
SECTION B-B

GROUTED RECESS AT END OF POST-TENSIONED STRAND OF CORED SLABS



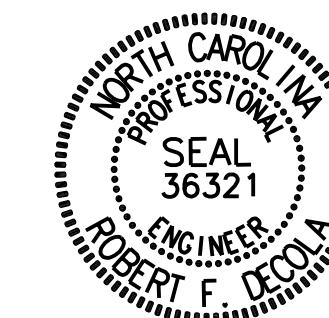
END ELEVATION

NOTE: OMIT SHEAR KEY ON OUTSIDE FACE OF EXTERIOR CORED SLABS.



SHEAR KEY DETAIL

NOTE: OMIT SHEAR KEY ON OUTSIDE FACE OF EXTERIOR CORED SLABS.



PROJECT NO. 044-01-EA41A

HAYWOOD COUNTY

STATION: 10+66.50 -L-

SHEET 1 OF 3

STATE OF NORTH CAROLINA
DEPARTMENT OF PUBLIC SAFETY
RALEIGH

3'-0" X 1'-9"
PRESTRESSED CONCRETE
CORED SLAB UNIT
90° SKEW

REVISIONS

NO.	BY:	DATE:	NO.	BY:	DATE:
1			3		
2			4		

SHEET NO.

S-06

TOTAL SHEETS

16

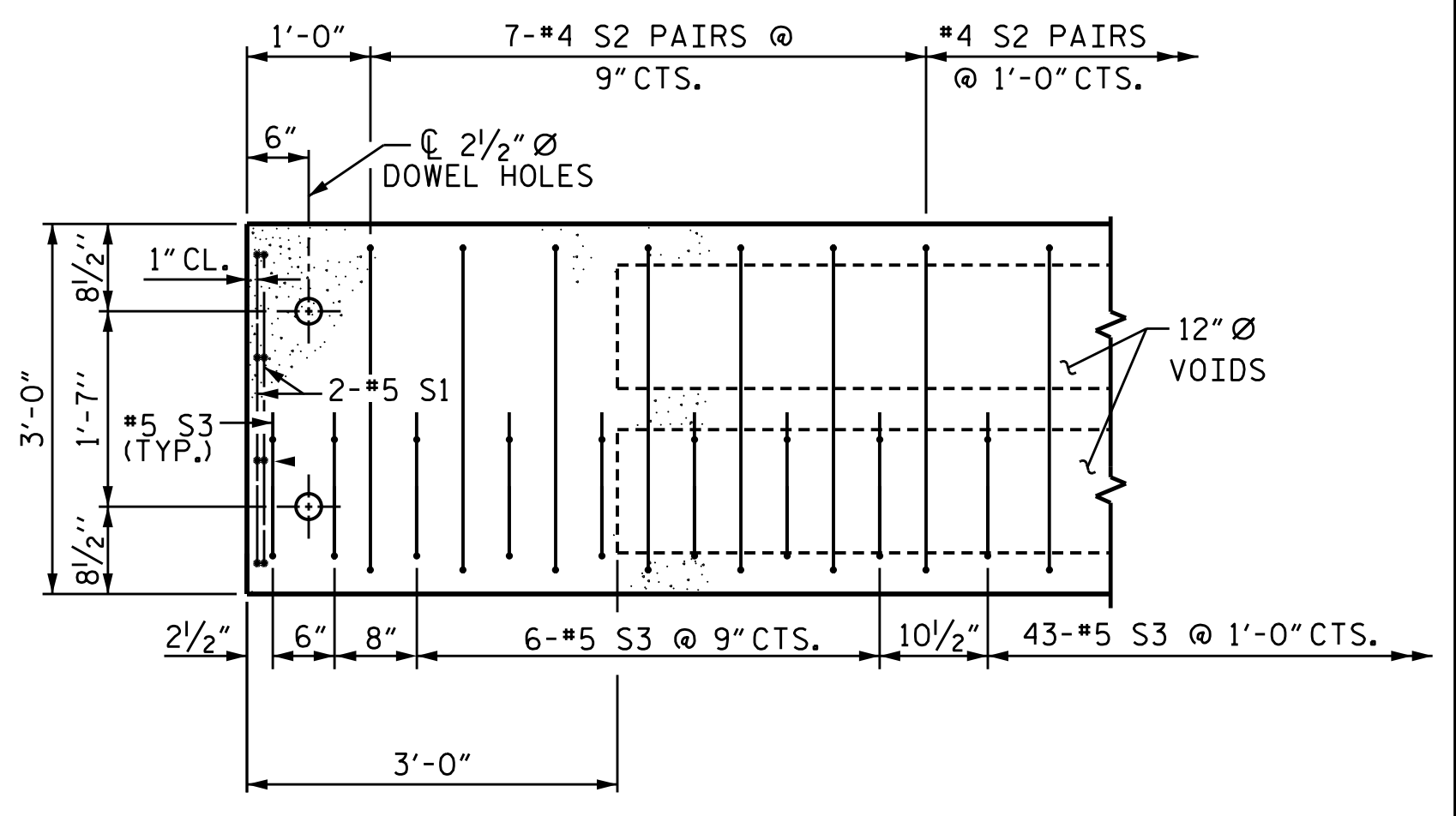
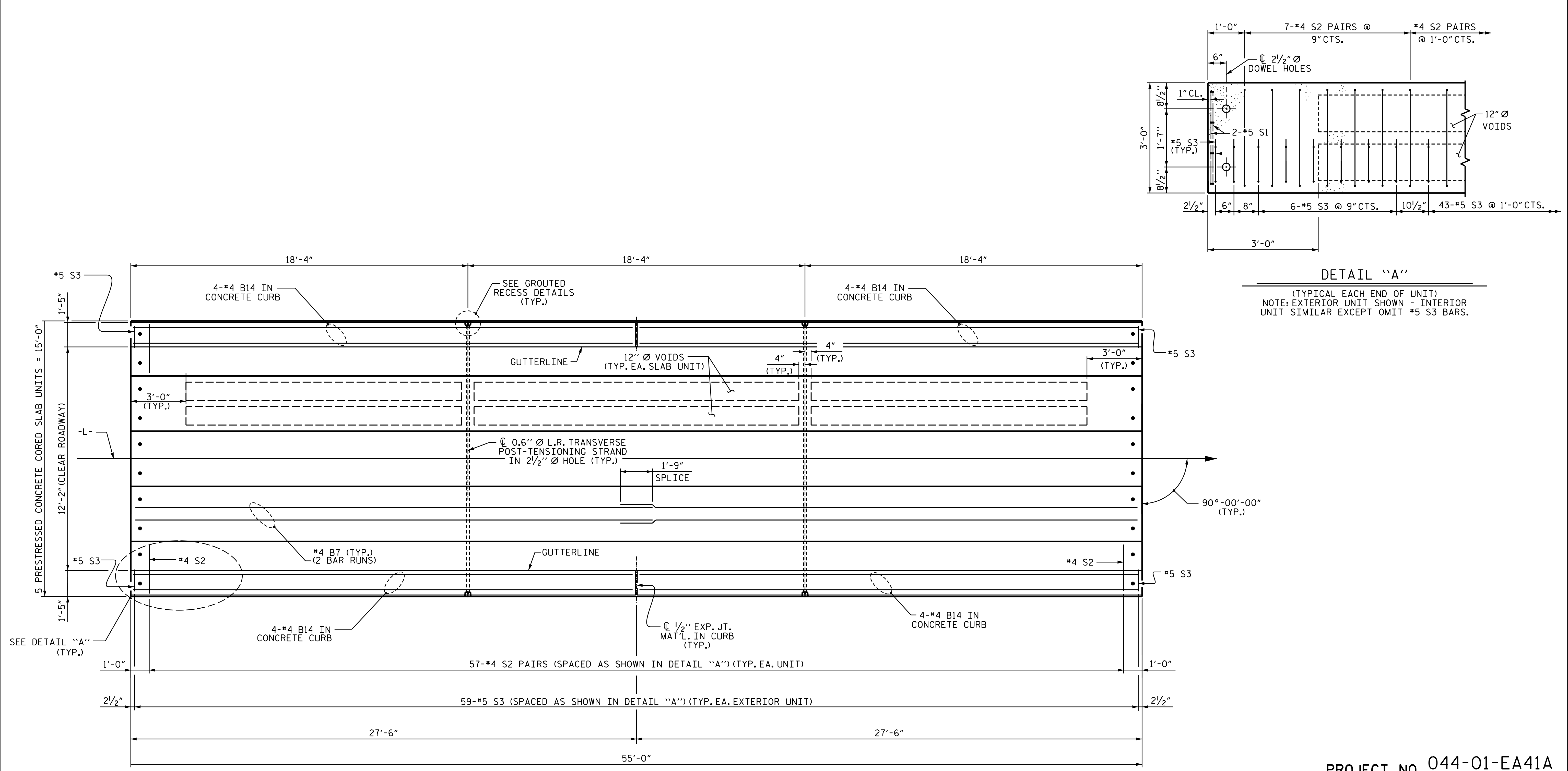
DOCUMENT NOT CONSIDERED FINAL
UNLESS ALL SIGNATURES COMPLETED



DESIGN ENGINEER OF RECORD: Robert Decola	DATE : 12/5/2025
DRAWN BY : V.L. MUMMA	DATE : 10/20/25
CHECKED BY : M.G. ARMSTRONG	DATE : 10/20/25

pww/kci-pw.bentley.com/kci-pw-05/Documents/Projects/2024/00052205.03/2 Working/Structures/Drawings/2.Final/402.011.eo41a.LS.006.dgn
12/5/2025 9:05:57 AM Robert F. Decola KCI_Bridge_PDF.nc.plt ctf
KCI PROJ. #221601946.096

pww/kci-pw.dentley.com/kci-pw-05/Documents/Projects/2024/00052205.03/2 Working/Structures/Drawings/2.Final/402.013_ea41a PLAN.007.dgn
 12/5/2025 9:06:06 AM Robert F. Decola
 KCI PROJ. #221601946.09G



PROJECT NO. 044-01-EA41A
HAYWOOD COUNTY
 STATION: 10+66.50 -L-
 SHEET 2 OF 3



STATE OF NORTH CAROLINA
 DEPARTMENT OF PUBLIC SAFETY
 RALEIGH

**PLAN OF 55' UNIT
 12'-2" CLEAR ROADWAY
 90° SKEW**

DESIGN ENGINEER OF RECORD: Robert Decola	DATE : 12/5/2025
DRAWN BY : N.R. GIAGUNTO	DATE : 10/28/2025
CHECKED BY : M.G. ARMSTRONG	DATE :

**DOCUMENT NOT CONSIDERED FINAL
 UNLESS ALL SIGNATURES COMPLETED**



REVISIONS						SHEET NO.
NO.	BY:	DATE:	NO.	BY:	DATE:	S-07
1			3			TOTAL SHEETS
2			4			16

DEAD LOAD DEFLECTION AND CAMBER	
55' CORED SLAB UNIT	3'-0" x 1'-9" 0.6" Ø L.R. STRAND
CAMBER (SLAB ALONE IN PLACE)	1/2" ↑
DEFLECTION DUE TO SUPERIMPOSED DEAD LOAD	3/8" ↓
FINAL CAMBER	1/8" ↑

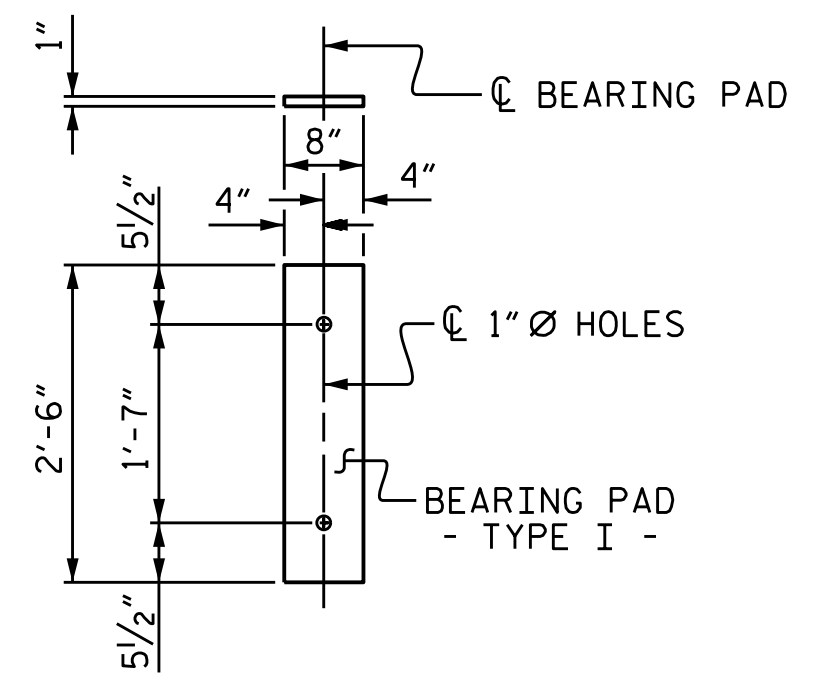
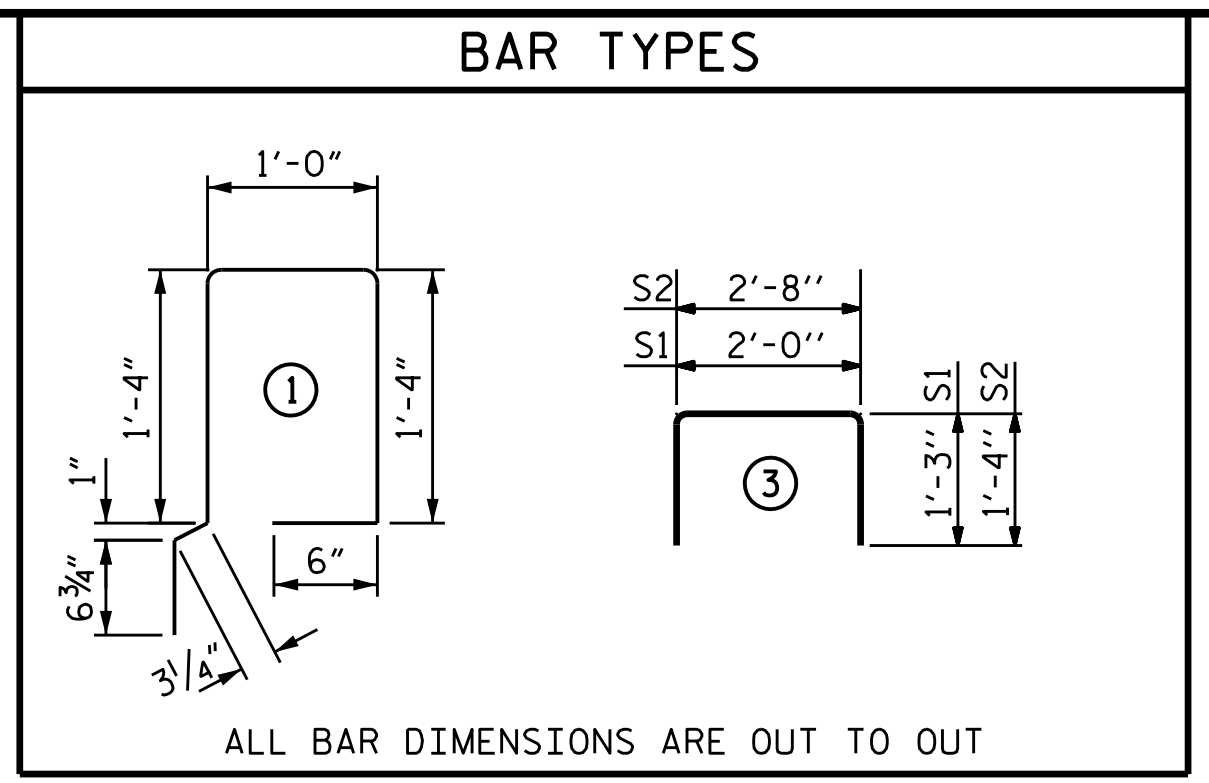
BILL OF MATERIAL FOR CONCRETE CURB						
BAR	BARS PER PAIR OF EXTERIOR UNITS	TOTAL NO.	SIZE	TYPE	LENGTH	WEIGHT
55' UNIT						
*B14	16	16	#4	STR	27'-1"	289
* EPOXY COATED REINFORCING STEEL					LBS.	289
CLASS AA CONCRETE					CU.YDS.	7.2
TOTAL CONCRETE CURB LENGTH					LN. FT.	110.00

AGGREGATE BASE COURSE THICKNESS & CURB HEIGHT		
	A.B.C. THICKNESS	CURB HEIGHT
55' UNIT	3"	1'-3"

CORED SLABS REQUIRED			
55' UNIT	NUMBER	LENGTH	TOTAL LENGTH
EXTERIOR C.S.	2	55'-0"	110'-0"
INTERIOR C.S.	3	55'-0"	165'-0"
TOTAL	5		275'-0"

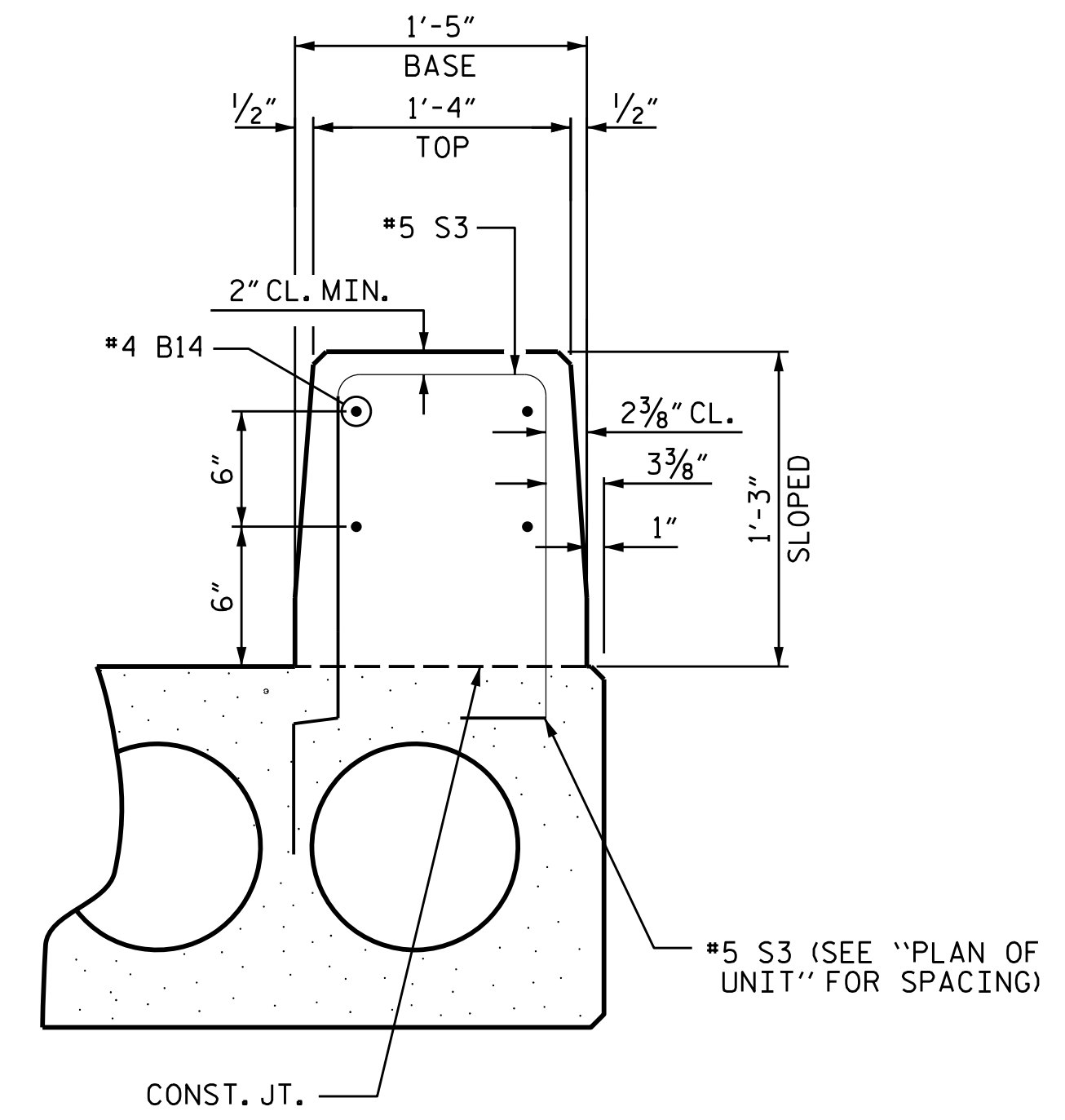
CONCRETE RELEASE STRENGTH	
UNIT	PSI
55' UNITS	4900

GRADE 270 STRANDS	
	0.6" Ø L.R.
AREA (SQUARE INCHES)	0.217
ULTIMATE STRENGTH (LBS. PER STRAND)	58,600
APPLIED PRESTRESS (LBS. PER STRAND)	43,950



ELASTOMERIC BEARING DETAILS

ELASTOMER IN ALL BEARINGS SHALL BE 50 DUROMETER HARDNESS.



CONCRETE CURB SECTION

BILL OF MATERIAL FOR ONE 55' CORED SLAB UNIT							
BAR	NUMBER	SIZE	TYPE	EXTERIOR UNIT		INTERIOR UNIT	
				LENGTH	WEIGHT	LENGTH	WEIGHT
B7	4	#4	STR	28'-3"	75	28'-3"	75
S1	8	#5	3	4'-3"	35	4'-3"	35
S2	114	#4	3	5'-4"	406	5'-4"	406
* S3	59	#5	1	4'-6"	277		
REINFORCING STEEL				LBS.	516		516
* EPOXY COATED REINFORCING STEEL				LBS.	277		
5000 P.S.I. CONCRETE				CU. YDS.	7.8		7.8
0.6" Ø L.R. STRANDS				No.	19		19

NOTES

ALL PRESTRESSING STRANDS SHALL BE 7-WIRE LOW RELAXATION GRADE 270 STRANDS AND SHALL CONFORM TO AASHTO M203 EXCEPT FOR SAMPLING REQUIREMENTS WHICH SHALL BE IN ACCORDANCE WITH THE STANDARD SPECIFICATIONS.

ALL REINFORCING STEEL CAST WITH THE CORED SLAB SECTIONS SHALL BE GRADE 60 AND SHALL BE INCLUDED IN THE UNIT PRICE BID FOR PRESTRESSED CONCRETE CORED SLABS.

RECESSES FOR TRANSVERSE STRANDS SHALL BE GROUTED AFTER THE TENSIONING OF THE STRANDS.

THE 2 1/2" Ø DOWEL HOLES AT FIXED ENDS OF SLAB SECTIONS SHALL BE FILLED WITH NON-SHRINK GROUT.

THE BACKER RODS SHALL CONFORM TO THE REQUIREMENTS OF TYPE M BOND BREAKER. SEE SECTION 1028 OF THE STANDARD SPECIFICATIONS.

WHEN CORED SLABS ARE CAST, AN INTERNAL HOLD-DOWN SYSTEM SHALL BE EMPLOYED TO PREVENT VOIDS FROM RISING OR MOVING SIDEWAYS. AT LEAST SIX WEEKS PRIOR TO CASTING CORED SLABS, THE CONTRACTOR SHALL SUBMIT TO THE ENGINEER FOR REVIEW AND COMMENT, DETAILED DRAWINGS OF THE PROPOSED HOLD-DOWN SYSTEM. IN ADDITION TO STRUCTURAL DETAILS, LOCATION AND SPACING OF THE HOLD-DOWNS SHALL BE INDICATED.

THE TRANSFER OF LOAD FROM THE ANCHORAGES TO THE CORED SLAB UNIT SHALL BE DONE WHEN THE CONCRETE HAS REACHED A COMPRESSIVE STRENGTH OF NOT LESS THAN THE REQUIRED STRENGTH SHOWN IN THE "CONCRETE RELEASE STRENGTH" TABLE.

ALL REINFORCING STEEL IN THE CONCRETE CURB SHALL BE EPOXY COATED.

PRESTRESSING STRANDS SHALL BE CUT FLUSH WITH THE CORED SLAB UNIT ENDS.

APPLY EPOXY PROTECTIVE COATING TO CORED SLAB UNIT ENDS.

GROOVED CONTRACTION JOINTS, 1/2" IN DEPTH, SHALL BE TOOLED IN ALL EXPOSED FACES OF THE CONCRETE CURB AND IN ACCORDANCE WITH ARTICLE 825-10(B) OF THE STANDARD SPECIFICATIONS. A CONTRACTION JOINT SHALL BE LOCATED AT EACH THIRD POINT BETWEEN BARRIER RAIL EXPANSION JOINTS. ONLY ONE CONTRACTION JOINT IS REQUIRED AT MIDPOINT OF BARRIER RAIL SEGMENTS LESS THAN 20 FEET IN LENGTH AND NO CONTRACTION JOINTS ARE REQUIRED FOR THOSE SEGMENTS LESS THAN 10 FEET IN LENGTH.

FLAME CUTTING OF THE TRANSVERSE POST-TENSIONING STRAND IS NOT ALLOWED.

FOR GROUT FOR STRUCTURES, SEE SPECIAL PROVISIONS.

THE PERMITTED THREADED INSERTS ARE DETAILED AS AN OPTION FOR THE CONTRACTOR TO ATTACH FALSEWORK AND FORMWORK DURING CONSTRUCTION.

THE PERMITTED THREADED INSERTS IN THE EXTERIOR UNITS SHALL BE SIZED BY THE CONTRACTOR, SPACED AT 4'-0" CENTERS AND GALVANIZED IN ACCORDANCE WITH SECTION 1076 OF THE STANDARD SPECIFICATIONS. STAINLESS STEEL THREADED INSERTS MAY BE USED AS AN ALTERNATE.

THE PERMITTED THREADED INSERTS SHALL BE GROUTED BY THE CONTRACTOR IMMEDIATELY FOLLOWING REMOVAL OF THE FALSEWORK.

THE COST OF THE PERMITTED THREADED INSERTS SHALL BE INCLUDED IN THE PRICE BID FOR THE PRECAST UNITS.

THE #4 S2 STIRRUPS MAY BE SHIFTED AS NECESSARY TO MAINTAIN 1" CLEAR TO THE GROUTED RECESS.

MAINTAIN A SYMMETRIC TENSION FORCE BETWEEN EACH PAIR OF TRANSVERSE POST TENSIONING STRANDS IN THE DIAPHRAGM.

THE #5 S3 STIRRUPS MAY BE SHIFTED AS NECESSARY TO AVOID CONFLICTS WITH OTHER REINFORCEMENT IN THE EXTERIOR CORED SLAB UNIT.

PROJECT NO. 044-01-EA41A
HAYWOOD COUNTY
 STATION: 10+66.50 -L-

SHEET 3 OF 3



STATE OF NORTH CAROLINA
 DEPARTMENT OF PUBLIC SAFETY
 RALEIGH
 3'-0" X 1'-9"
 PRESTRESSED CONCRETE
 CORED SLAB UNIT
 90° SKEW

DESIGN ENGINEER OF RECORD: Robert Decola	DATE : 12/5/2025
DRAWN BY : V.L. MUMMA	DATE : 10/15/2025
CHECKED BY : M.G. ARMSTRONG	DATE : 10/17/2025

**DOCUMENT NOT CONSIDERED FINAL
 UNLESS ALL SIGNATURES COMPLETED**

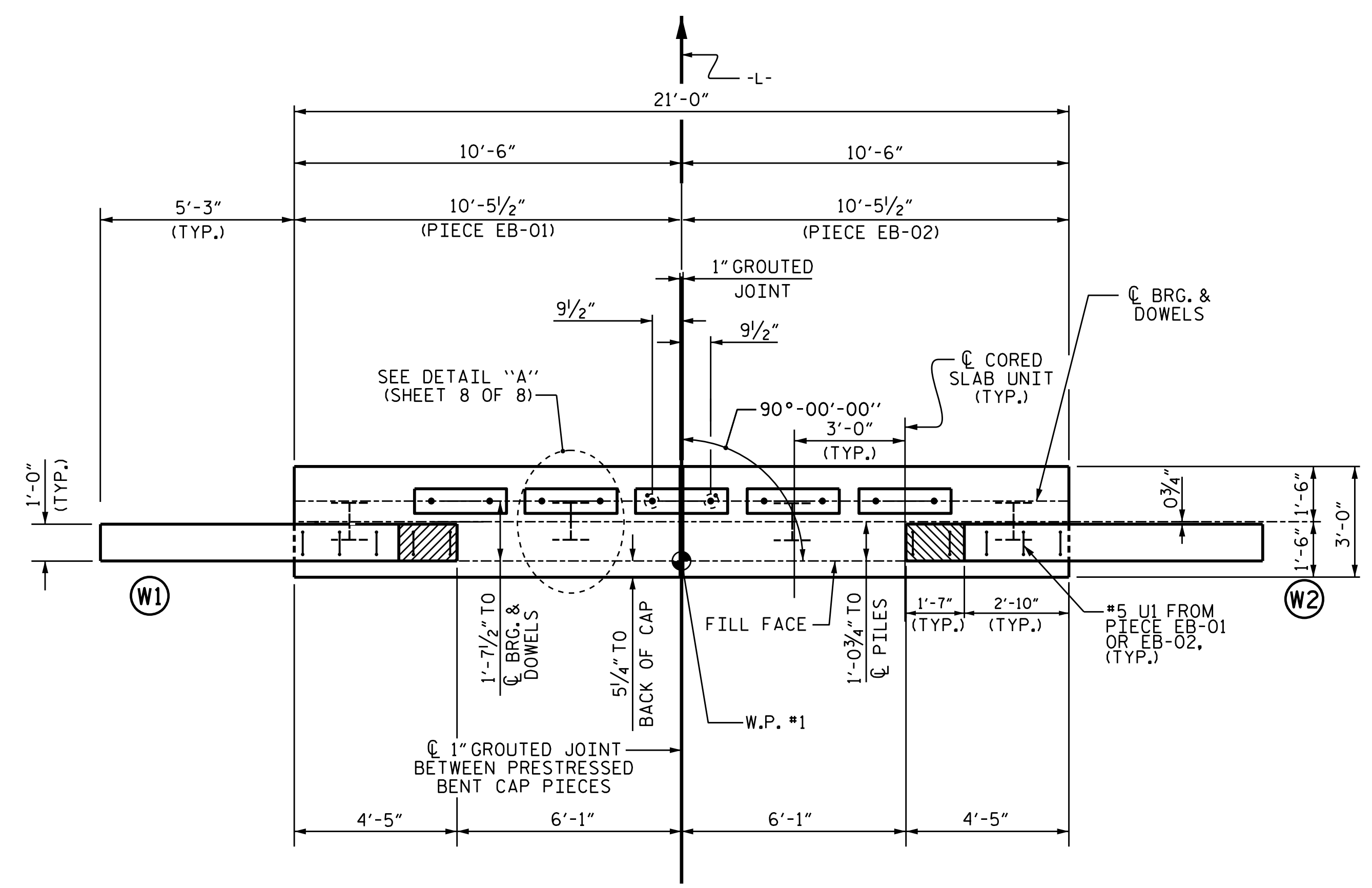
ENGINEERS • PLANNERS • SCIENTISTS • CONSTRUCTION MANAGERS LICENSE NUMBER: C-0764
KCI Associates
 of North Carolina, P.A.
 4200 Falls of Neuse Road, Suite 200 Raleigh, NC 27609-6270 Phone 919-785-5244

REVISIONS				SHEET NO.	
NO.	BY:	DATE:	NO.	BY:	DATE:
1			3		
2			4		

TOTAL SHEETS: 16

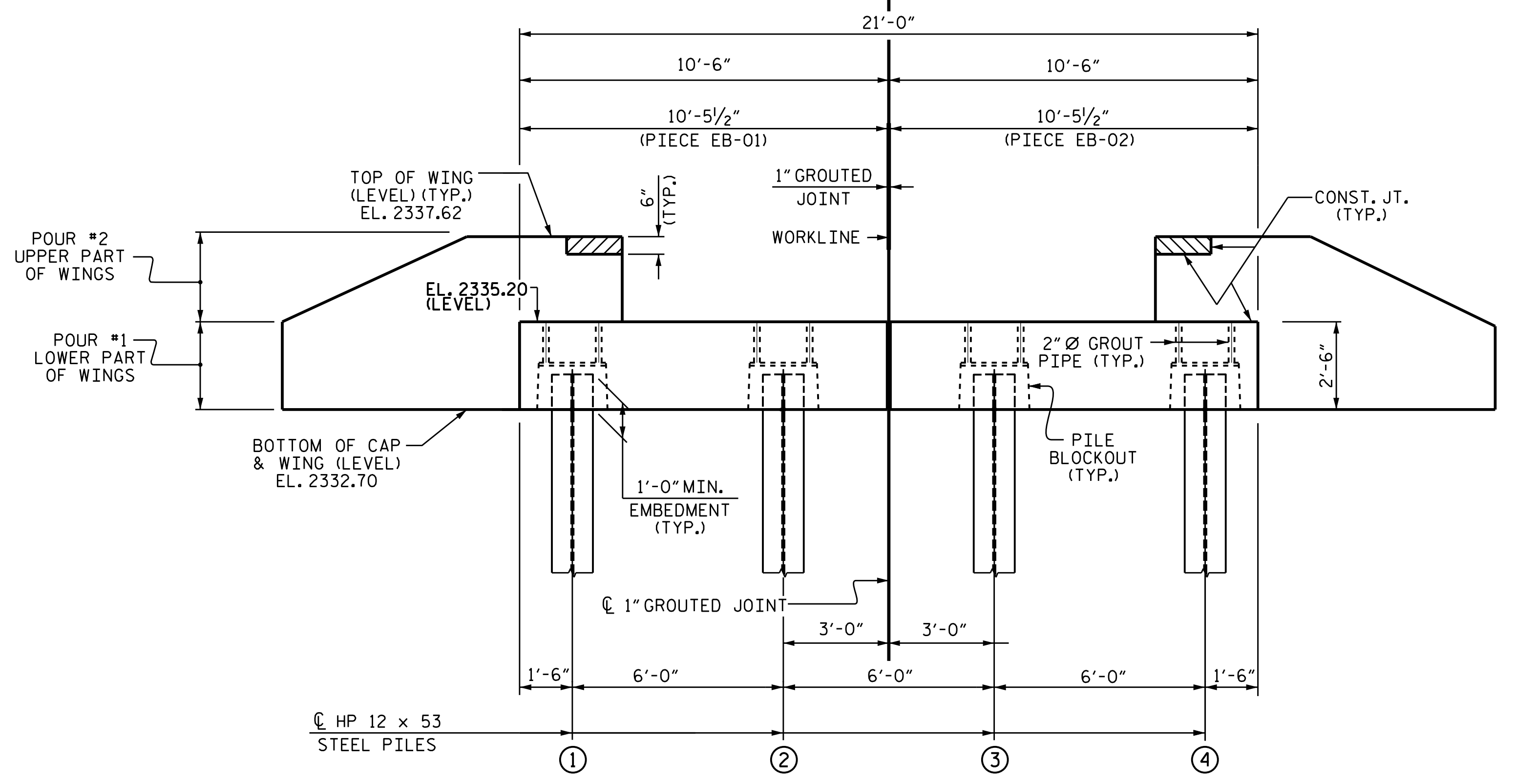
pww://kci-pw.dentley.com/kci-pw-05/Documents/Projects/2024/00052205.03/2 Working/Structures/Drawings/2.Final/402.015.ea41a.BM.008.dgn
 12/5/2025 9:06:13 AM Robert F. Decola
 KCI PROJ. #221601946.09C
 KCI_Bridge.PDF -NCLptcftg Structures.tbl

p:\kci-pw\Bentley.com\kci-pw-05\Documents\Projects\2024\00052205.03\2 Working\Structures\Drawings\2.Final\402.017_eo41c_EB1.009.dgn
 12/5/2025 9:06:44 AM Robert F. Decola
 KCI PROJ. #221601946.09C



PLAN

(PILE BLOCKOUTS, AND GROUT PIPES NOT SHOWN FOR CLARITY)

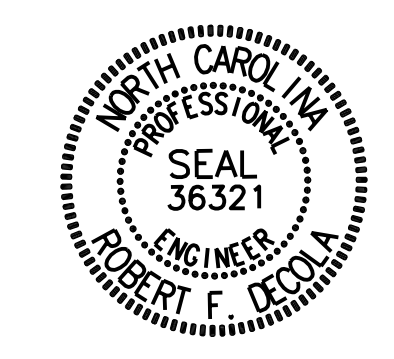


ELEVATION

FOR 2" Ø GROUT PIPE AND PILE BLOCKOUT DETAILS, SEE SHEET 7 OF 8.

PRESTRESSED CONCRETE BENT CAPS (FOR ONE END BENT)			
PIECE	LENGTH	NUMBER	TOTAL LENGTH
EB-01	10'-5 1/2"	1	10'-5 1/2"
EB-02	10'-5 1/2"	1	10'-5 1/2"
TOTAL		2	20'-11"

PROJECT NO. 044-01-EA41A
HAYWOOD COUNTY
 STATION: 10+66.50 -L-
 SHEET 1 OF 8



STATE OF NORTH CAROLINA
 DEPARTMENT OF PUBLIC SAFETY
 RALEIGH

 SUBSTRUCTURE
 END BENT 1

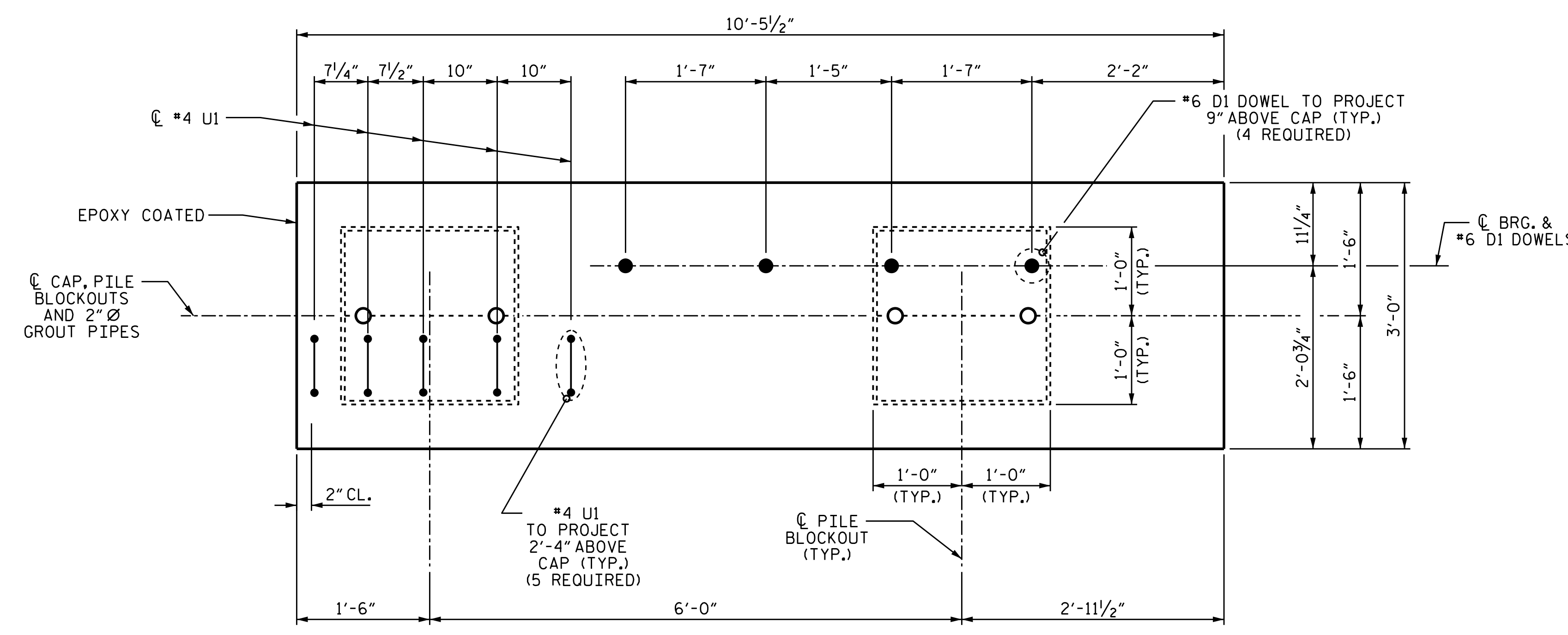
DESIGN ENGINEER OF RECORD: Robert Decola	DATE : 12/5/2025
DRAWN BY : N. GIAGUNTO	DATE : 10/29/25
CHECKED BY : R.F. DECOLA	DATE : 10/30/25

DOCUMENT NOT CONSIDERED FINAL UNLESS ALL SIGNATURES COMPLETED

ENGINEERS & PLANNERS & SCIENTISTS & CONSTRUCTION MANAGERS LICENSE NUMBER: C-0164
KCI Associates
 of North Carolina, P.A.
 4200 Falls of Neuse Road, Suite 200 Raleigh, NC 27609-6270 Phone (919) 785-9241

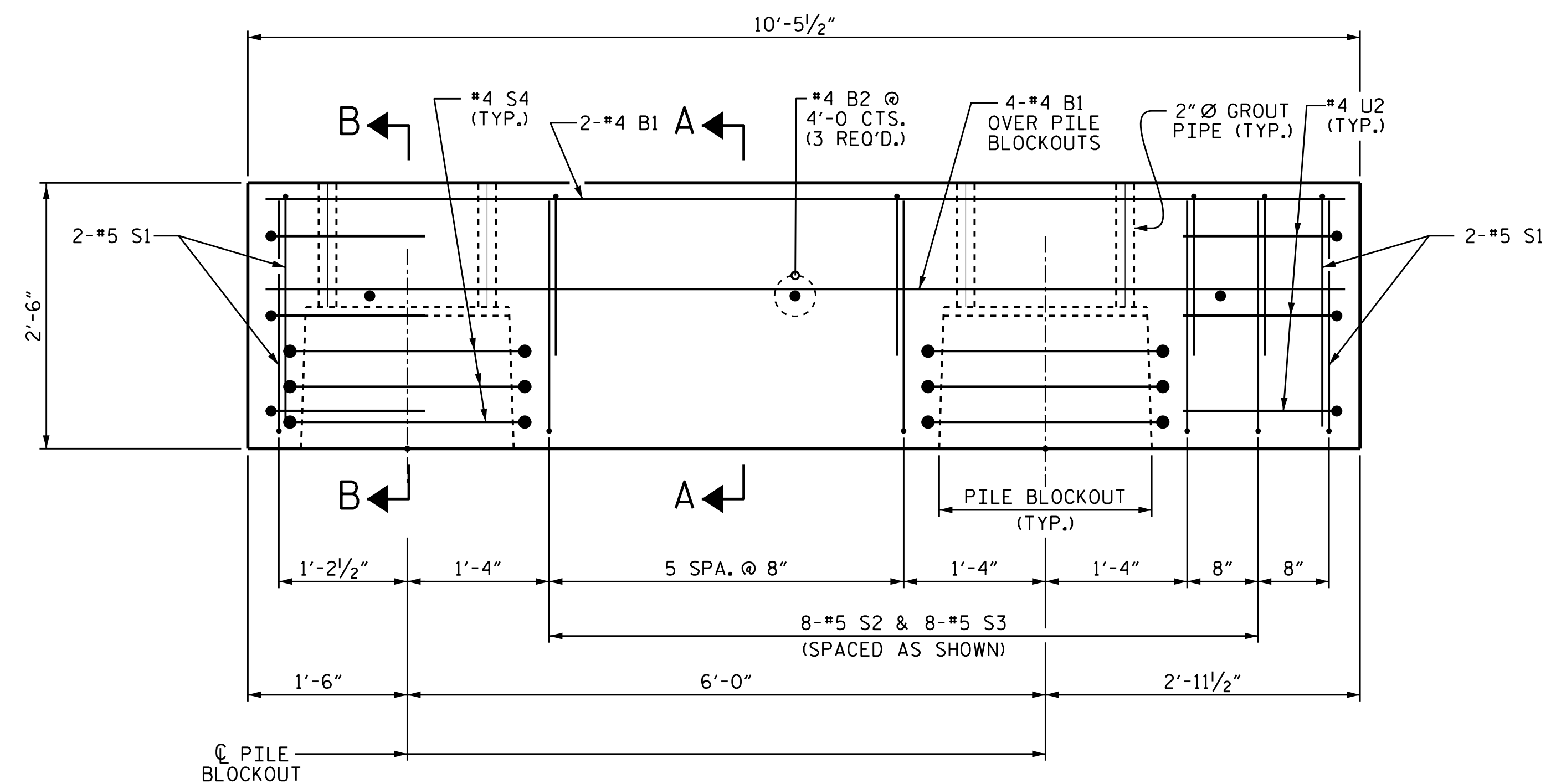
REVISIONS						SHEET NO.
NO.	BY:	DATE:	NO.	BY:	DATE:	S-09
1			3			TOTAL SHEETS
2			4			16

pww://kci-pw.dentley.com/kci-pw-05/Documents/Projects/2024/00052205.03/2 Working/Structures/Drawings/2.Final/402.021.ea41c.eb.011.dgn
 12/5/2025 9:07:39 AM Robert F. Decola KCI PROJ. #221601946.09C
 KCI Structures.tbl KCI_Bridge_PDF.ncplotcfig



PLAN

(FOR PILE BLOCKOUT DETAILS, SEE SHEET 7 OF 8)



ELEVATION

(*6 D1 DOWELS & *4 U1 NOT SHOWN FOR CLARITY)
FOR SECTION A-A & SECTION B-B, SEE SHEET 7 OF 8.

BILL OF MATERIAL

FOR ONE PIECE EB-01

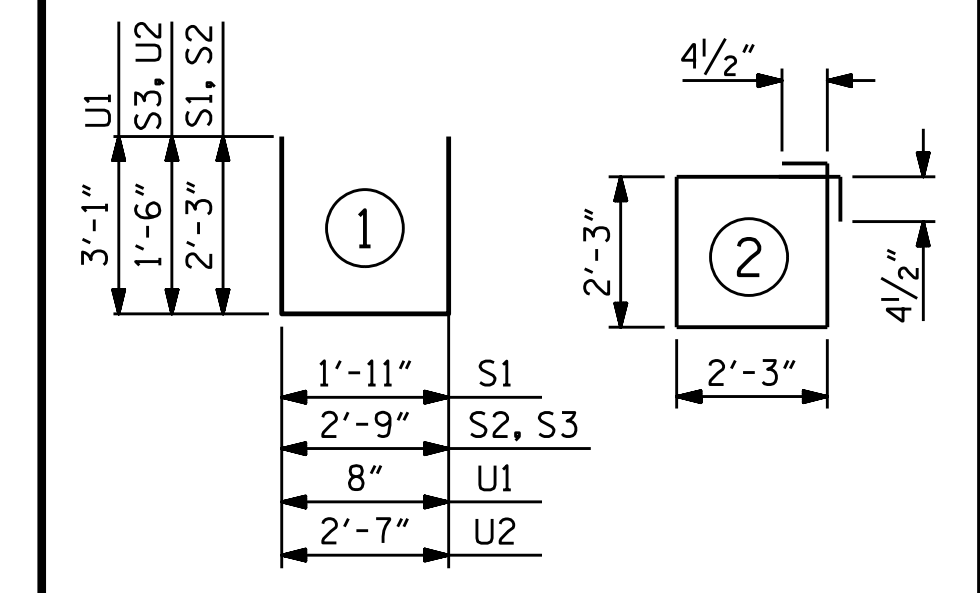
BAR	NO.	SIZE	TYPE	LENGTH	WEIGHT
B1	6	#4	STR	10'-1"	40
B2	3	#4	STR	2'-8"	5
D1	4	#6	STR	1'-6"	9
S1	8	#5	1	6'-5"	54
S2	8	#5	1	7'-3"	60
S3	8	#5	1	5'-9"	48
S4	6	#4	2	9'-9"	39
U1	5	#4	1	6'-10"	23
U2	6	#4	1	5'-7"	22

REINFORCING STEEL 300 LBS

4000 PSI PRESTRESSED CONCRETE 2.6 C.Y.
GROUT IN PILE BLOCKOUT & JOINT 0.4 C.Y.

0.6" Ø L.R. STRANDS No. 12

BAR TYPES



ALL BAR DIMENSIONS ARE OUT TO OUT.

GRADE 270 STRANDS

	0.6" Ø L.R.
AREA (SQUARE INCHES)	0.217
ULTIMATE STRENGTH (LBS. PER STRAND)	58,600
APPLIED PRESTRESS (LBS. PER STRAND)	43,950

PROJECT NO. 044-01-EA41A

HAYWOOD COUNTY

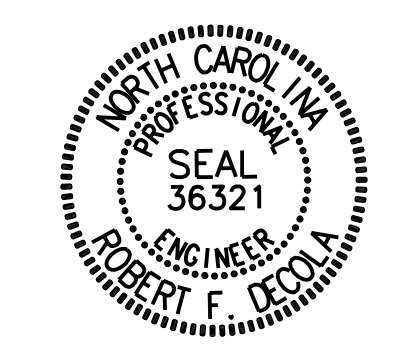
STATION: 10+66.50 -L-

SHEET 3 OF 8

STATE OF NORTH CAROLINA
DEPARTMENT OF PUBLIC SAFETY
RALEIGH

SUBSTRUCTURE

PRESTRESSED
PIECE EB-01



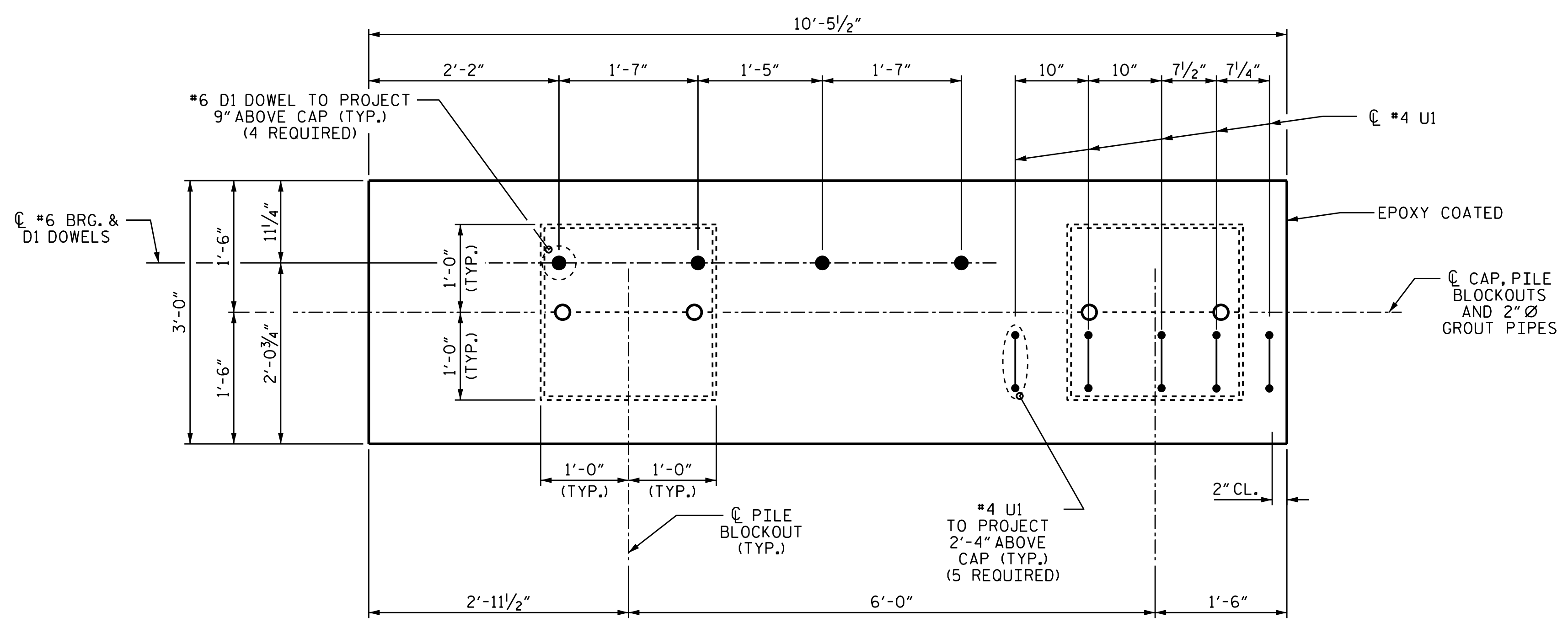
12/5/2025

DESIGN ENGINEER OF RECORD: Robert Decola	DATE : 12/5/2025
DRAWN BY : V.L. MUMMA	DATE : 10/20/25
CHECKED BY : M.G. ARMSTRONG	DATE : 10/20/25

**DOCUMENT NOT CONSIDERED FINAL
UNLESS ALL SIGNATURES COMPLETED**

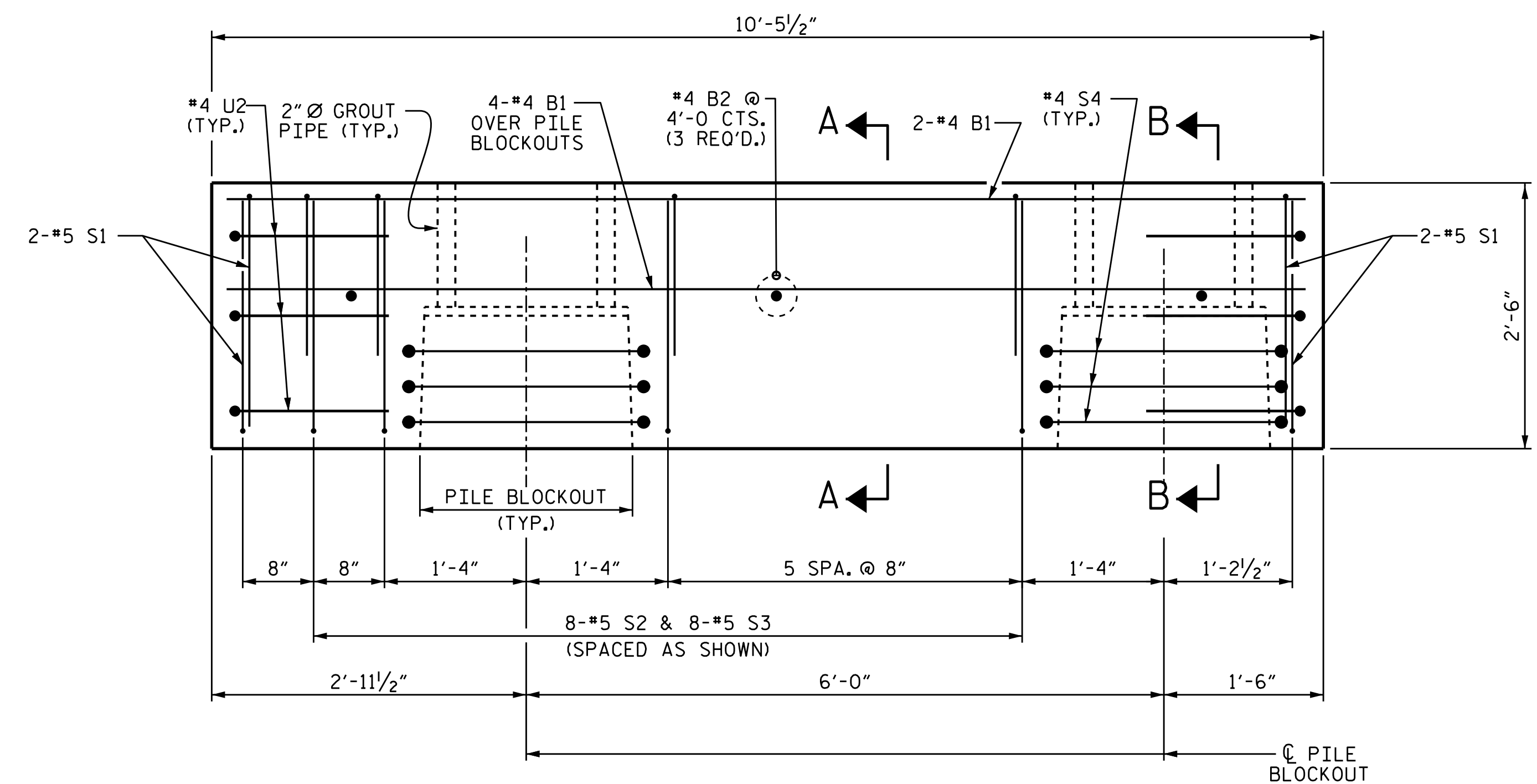


REVISIONS						SHEET NO.
NO.	BY:	DATE:	NO.	BY:	DATE:	S-11
1			3			TOTAL SHEETS
2			4			16



PLAN

(FOR PILE BLOCKOUT DETAILS, SEE SHEET 7 OF 8)



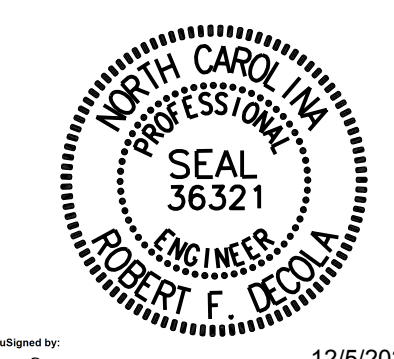
ELEVATION

(*#6 DI DOWELS & #4 U1 NOT SHOWN FOR CLARITY)
FOR SECTION A-A & SECTION B-B, SEE SHEET 7 OF 8.

BILL OF MATERIAL					
FOR ONE PIECE EB-02					
BAR	NO.	SIZE	TYPE	LENGTH	WEIGHT
B1	6	#4	STR	10'-1"	40
B2	3	#4	STR	2'-8"	5
D1	4	#6	STR	1'-6"	9
S1	8	#5	1	6'-5"	54
S2	8	#5	1	7'-3"	60
S3	8	#5	1	5'-9"	48
S4	6	#4	2	9'-9"	39
U1	5	#4	1	6'-10"	23
U2	6	#4	1	5'-7"	22
REINFORCING STEEL					300 LBS
4000 PSI PRESTRESSED CONCRETE					2.6 C.Y.
GROUT IN PILE BLOCKOUT & JOINT					0.4 C.Y.
0.6" Ø L.R. STRANDS					No. 12
BAR TYPES					
ALL BAR DIMENSIONS ARE OUT TO OUT.					

GRADE 270 STRANDS	
AREA (SQUARE INCHES)	0.217
ULTIMATE STRENGTH (LBS. PER STRAND)	58,600
APPLIED PRESTRESS (LBS. PER STRAND)	43,950

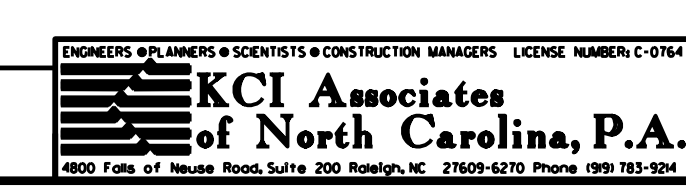
PROJECT NO. 044-01-EA41A
HAYWOOD COUNTY
 STATION: 10+66.50 -L-
 SHEET 4 OF 8



STATE OF NORTH CAROLINA
 DEPARTMENT OF PUBLIC SAFETY
 RALEIGH
 SUBSTRUCTURE
 PRESTRESSED
 PIECE EB-02

DESIGN ENGINEER OF RECORD: Robert Decola	DATE : 12/5/2025
DRAWN BY : V.L. MUMMA	DATE : 10/20/25
CHECKED BY : M.G. ARMSTRONG	DATE : 10/20/25

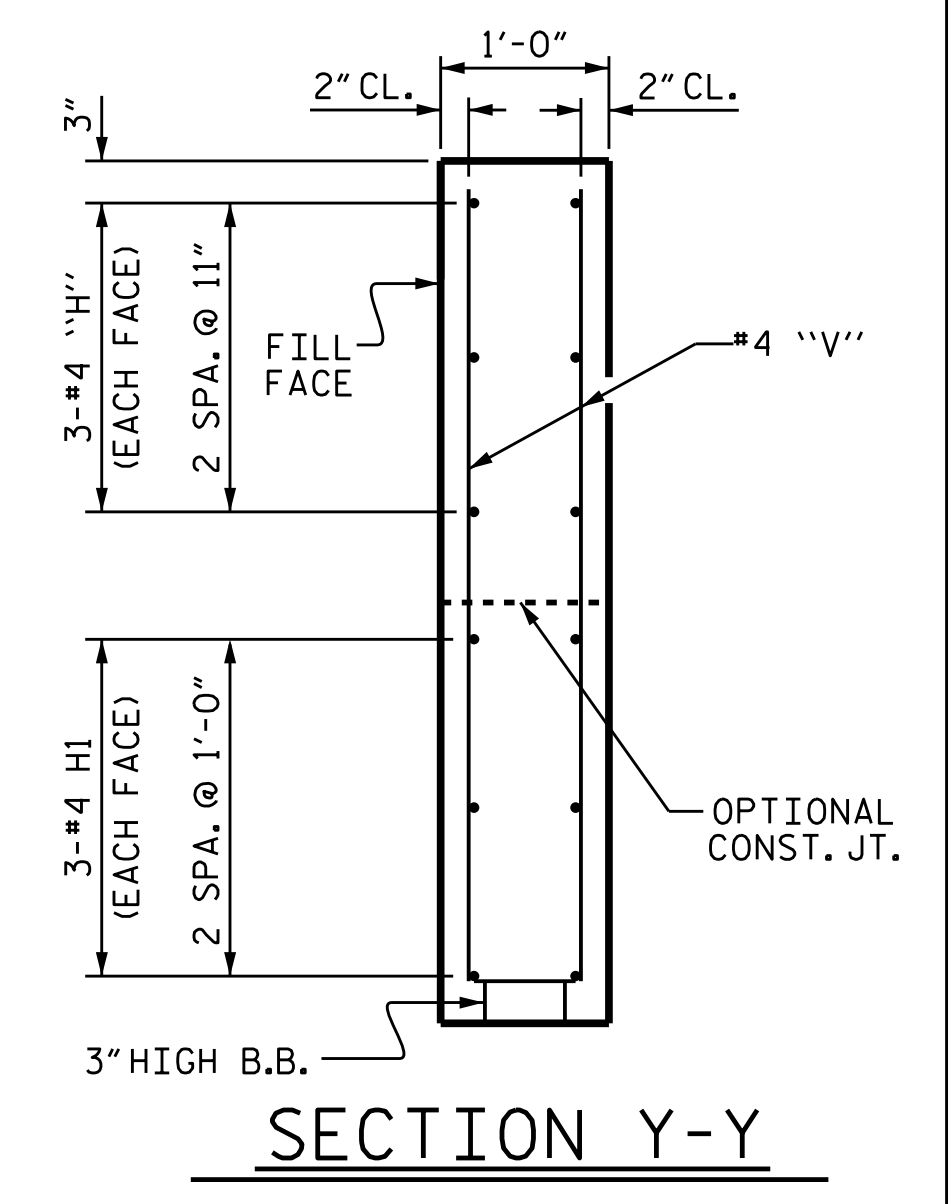
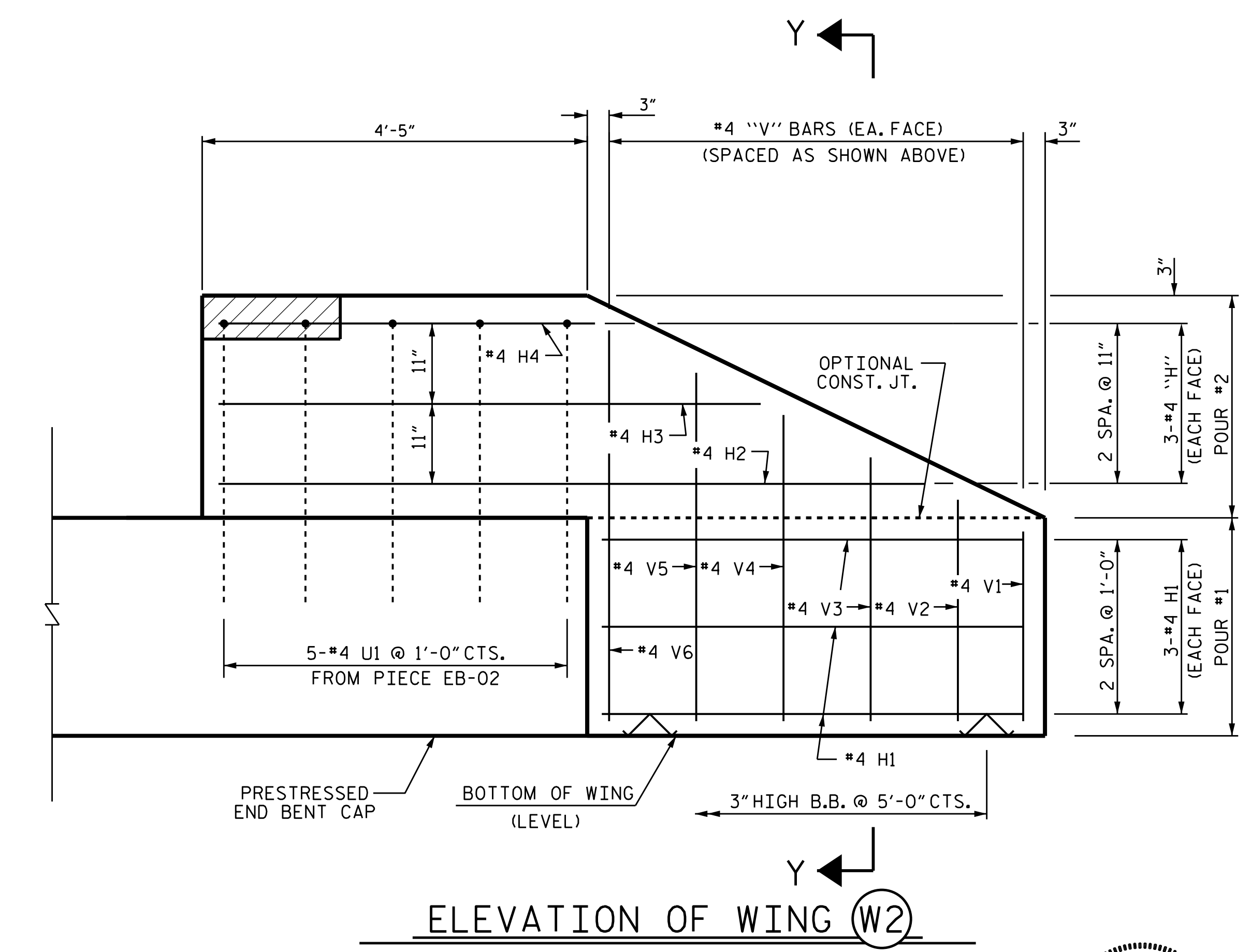
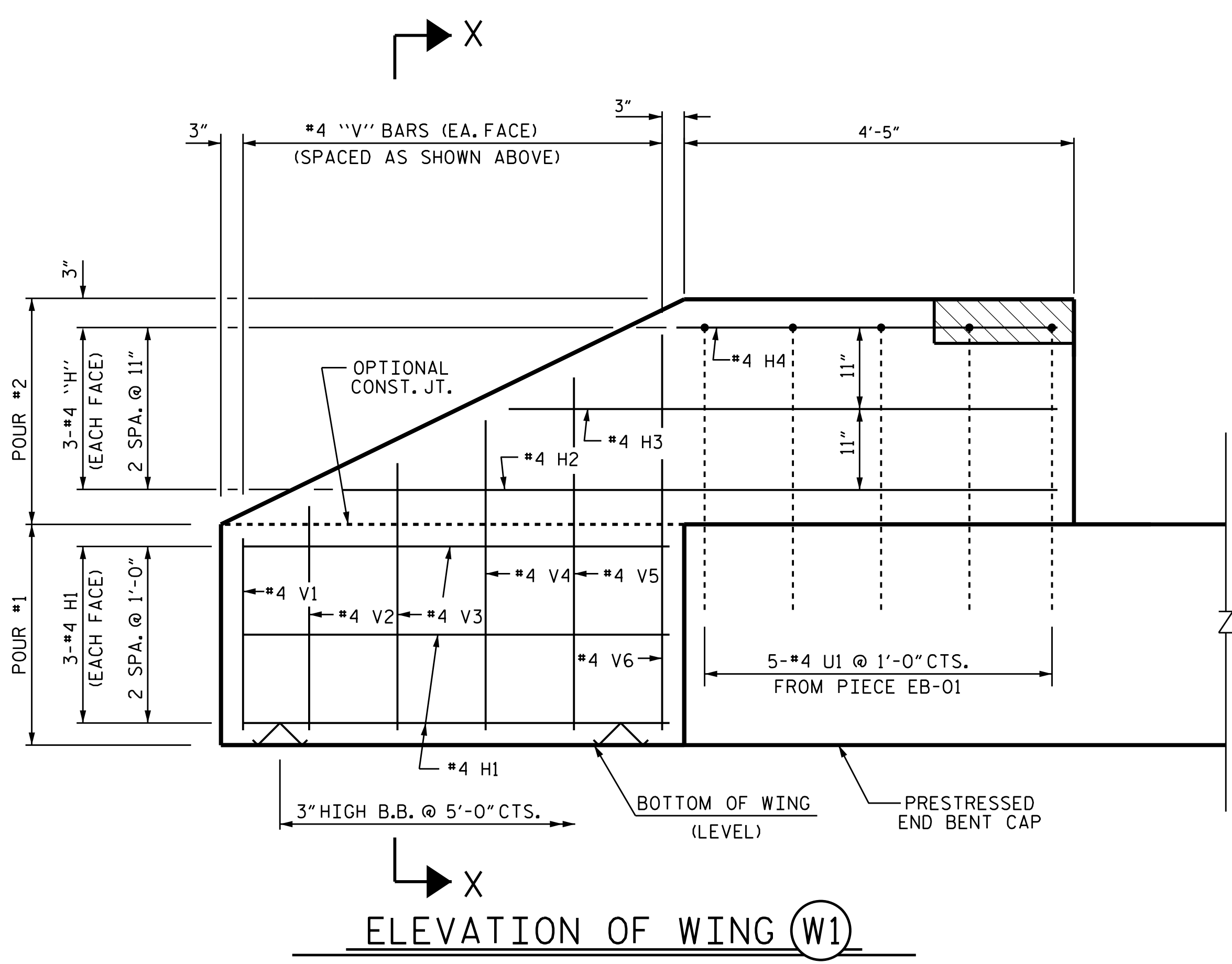
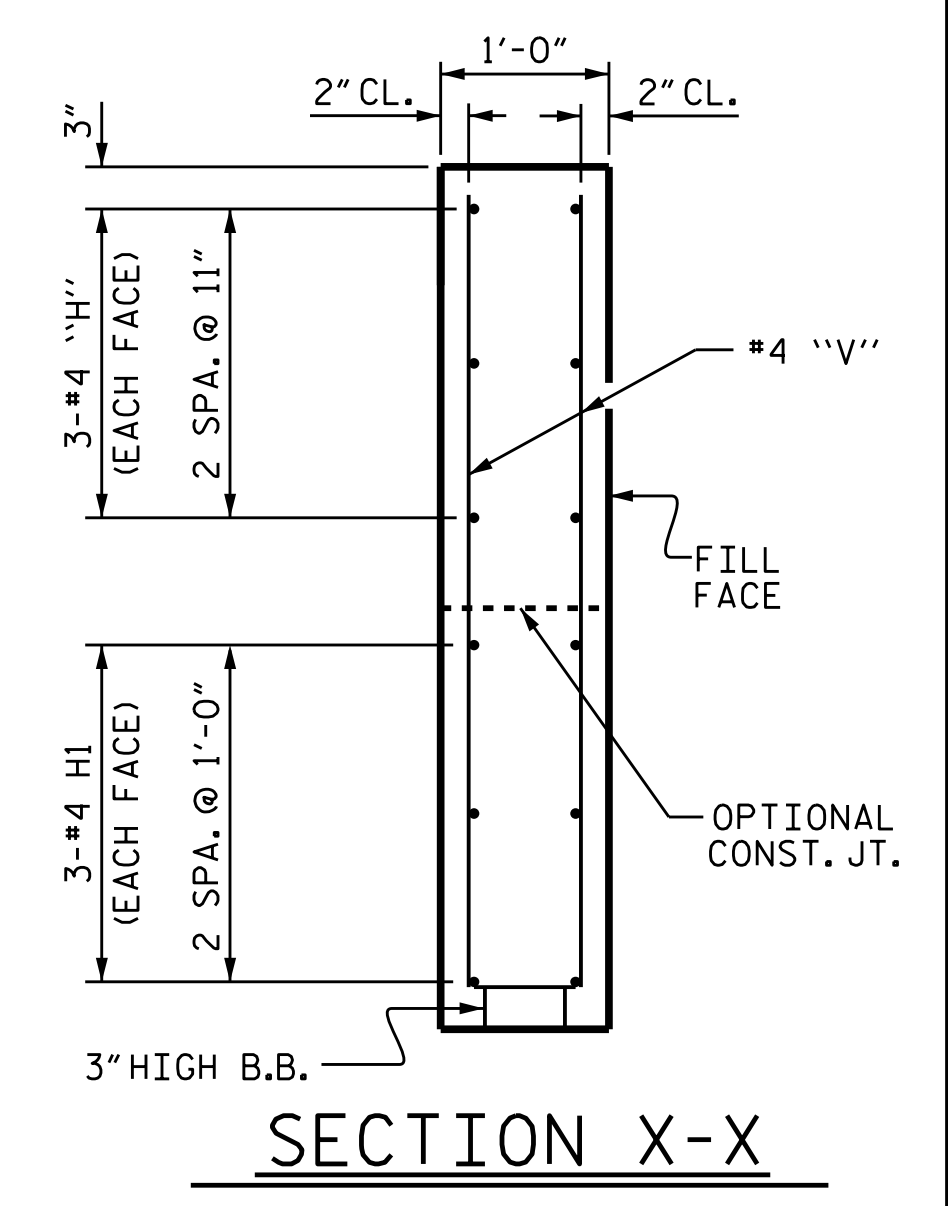
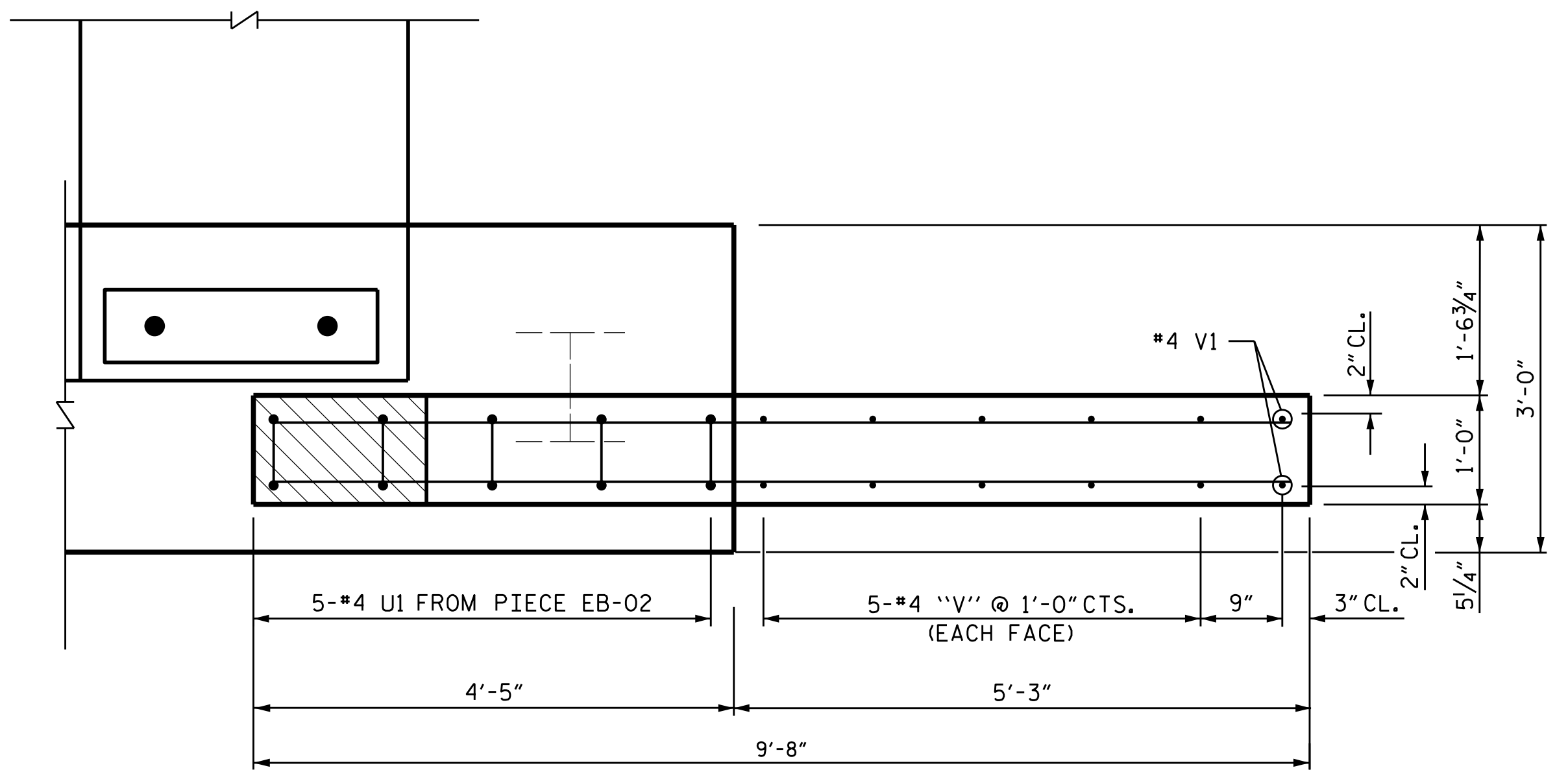
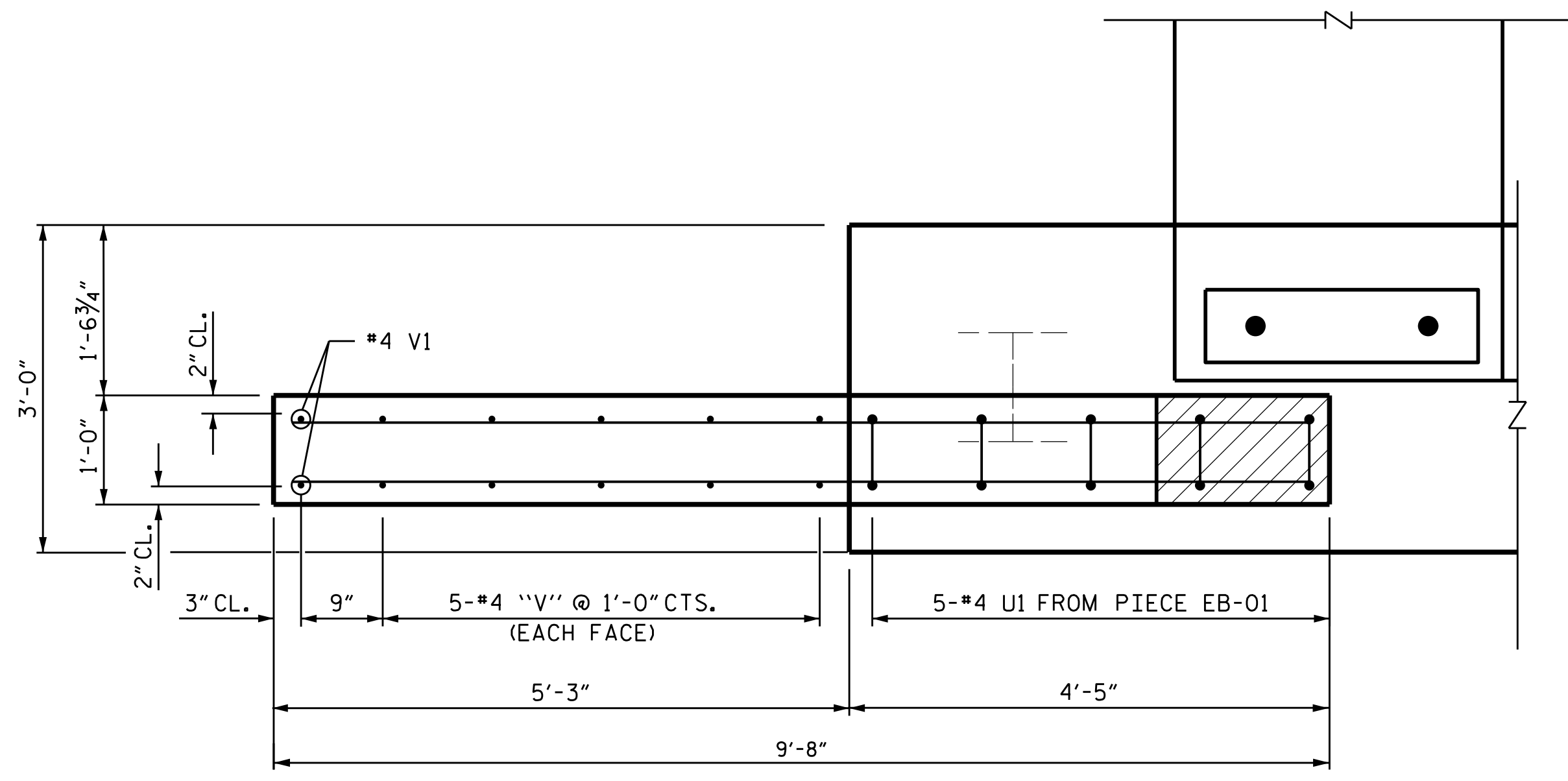
**DOCUMENT NOT CONSIDERED FINAL
 UNLESS ALL SIGNATURES COMPLETED**



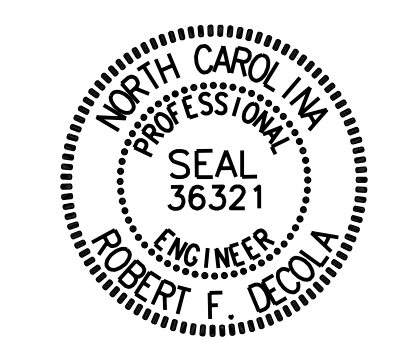
REVISIONS						SHEET NO.
NO.	BY:	DATE:	NO.	BY:	DATE:	S-12
1			3			TOTAL SHEETS
2			4			16

\$FILEL\$ 12/5/2025 \$TIME\$ \$PL TDRV\$ \$ \$PENTBL\$ \$ \$USER\$ \$ \$KCI PROJ. #221601946.09G

pww/kci-pw-bentley.com/kci-pw-05/Documents/Projects/2024/00052205.03/2 Working/Structures/Drawings/2.Final/402.025.ed10.eb1.WW_013.dgn
 12/5/2025 9:08:00 AM Robert.F.Decola KCI PROJ. #221601946.09G
 Structures.tbl KCI_Bridge_PDF.ncplctfg



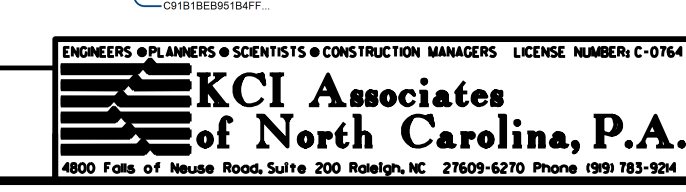
PROJECT NO. 044-01-EA41A
 HAYWOOD COUNTY
 STATION: 10+66.50 -L-
 SHEET 5 OF 8



STATE OF NORTH CAROLINA
 DEPARTMENT OF PUBLIC SAFETY
 RALEIGH
 SUBSTRUCTURE
 END BENT 1
 WING DETAILS

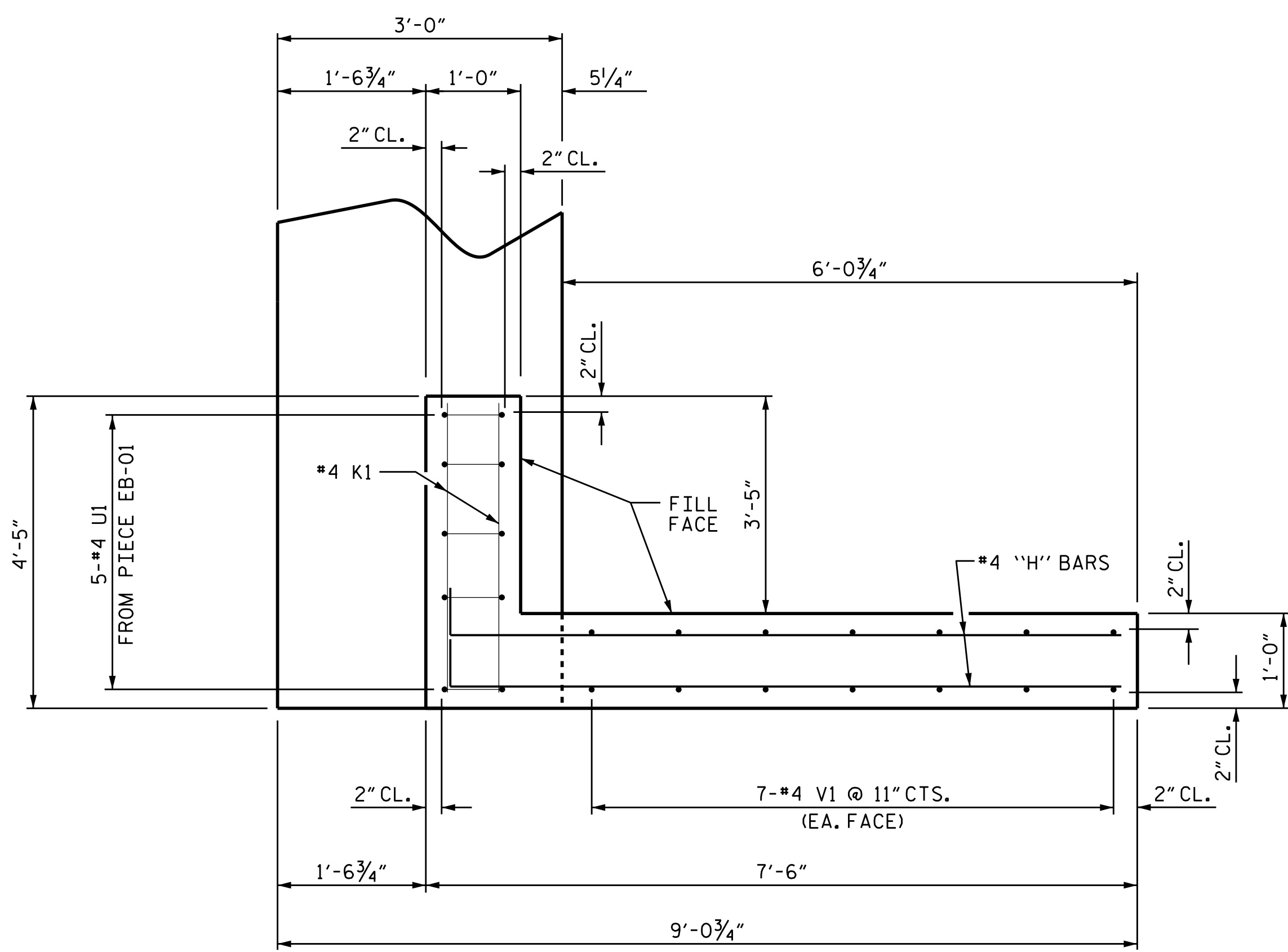
DESIGN ENGINEER OF RECORD: Robert Decola	DATE : 12/5/2025
DRAWN BY : V.L. MUMMA	DATE : 10/20/2025
CHECKED BY : M.G. ARMSTRONG	DATE : 10/21/2025

**DOCUMENT NOT CONSIDERED FINAL
UNLESS ALL SIGNATURES COMPLETED**

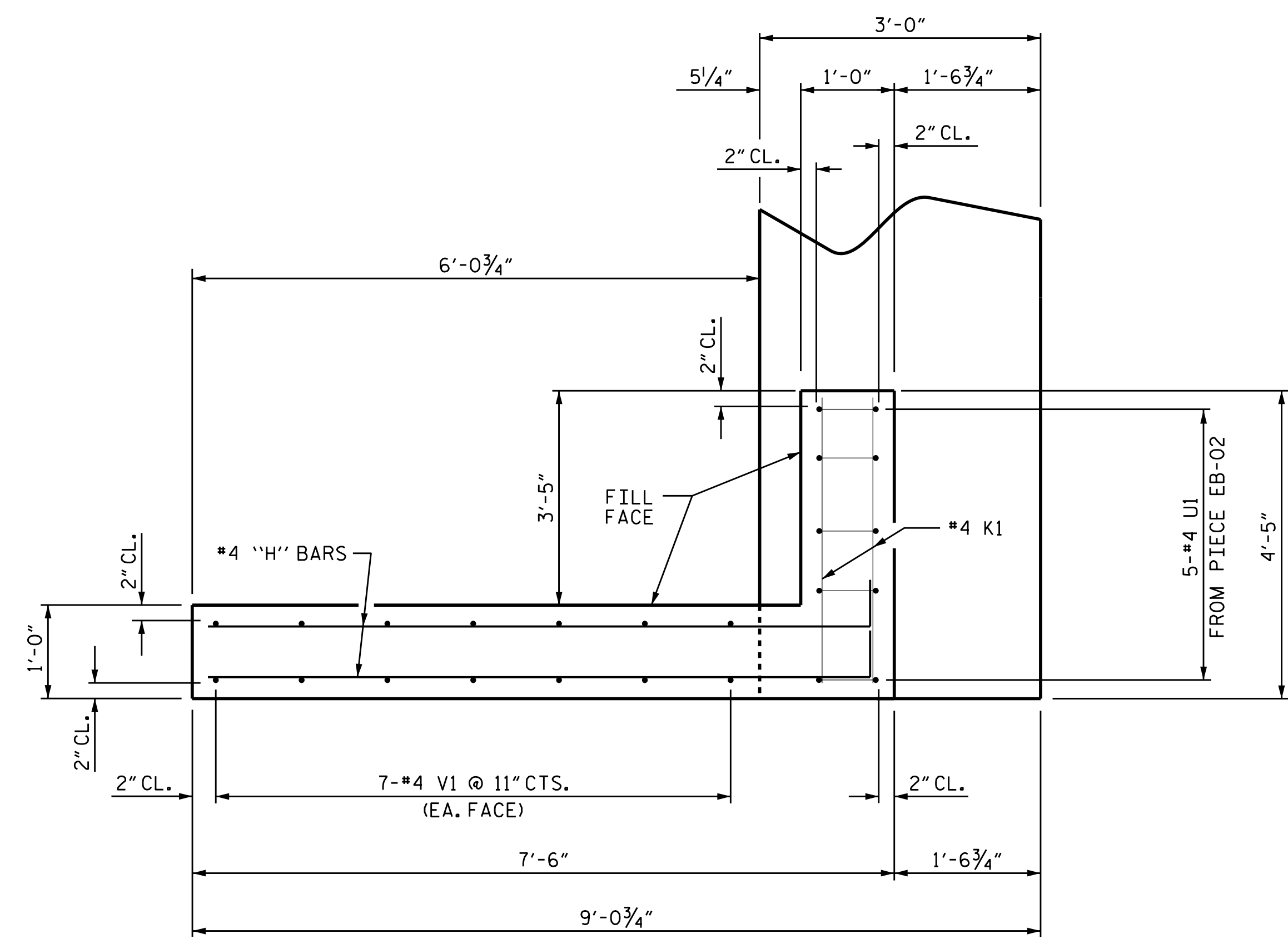


REVISIONS				SHEET NO.	
NO.	BY:	DATE:	NO.	BY:	DATE:
1			3		
2			4		

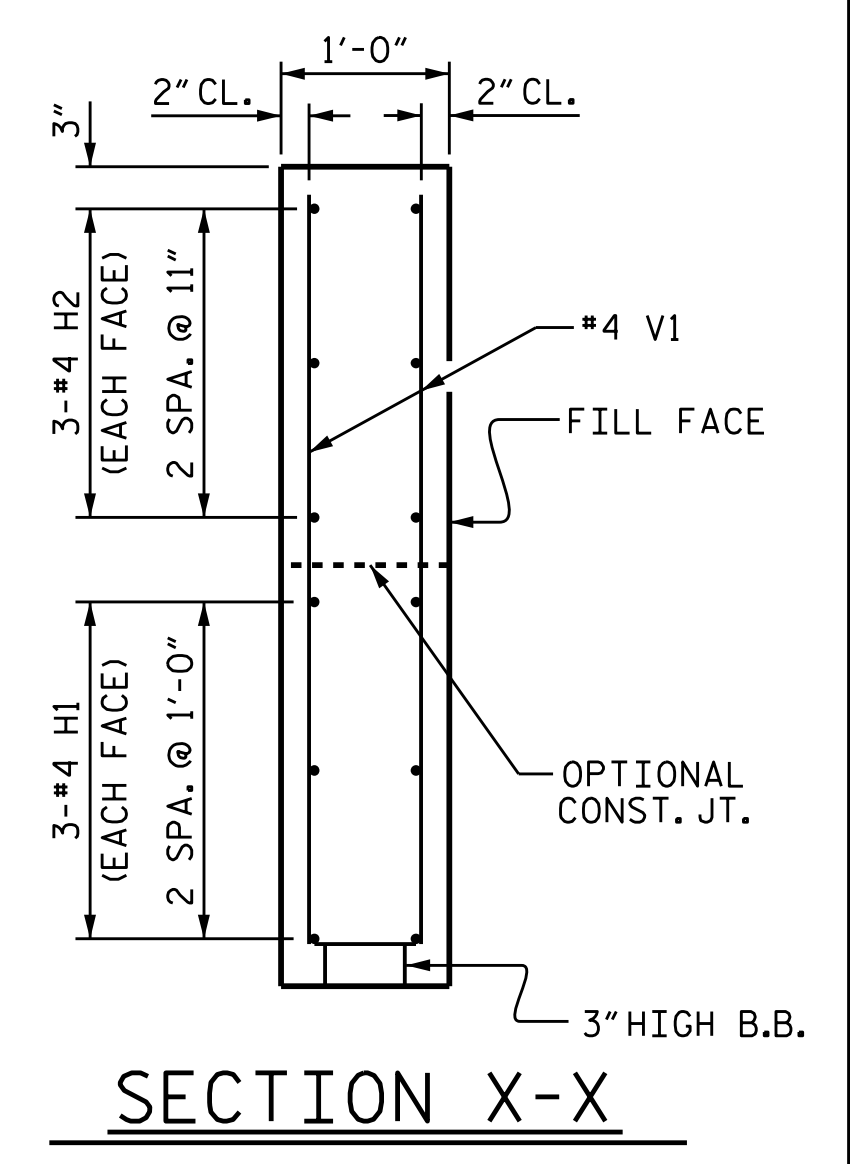
TOTAL SHEETS: 16



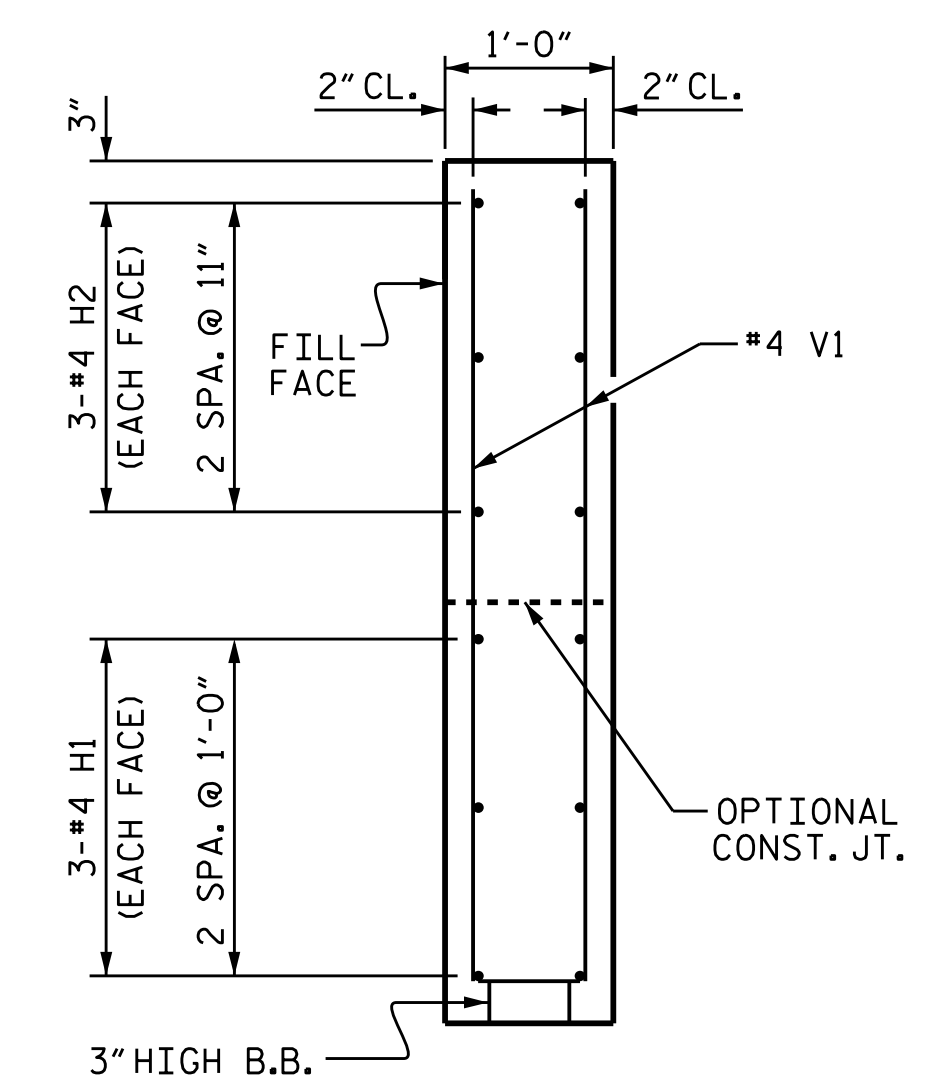
PLAN OF WING (W3)



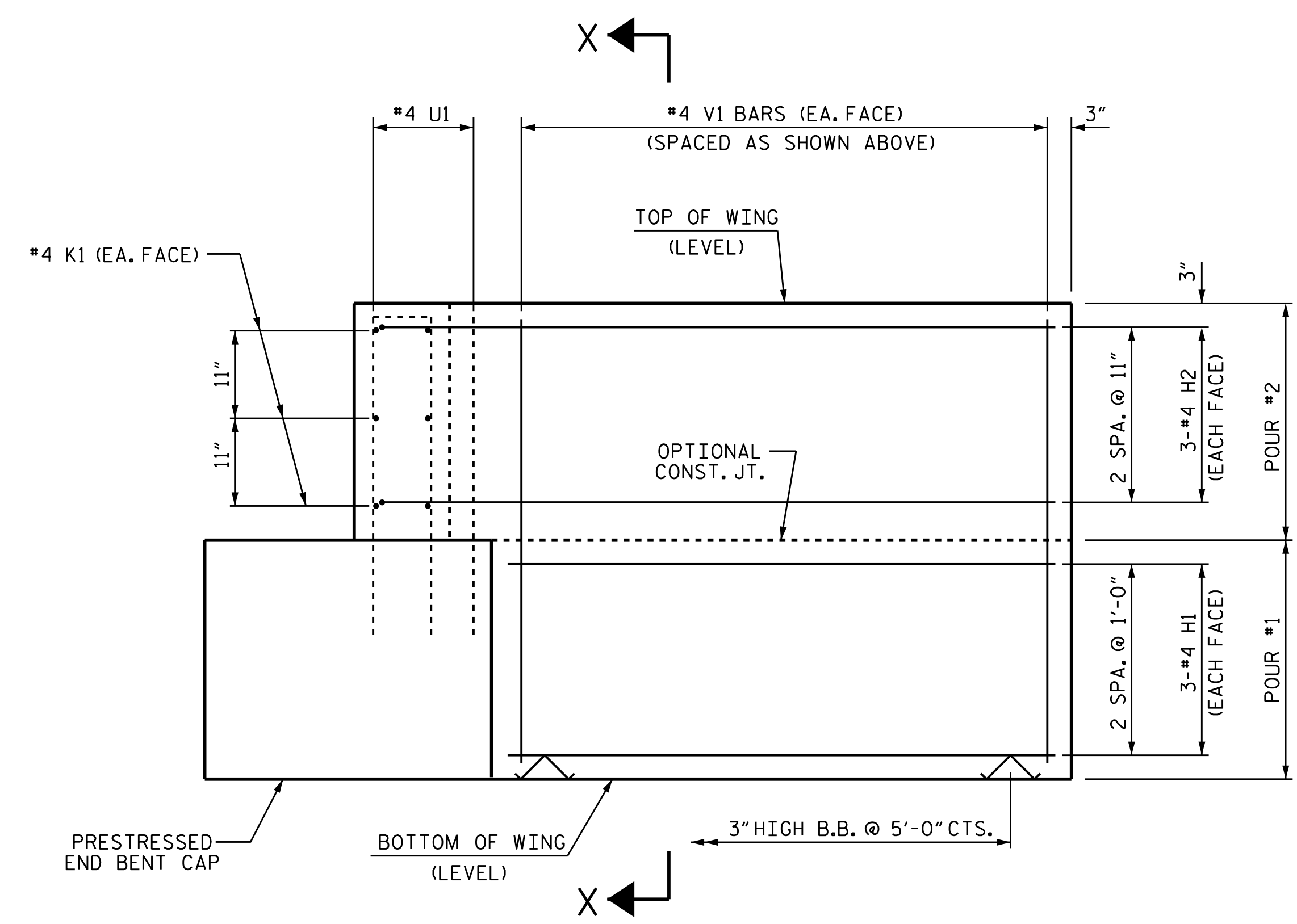
PLAN OF WING (W4)



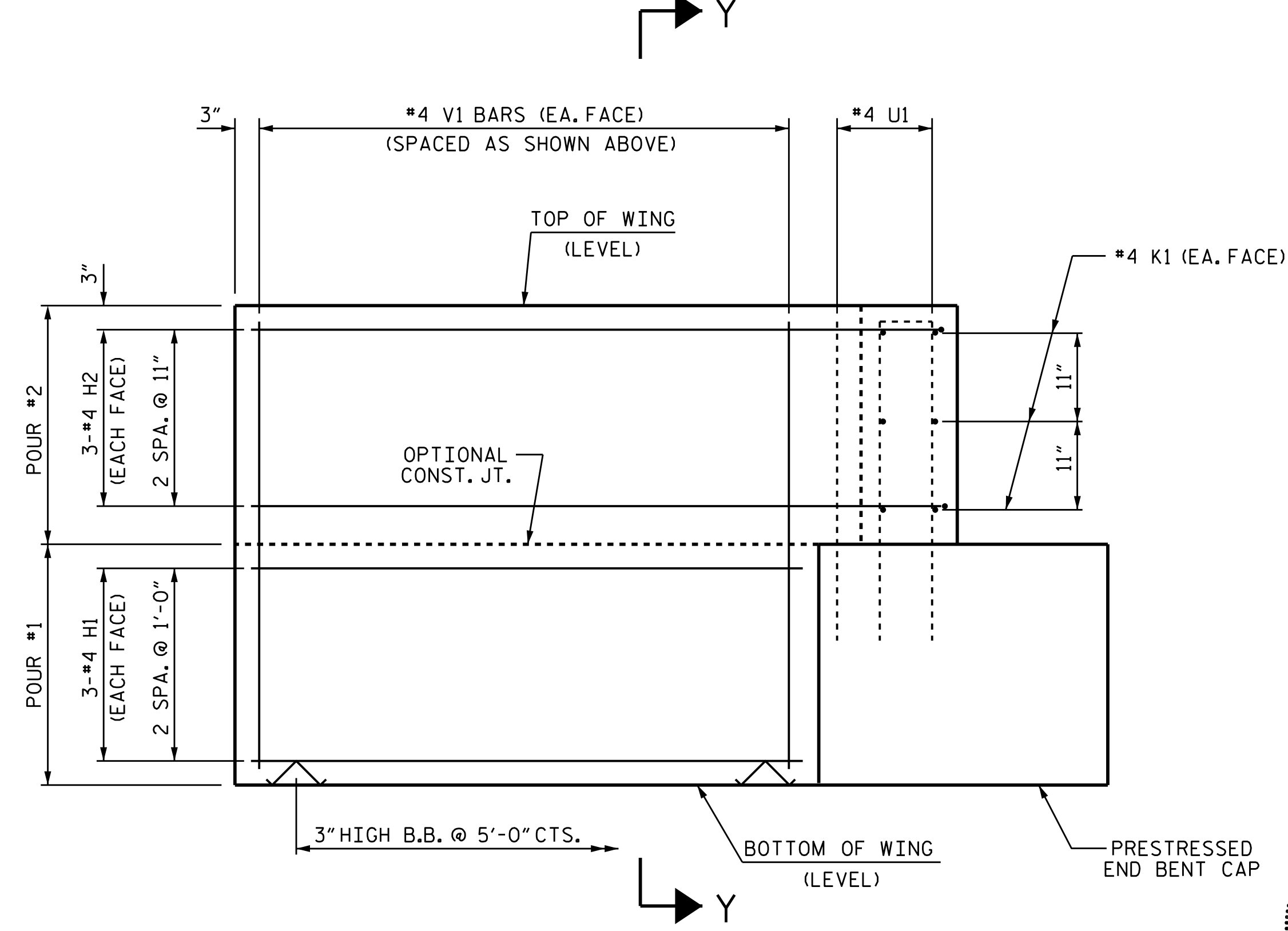
SECTION X-X



SECTION Y-Y



ELEVATION OF WING (W3)



ELEVATION OF WING (W4)

WING DETAILS

PROJECT NO. 044-01-EA41A
 HAYWOOD COUNTY
 STATION: 10+66.50 -L-
 SHEET 6 OF 8

STATE OF NORTH CAROLINA
 DEPARTMENT OF PUBLIC SAFETY
 RALEIGH

ROBERT F. DECOLA
 PROFESSIONAL ENGINEER
 SEAL 36321
 NORTH CAROLINA

12/5/2025

SUBSTRUCTURE
 END BENT 2
 WING DETAILS

DESIGN ENGINEER OF RECORD: Robert Decola	DATE : 12/5/2025
DRAWN BY : V.L. MUMMA	DATE : 10/20/25
CHECKED BY : M.G. ARMSTRONG	DATE : 10/20/25

**DOCUMENT NOT CONSIDERED FINAL
 UNLESS ALL SIGNATURES COMPLETED**

ENGINEERS & PLANNERS & SCIENTISTS & CONSTRUCTION MANAGERS LICENSE NUMBER: C-0764

KCI Associates
 of North Carolina, P.A.
 4200 Falls of Neuse Road, Suite 200 Raleigh, NC 27609-6270 Phone (919) 785-5241

REVISIONS						SHEET NO.
NO.	BY:	DATE:	NO.	BY:	DATE:	S-14
1			3			TOTAL SHEETS
2			4			16

pww/kci-pw.dentley.com/kci-pw-05/Documents/Projects/2024/00052205.03/2 Working/Structures/Drawings/2.Final/402.027.ed10.eb2.wm.014.dgn
 12/5/2025 9:08:08 AM Robert Decola KCI_Bridge_PDF.nc.plt.ctg
 KCI PROJ. #221601946.09C

NOTES

STIRRUPS IN PRESTRESSED PIECES MAY BE SHIFTED AS NECESSARY TO CLEAR DOWELS AND GROUT PIPES.

ALL PRESTRESSING STRANDS SHALL BE 7-WIRE LOW RELAXATION GRADE 270 STRANDS AND SHALL CONFORM TO AASHTO M203 EXCEPT FOR SAMPLING REQUIREMENTS WHICH SHALL BE IN ACCORDANCE WITH THE STANDARD SPECIFICATIONS.

ALL REINFORCING STEEL CAST WITH THE END BENT CAP SHALL BE GRADE 60 AND SHALL BE INCLUDED IN THE UNIT PRICE BID FOR "3'-0" x 2'-6" PRESTRESSED CONCRETE BENT CAPS".

WHEN END BENT CAPS ARE CAST, A HOLD-DOWN SYSTEM SHALL BE EMPLOYED TO PREVENT VOIDS FROM RISING OR MOVING SIDeways, AT LEAST SIX WEEKS PRIOR TO CASTING END BENT CAPS, THE CONTRACTOR SHALL SUBMIT TO THE ENGINEER FOR REVIEW AND COMMENT, DETAILED DRAWINGS OF THE PROPOSED HOLD-DOWN SYSTEM, IN ADDITION TO STRUCTURAL DETAILS, LOCATION AND SPACING OF THE HOLD-DOWNS SHALL BE INDICATED.

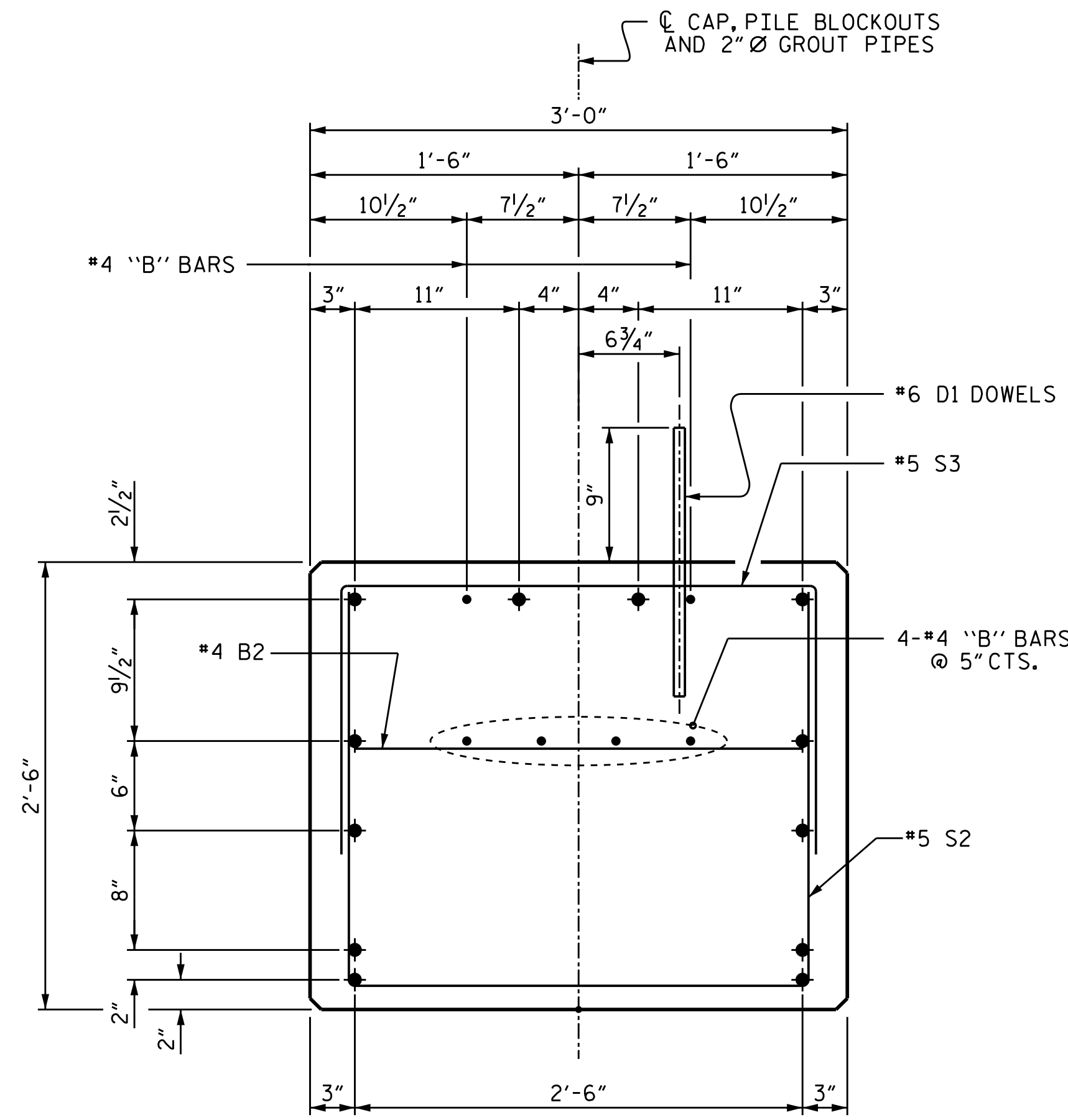
PRESTRESSING STRANDS SHALL BE CUT FLUSH WITH THE ENDS OF THE END BENT CAP SEGMENTS.

APPLY EPOXY PROTECTIVE COATING TO THE EXTERIOR END FACE OF PRESTRESSED PIECE EB-01 AND EB-02.

THE TRANSFER OF LOAD FROM THE ANCHORAGES TO THE END BENT CAPS SHALL BE DONE WHEN THE CONCRETE HAS REACHED A COMPRESSIVE STRENGTH OF NOT LESS THAN 3000 PSI.

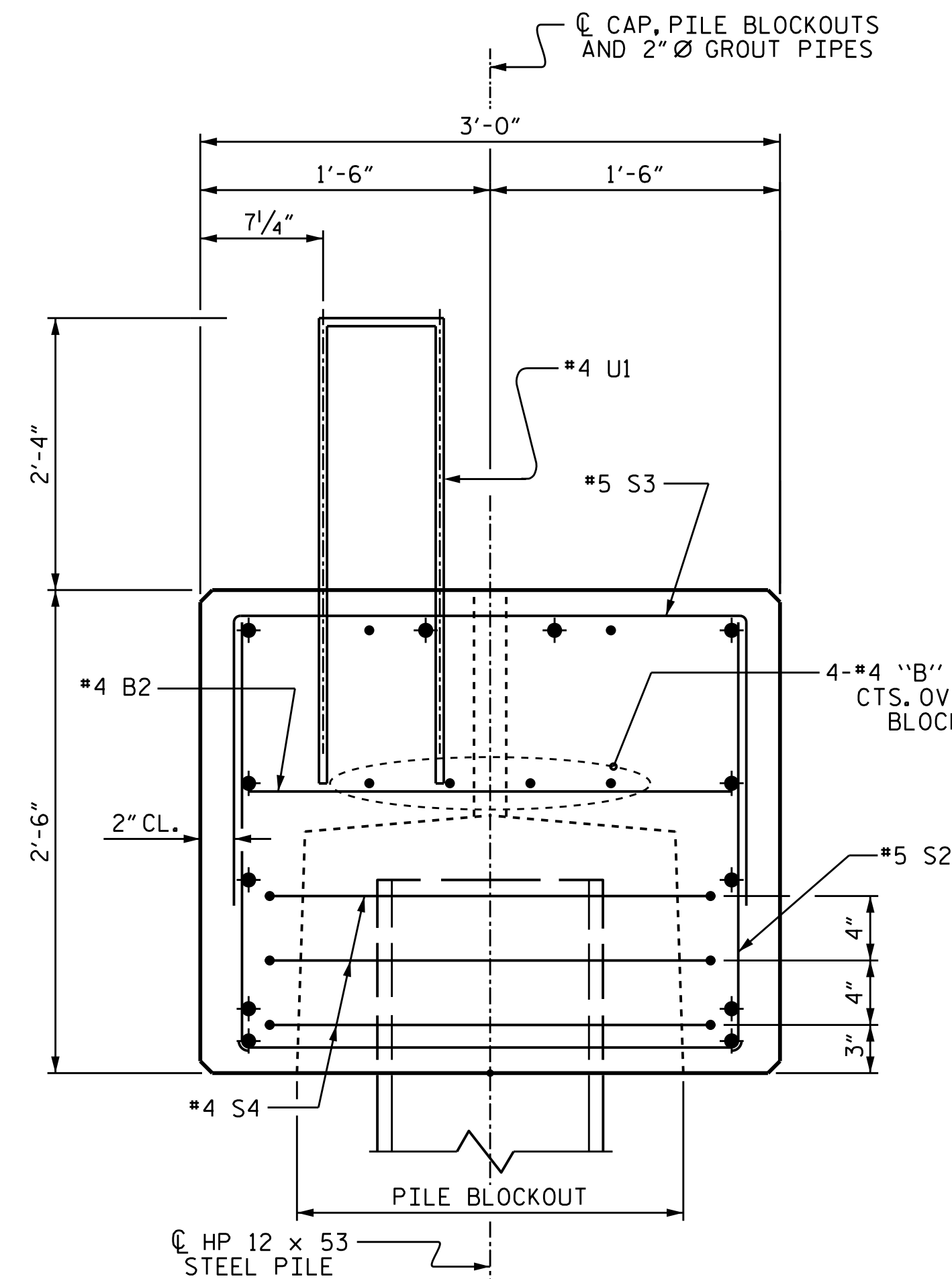
THE CONTRACTOR SHALL SUBMIT TO THE ENGINEER FOR APPROVAL A METHOD TO LIFT AND SUPPORT THE PRESTRESSED CAP PIECES IN THE PROPER LOCATION AND ELEVATION AS SHOWN ON THE PLANS PRIOR TO PLACEMENT AND CURING OF THE GROUT IN THE PILE BLOCKOUTS. THE METHOD CHOSEN SHALL PROVIDE FOR A WATERTIGHT SEAL AT THE BOTTOM OF THE CAP UNTIL THE GROUT HAS HARDENED SO NO GROUT COMES IN CONTACT WITH THE STREAM.

◆ DENOTES PRESTRESSED STRAND



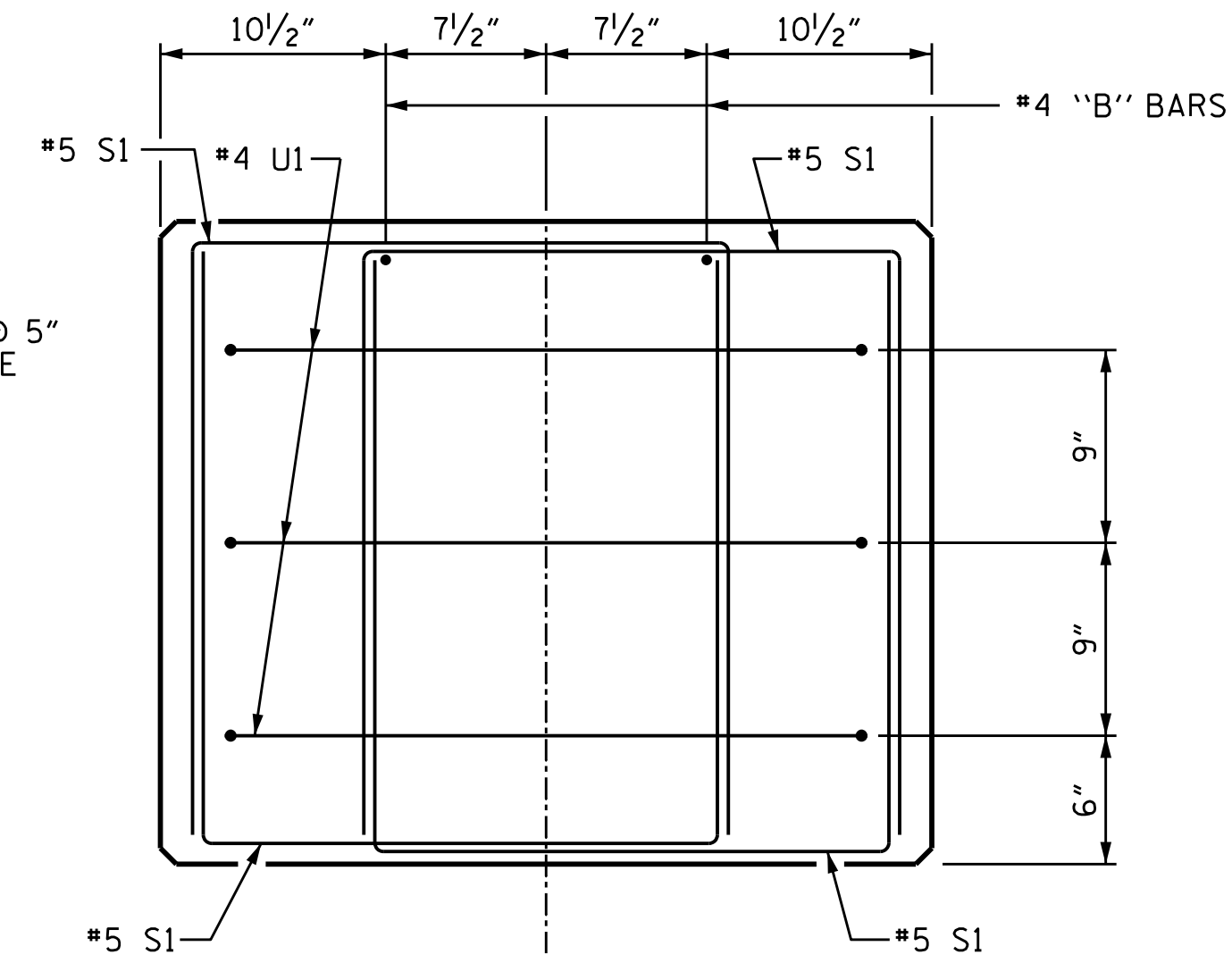
SECTION A-A

(SHOWING 0.6" Ø LOW RELAXATION STRAND LAYOUT)
(12 STRANDS)
"U" BARS NOT SHOWN FOR CLARITY



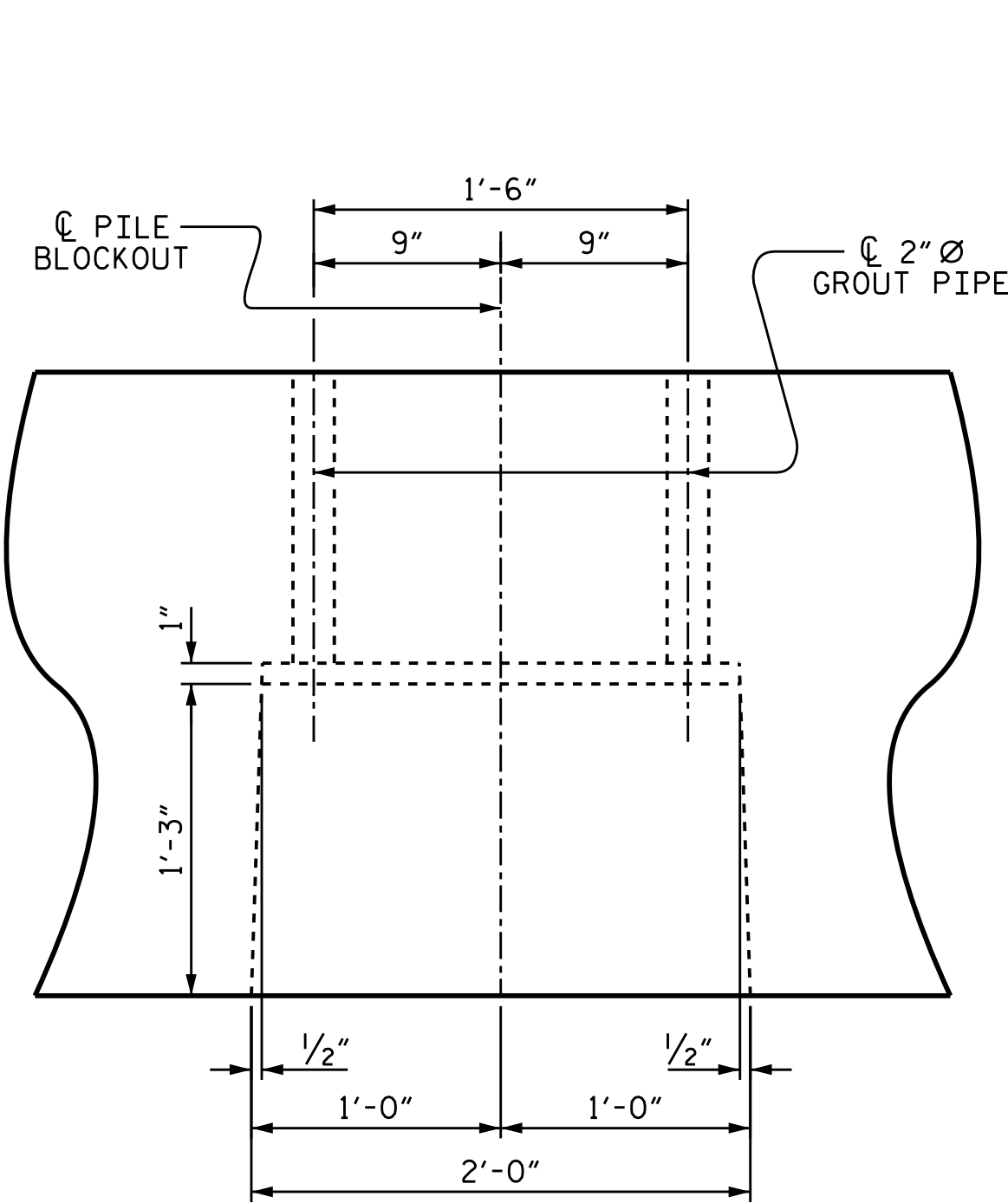
SECTION B-B

D1 BARS NOT SHOWN FOR CLARITY

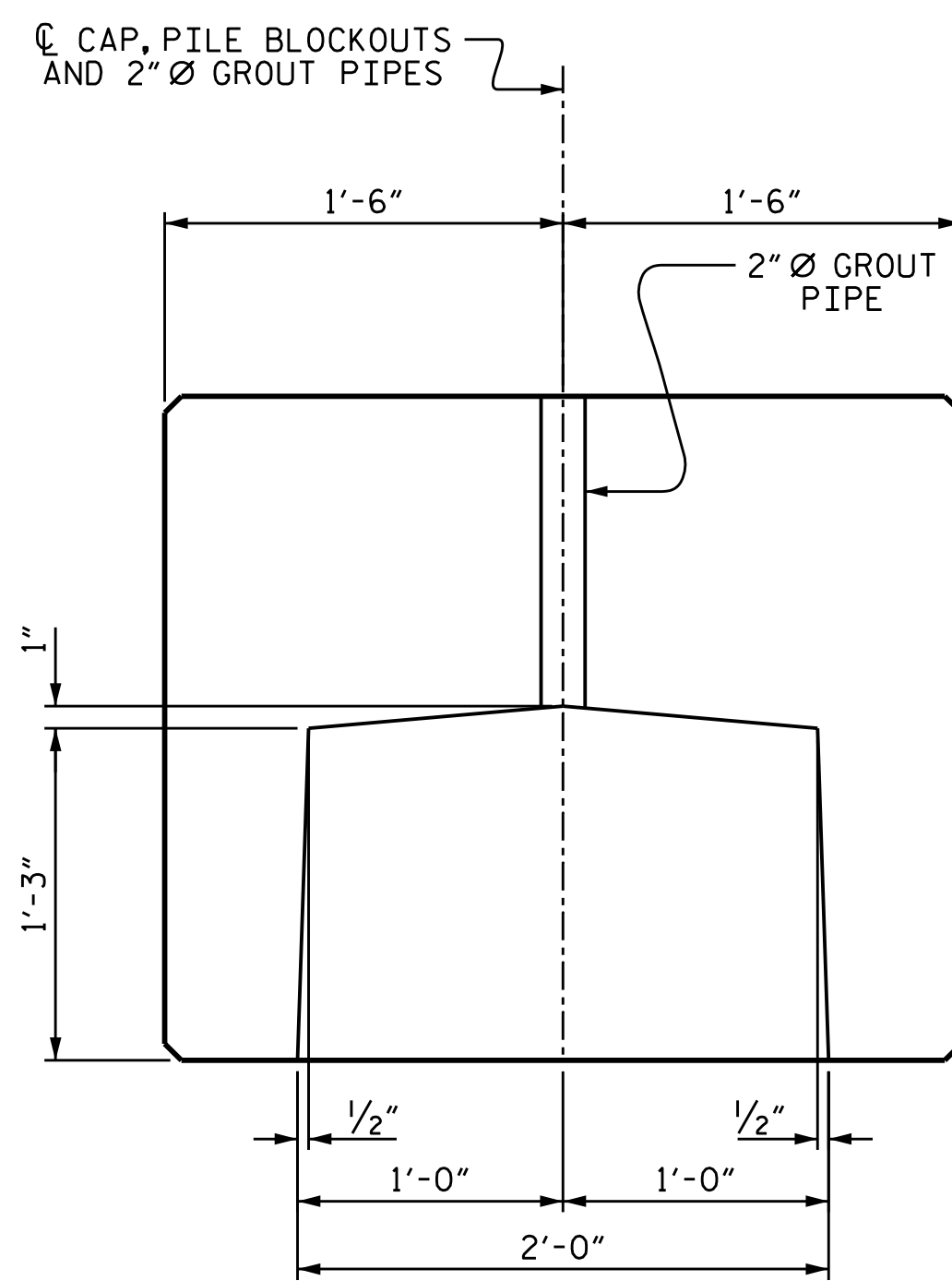


END OF CAP VIEW

(TYPICAL BOTH ENDS)



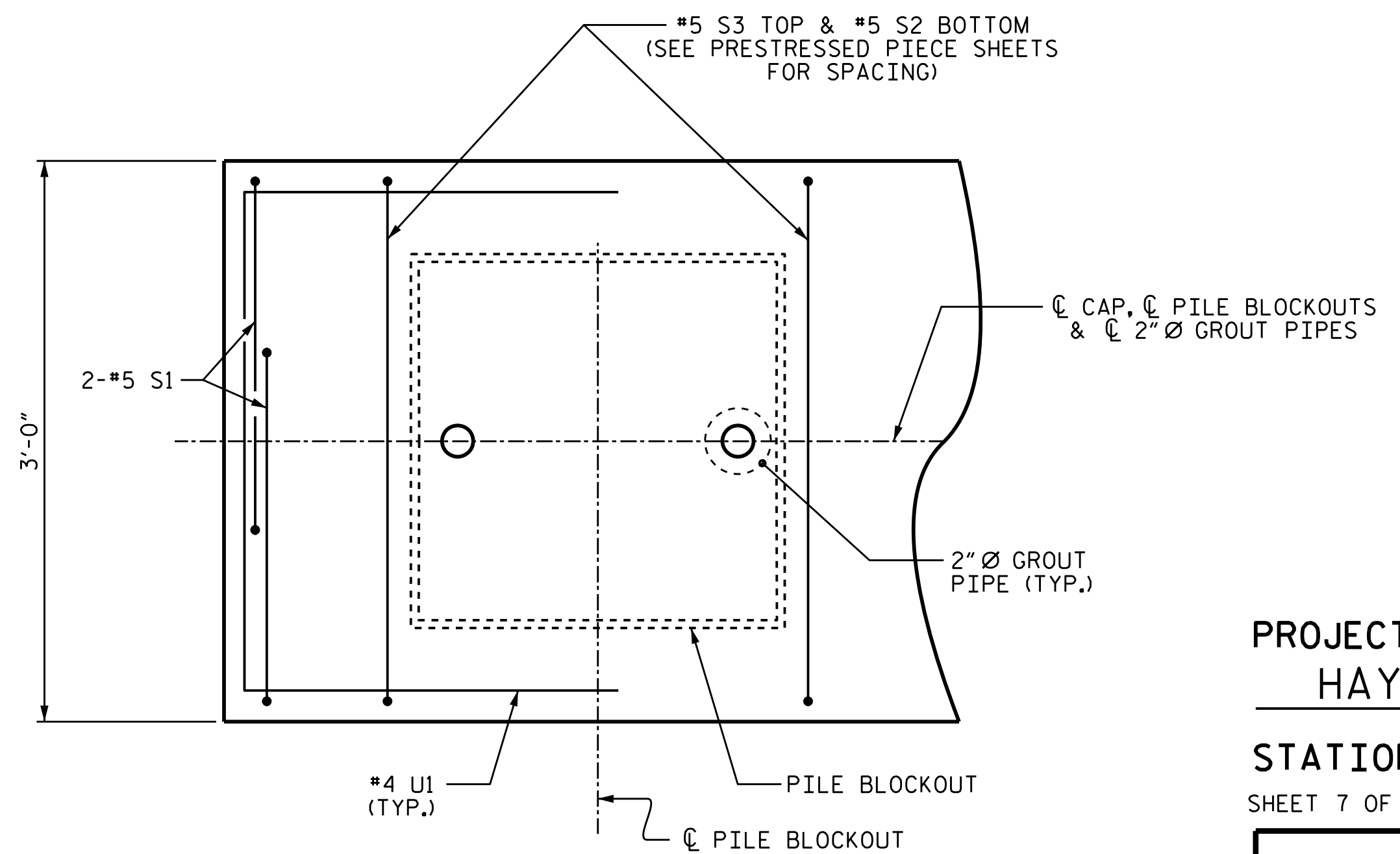
ELEVATION



SECTION

PILE BLOCKOUT DETAILS

(DIMENSIONS ARE TYPICAL EACH BLOCKOUT)



PART PLAN-END OF CAP

(TYPICAL BOTH ENDS)

PROJECT NO. 044-01-EA41A

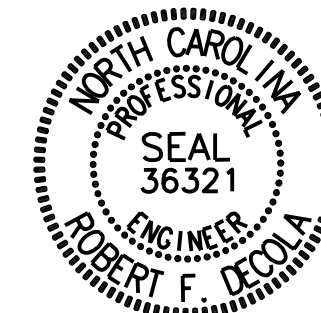
HAYWOOD COUNTY

STATION: 10+66.50 -L-

SHEET 7 OF 8

STATE OF NORTH CAROLINA
DEPARTMENT OF PUBLIC SAFETY
RALEIGH

SUBSTRUCTURE
END BENT DETAILS



12/5/2025

DESIGN ENGINEER OF RECORD: Robert Decola	DATE : 12/5/2025
DRAWN BY : V.L. MUMMA	DATE : 10/20/25
CHECKED BY : M.G. ARMSTRONG	DATE : 10/20/25

**DOCUMENT NOT CONSIDERED FINAL
UNLESS ALL SIGNATURES COMPLETED**

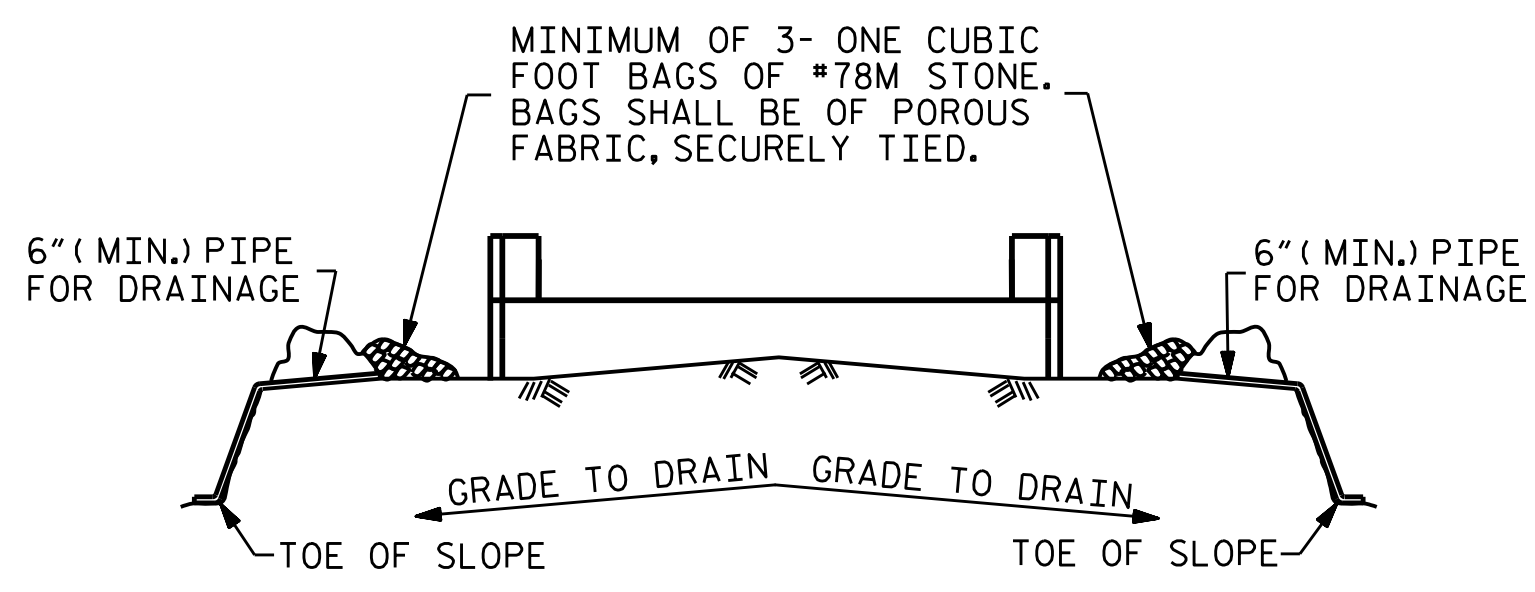


REVISIONS				SHEET NO.	
NO.	BY:	DATE:	NO.	BY:	DATE:
1			3		
2			4		

TOTAL SHEETS: 16

STD. NO. PSEBT

pww://kci-pw-bentley.com/kci-pw-05/Documents/Projects/2024/00052205.03/2 Working/Structures/Drawing/2.Final/402-029.ed01a.EB.DET.015.dgn
 12/5/2025 9:08:38 AM Robert F. Decola
 KCI PROJ. #221601946.09G

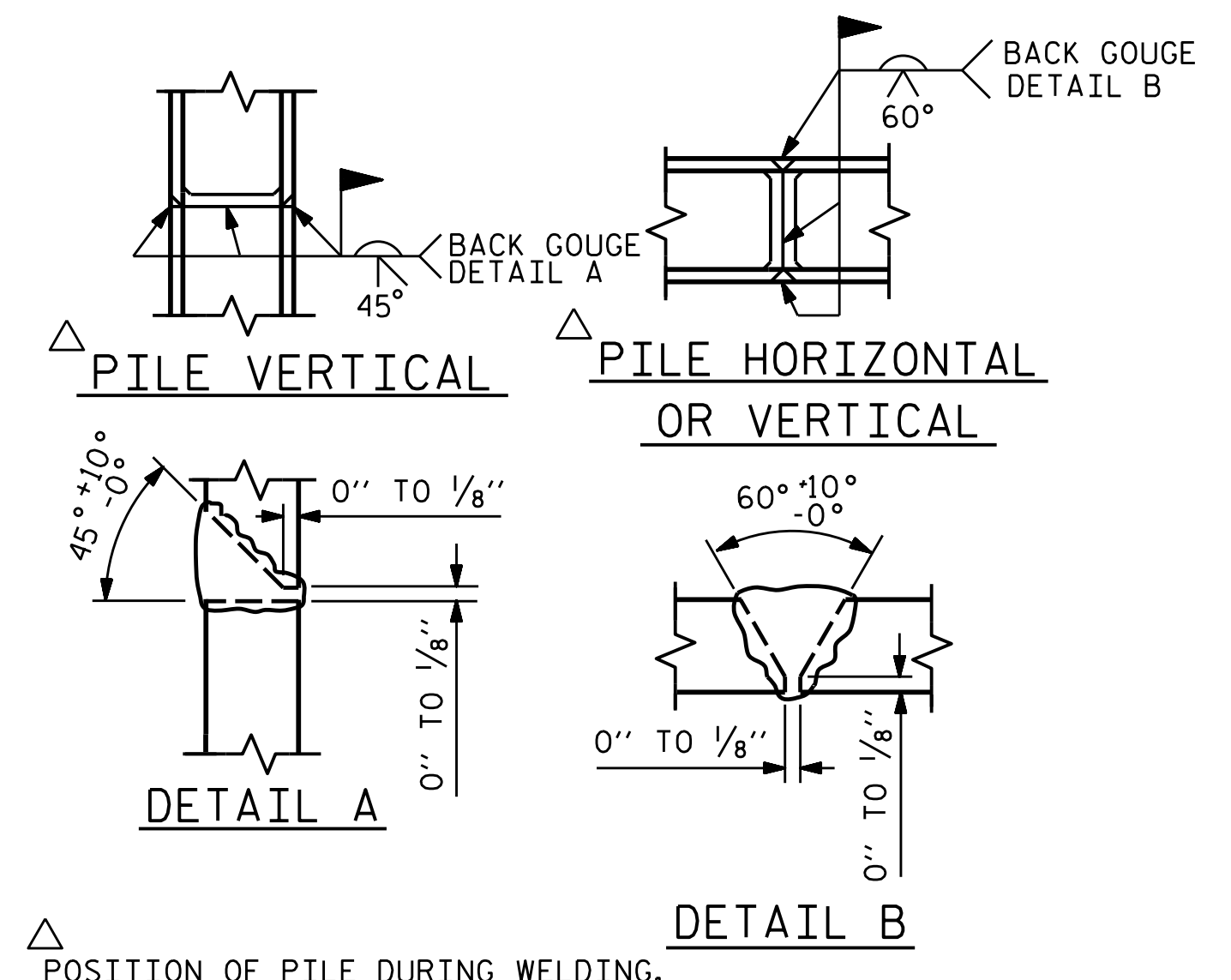


BAGGED STONE AND PIPE SHALL BE PLACED IMMEDIATELY AFTER COMPLETION OF END BENT EXCAVATION. PIPE MAY BE EITHER CONCRETE, CORRUGATED STEEL, CORRUGATED ALUMINUM ALLOY, OR CORRUGATED PLASTIC. PERFORATED PIPE WILL NOT BE ALLOWED.

BAGGED STONE SHALL REMAIN IN PLACE UNTIL THE ENGINEER DIRECTS THAT IT BE REMOVED. THE CONTRACTOR SHALL REMOVE AND DISPOSE OF SILT ACCUMULATIONS AT BAGGED STONE WHEN SO DIRECTED BY THE ENGINEER. BAGS SHALL BE REMOVED AND REPLACED WHENEVER THE ENGINEER DETERMINES THAT THEY HAVE DETERIORATED AND LOST THEIR EFFECTIVENESS.

NO SEPARATE PAYMENT WILL BE MADE FOR THIS WORK AND THE ENTIRE COST OF THIS WORK SHALL BE INCLUDED IN THE UNIT CONTRACT PRICE BID FOR THE SEVERAL PAY ITEMS.

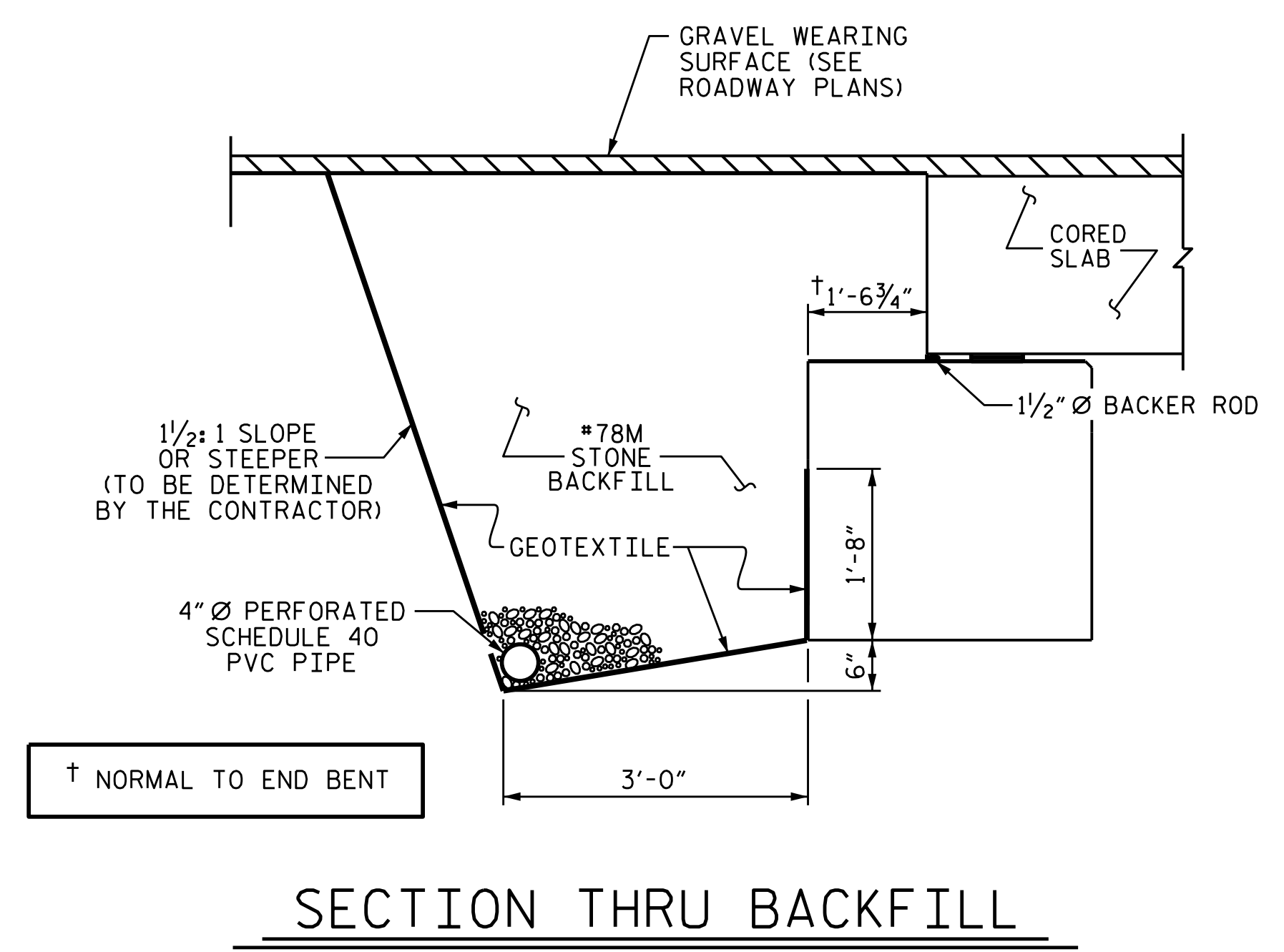
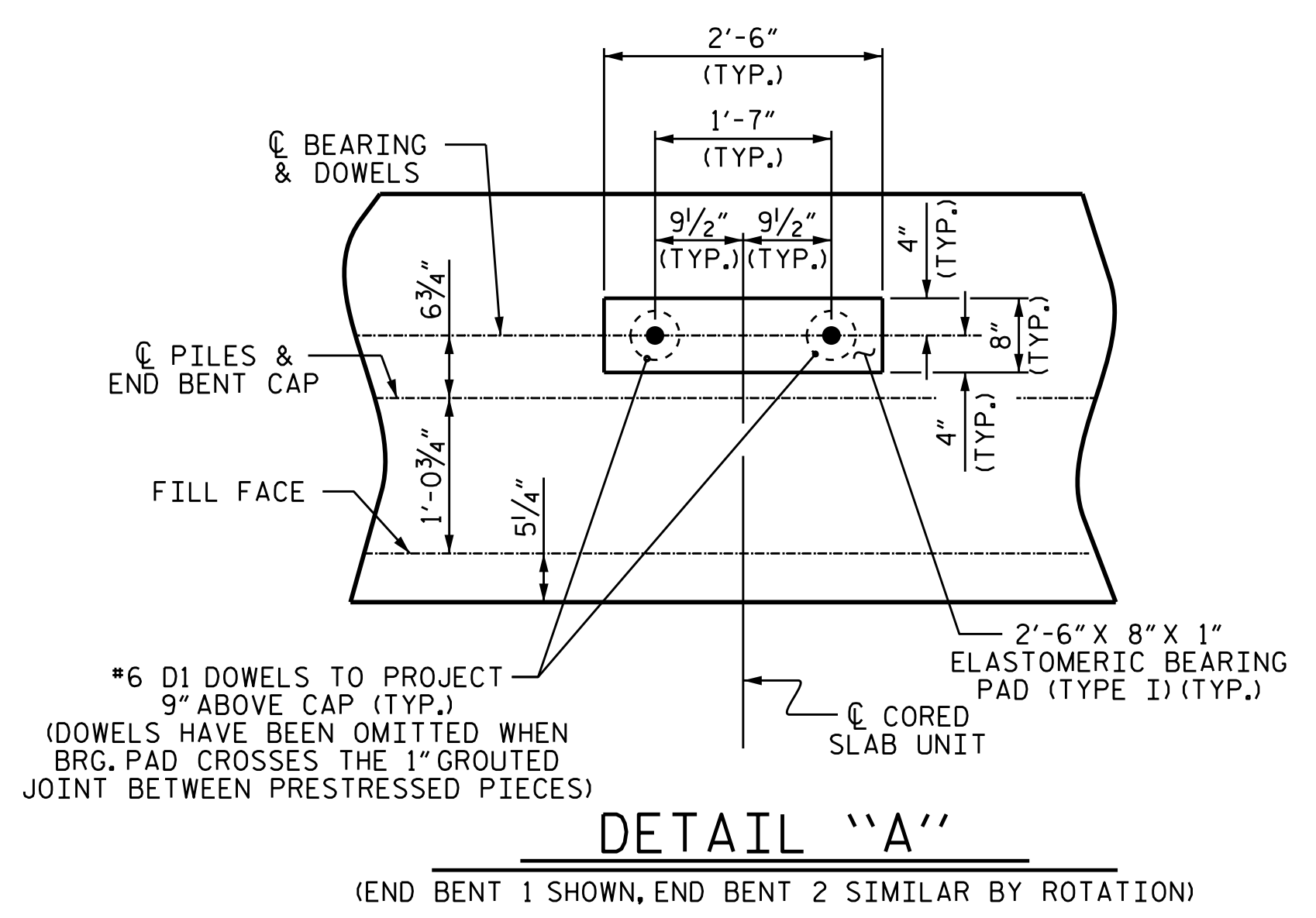
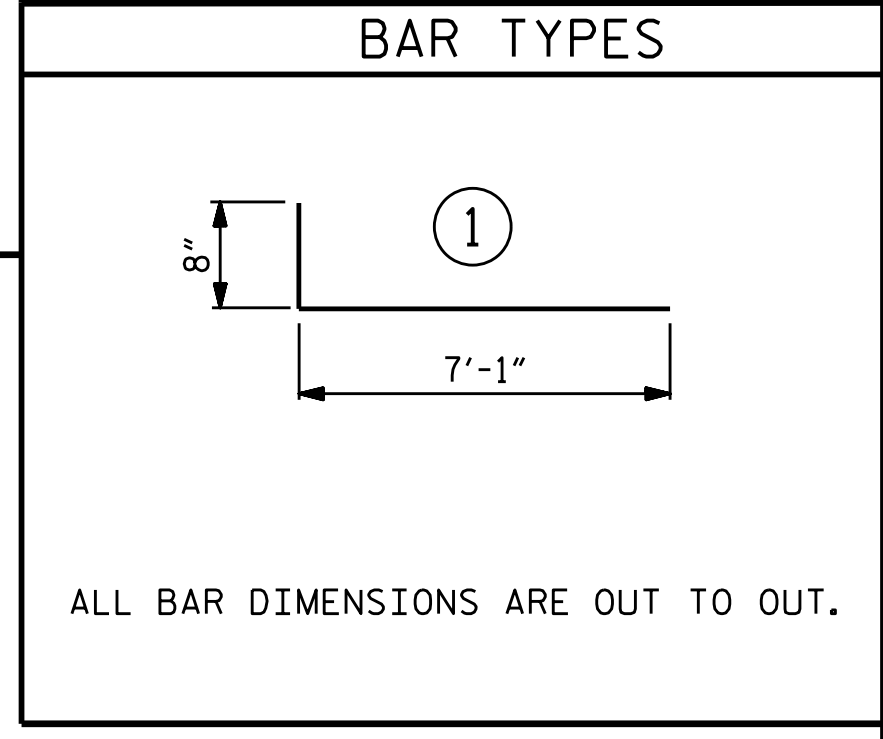
TEMPORARY DRAINAGE AT END BENT



PILE SPLICE DETAILS

BILL OF MATERIAL

WINGS FOR END BENT 1					WINGS FOR END BENT 2						
BAR NO.	SIZE	TYPE	LENGTH	WEIGHT	BAR NO.	SIZE	TYPE	LENGTH	WEIGHT		
H1	12	#4	STR	4'-9"	38	H1	12	#4	STR	5'-8"	45
H2	4	#4	STR	8'-1"	22	H2	12	#4	1	7'-9"	62
H3	4	#4	STR	6'-3"	17						
H4	4	#4	STR	4'-6"	12	K1	12	#4	STR	2'-11"	23
V1	4	#4	STR	2'-2"	6	V1	28	#4	STR	4'-8"	87
V2	4	#4	STR	2'-6"	7						
V3	4	#4	STR	2'-11"	8						
V4	4	#4	STR	3'-5"	9						
V5	4	#4	STR	3'-11"	10						
V6	4	#4	STR	4'-4"	12						
REINFORCING STEEL					217 LBS.						
CLASS A CONCRETE BREAKDOWN											
POUR #1 LOWER PART OF WINGS					1.1 C.Y.						
POUR #2 UPPER PART OF WINGS					2.0 C.Y.						
TOTAL CLASS A CONCRETE					3.1 C.Y.						
REINFORCING STEEL					141 LBS.						
CLASS A CONCRETE BREAKDOWN											
POUR #1 LOWER PART OF WINGS					1.0 C.Y.						
POUR #2 UPPER PART OF WINGS					1.3 C.Y.						
TOTAL CLASS A CONCRETE					2.3 C.Y.						



NOTES

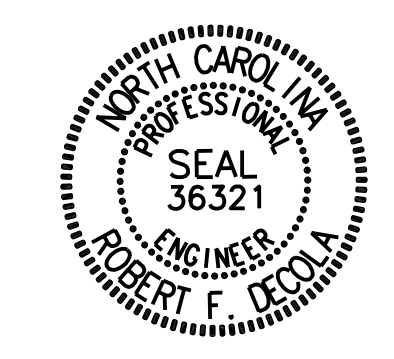
FOR PRESTRESSED CAP DETAILS, SEE "PRESTRESSED PIECE EB-01" & "PRESTRESSED PIECE EB-02" SHEETS.

FOR GROUT FOR STRUCTURES, SEE SPECIAL PROVISIONS.

FOR 3'-0" x 2'-6" PRESTRESSED CONCRETE BENT CAPS, SEE SPECIAL PROVISIONS.

THE CONCRETE IN THE SHADED AREA OF THE WING SHALL BE POURED AFTER THE CONCRETE CURB IS CAST IF SLIP FORMING IS USED.

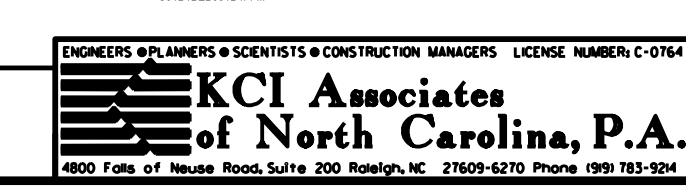
PROJECT NO. 044-01-EA41A
HAYWOOD COUNTY
 STATION: 10+66.50 -L-
 SHEET 8 OF 8



STATE OF NORTH CAROLINA
 DEPARTMENT OF PUBLIC SAFETY
 RALEIGH
 SUBSTRUCTURE
 END BENT DETAILS

DESIGN ENGINEER OF RECORD: Robert Decola	DATE : 12/5/2025
DRAWN BY : V.L. MUMMA	DATE : 10/20/25
CHECKED BY : M.G. ARMSTRONG	DATE : 10/20/25

**DOCUMENT NOT CONSIDERED FINAL
 UNLESS ALL SIGNATURES COMPLETED**



REVISIONS				SHEET NO.	
NO.	BY:	DATE:	NO.	BY:	DATE:
1			3		
2			4		

TOTAL SHEETS	16
--------------	----

pww/kci-pw-bentley.com/kci-pw-05/Documents/Projects/2024/00052205.03/2 Working/Structures/Drawings/2. Final/402_031_ea41c_eb_det2.016.dgn
 12/5/2025 9:08:43 AM Robert F. Decola
 KCI PROJ. #221601946.09C
 Structures.tbl
 KCI_Bridge_PDF.ncplctfg

DIVISION OF HIGHWAYS
STATE OF NORTH CAROLINA

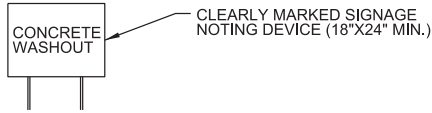
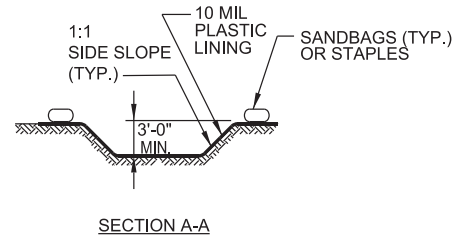
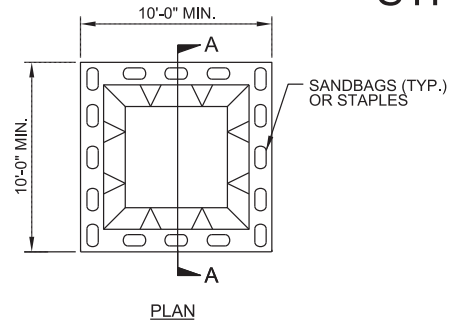
SOIL STABILIZATION TIMEFRAMES

PROJECT REFERENCE NO. <i>PRB</i>	SHEET NO. <i>EC-2</i>
ROADWAY DESIGN ENGINEER	HYDRAULICS ENGINEER

<i>SITE DESCRIPTION</i>	<i>STABILIZATION TIME</i>	<i>TIMEFRAME EXCEPTIONS</i>
PERIMETER DIKES, SWALES, DITCHES AND SLOPES	7 DAYS	NONE
HIGH QUALITY WATER (HOW) ZONES	7 DAYS	NONE
SLOPES STEEPER THAN 3:1	7 DAYS	IF SLOPES ARE 10' OR LESS IN LENGTH AND ARE NOT STEEPER THAN 2:1, 14 DAYS ARE ALLOWED.
SLOPES 3:1 TO 4:1	14 DAYS	7 DAYS FOR SLOPES GREATER THAN 50' IN LENGTH WITH SLOPES STEEPER THAN 4:1. 7 DAYS FOR PERIMETER DIKES, SWALES, DITCHES PERIMETER SLOPES, AND HOW ZONES
ALL OTHER AREAS WITH SLOPES FLATTER THAN 4:1	14 DAYS	7 DAYS FOR PERIMETER DIKES, SWALES, DITCHES PERIMETER SLOPES, AND HOW ZONES

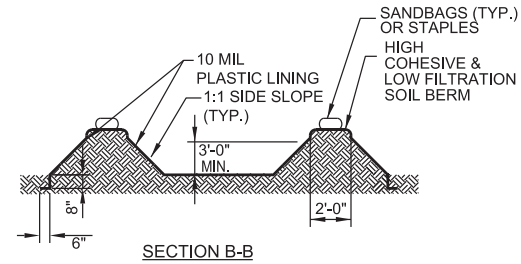
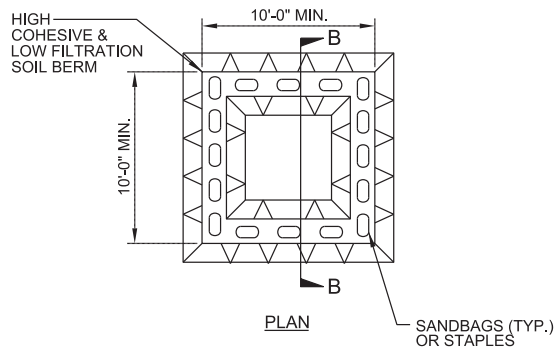
ONSITE CONCRETE WASHOUT STRUCTURE WITH LINER

PROJECT REFERENCE NO. <i>PRB</i>	SHEET NO. <i>EC-2</i>
R/W SHEET NO.	
ROADWAY DESIGN ENGINEER	HYDRAULICS ENGINEER



BELOW GRADE WASHOUT STRUCTURE
NOT TO SCALE

- NOTES:**
1. ACTUAL LOCATION DETERMINED IN FIELD
 2. THE CONCRETE WASHOUT STRUCTURES SHALL BE MAINTAINED WHEN THE LIQUID AND/OR SOLID REACHES 75% OF THE STRUCTURES CAPACITY TO PROVIDE ADEQUATE HOLDING CAPACITY WITH A MINIMUM 12 INCHES OF FREEBOARD.
 3. CONCRETE WASHOUT STRUCTURE NEEDS TO BE CLEARLY MARKED WITH SIGNAGE NOTING DEVICE.



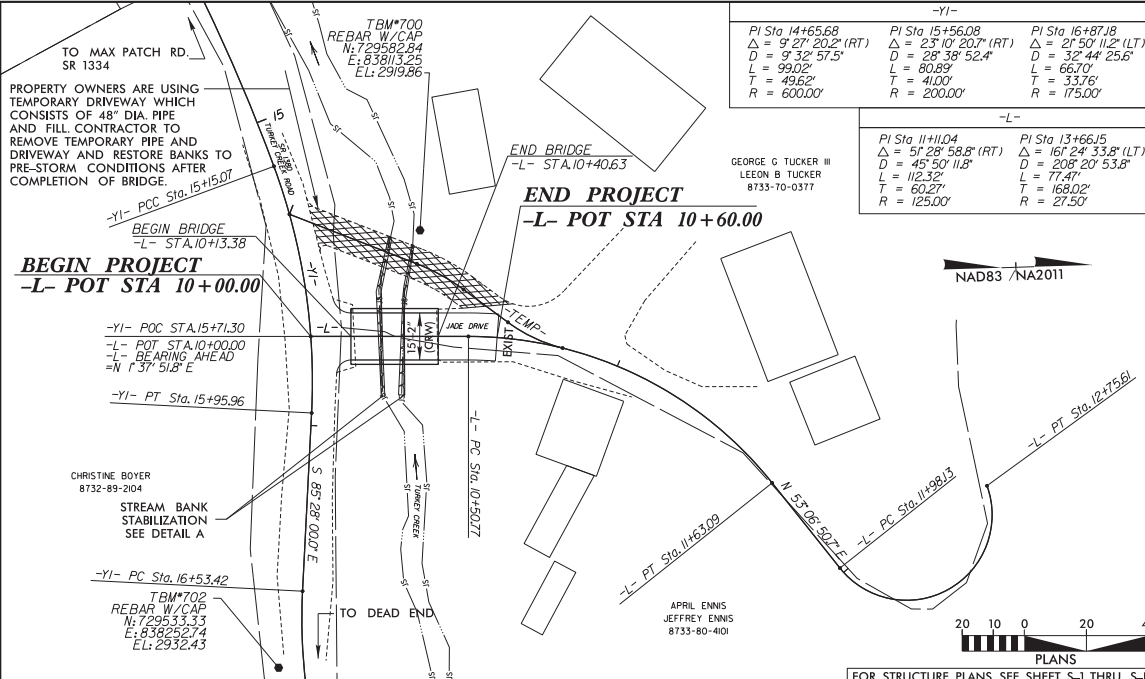
ABOVE GRADE WASHOUT STRUCTURE
NOT TO SCALE

- NOTES:**
1. ACTUAL LOCATION DETERMINED IN FIELD
 2. THE CONCRETE WASHOUT STRUCTURES SHALL BE MAINTAINED WHEN THE LIQUID AND/OR SOLID REACHES 75% OF THE STRUCTURES CAPACITY TO PROVIDE ADEQUATE HOLDING CAPACITY WITH A MINIMUM 12 INCHES OF FREEBOARD.
 3. CONCRETE WASHOUT STRUCTURE NEEDS TO BE CLEARLY MARKED WITH SIGNAGE NOTING DEVICE.

Bridge Contract No.
DBB-14-1b

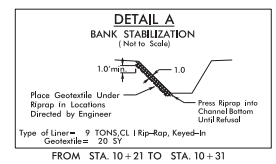
Site # 044-01-cdc5b Jade Drive over Turkey Creek in
Haywood County

8/17/09



STATE OF NORTH CAROLINA
DEPARTMENT OF PUBLIC SAFETY
HAYWOOD COUNTY

LOCATION: BRIDGE OVER TURKEY CREEK ON JADE DRIVE



CONTRACTOR TO ENSURE THAT RESIDENTS ON TURKEY CREEK ROAD AND JADE DRIVE CAN ACCESS THEIR PROPERTIES THROUGHOUT DURATION OF PROJECT. NOTIFY RESIDENTS OF ANY TEMPORARY LANE CLOSURES NEEDED FOR BRIDGE CONSTRUCTION.

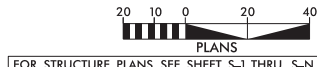
I HEREBY CERTIFY THAT I HAVE REVIEWED THE EXISTING HYDRAULIC CONVEYANCE AT THIS SITE WHICH WAS AN UNKNOWN EXISTING BRIDGE WITH THE PROPOSED CONVEYANCE PROVIDED BY THE PROPOSED 25 FEET SPAN BRIDGE. SPAN LENGTH WAS DETERMINED BASED ON DOWNSTREAM NC DOT STRUCTURES WITH BRIDGE LENGTHS BETWEEN 16.5 FEET AND 18.5 FEET.

THE PROPOSED BRIDGE LOW CHORD SHALL BE SET NO LOWER THAN THE TOP OF THE EXISTING TEMPORARY PIPE WHICH MEETS THE FEMA DISASTER SPECIFIC GUIDANCE FOR THE REPLACEMENT OF PRIVATE ROADS AND BRIDGES ISSUED ON 14 FEBRUARY 2025. TO PROVIDE BRIDGE/CULVERT DESIGN PLANS CERTIFIED (SEALED, SIGNED, AND DATED) BY A PROFESSIONAL ENGINEER LICENSED IN THE STATE OF NORTH CAROLINA DEMONSTRATING THAT THE NEWLY DESIGNED AND INSTALLED PRIVATE BRIDGE/CULVERT PROVIDES CONVEYANCE GREATER THAN OR EQUAL TO THE ORIGINAL DESTROYED CROSSING."

THIS CERTIFICATION DEMONSTRATES THAT THE NEWLY DESIGNED AND INSTALLED PRIVATE BRIDGE PROVIDES CONVEYANCE GREATER THAN OR EQUAL TO THE ORIGINAL DESTROYED CROSSING. THIS IS BASED ON THE BEST AVAILABLE DATA PROVIDED FROM POST STORM EVALUATIONS. PORTIONS OF THE EXISTING STRUCTURES MAY HAVE BEEN DESTROYED, REMOVED, MODIFIED OR SHIFTED FROM THEIR ORIGINAL LOCATION OR ELEVATION.

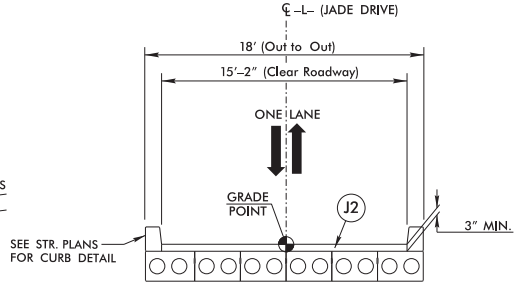
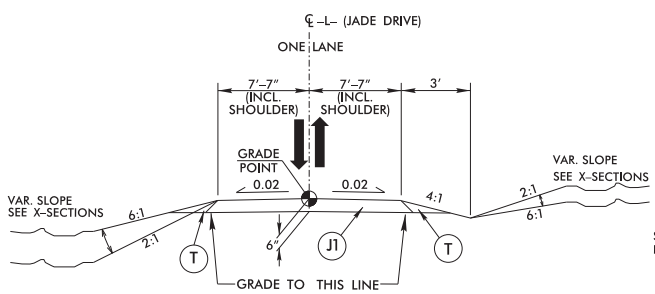
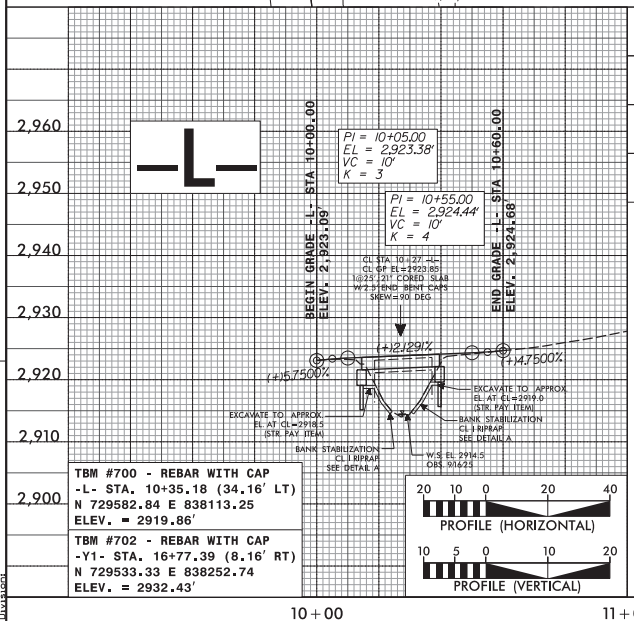
PROJECT REFERENCE NO. 044-01-cdc5b	SHEET NO. 1
RW SHEET NO.	
ROADWAY DESIGN ENGINEER	HYDRAULICS ENGINEER
PRELIMINARY PLANS DO NOT USE FOR CONSTRUCTION	
DOCUMENT NOT CONSIDERED FINAL UNLESS ALL SIGNATURES COMPLETED	
Plans Prepared For:	
DIVISION OF EMERGENCY MANAGEMENT 1636 Gold Star Dr, Raleigh, NC 27607	
JOHN ABEL, PE NCEM CONTACT - GFT PROJECT ENGINEER	
Plans Prepared In the Office of:	
KCI KCI CONSULTANTS OF N.C., P.A. 2000 Lake of the Woodlands, Suite 200 Charlotte, NC 28262 Phone (704) 742-0214 NC Firm License No. C-0514	
ROB F. DECOLA, PE KCI PROJECT MANAGER	
MATT ARMSTRONG, PE KCI PROJECT DESIGN ENGINEER	

REVISIONS



PRELIMINARY PAVEMENT SCHEDULE

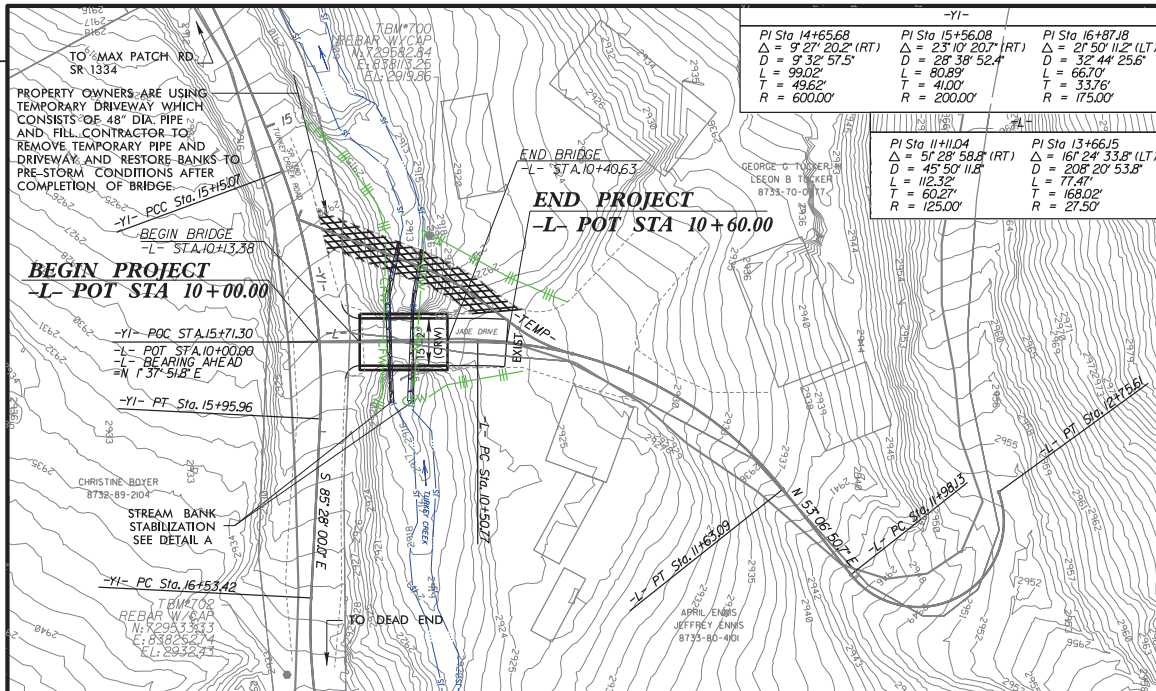
J1	PROP. 6" AGGREGATE BASE COURSE.
J2	PROP. 3" AGGREGATE BASE COURSE.
T	EARTH MATERIAL.



ROADWAY TYPICAL SECTION
-L- STA 10+00.00 TO 10+13.38 (BEG. BR.)
-L- STA 10+40.63 (END BR.) TO 10+60.00

TYPICAL SECTION ON STRUCTURE
21" CORED SLABS
-L- STA 10+13.38 (BEG. BR.) TO 10+40.63 (END BR.)

02/23/25, RW, path&grf, shwe,tdgn
02/23/25, RW, path&grf, shwe,tdgn

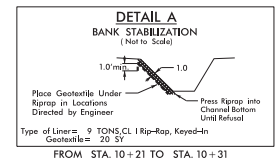


PI Sta 14+65.68 $\Delta = 9' 27'' 20.2''$ (RT) $D = 9' 32'' 57.5''$ $L = 99.02'$ $T = 49.62'$ $R = 600.00'$	-YI- PI Sta 15+56.08 $\Delta = 23' 10'' 20.7''$ (RT) $D = 28' 38'' 52.4''$ $L = 40.00'$ $R = 200.00'$	PI Sta 16+87.18 $\Delta = 21' 50'' 11.2''$ (LT) $D = 32' 44'' 25.6''$ $L = 66.70'$ $T = 33.76'$ $R = 175.00'$
--	--	--

PI Sta 11+11.04 $\Delta = 5' 28'' 58.8''$ (RT) $D = 45' 50'' 11.8''$ $L = 112.32'$ $R = 125.00'$	PI Sta 13+66.15 $\Delta = 16' 24'' 33.8''$ (LT) $D = 208' 20'' 53.8''$ $L = 77.47'$ $R = 27.50'$
--	--

STATE OF NORTH CAROLINA
DEPARTMENT OF PUBLIC SAFETY
HAYWOOD COUNTY

LOCATION: BRIDGE OVER TURKEY CREEK ON JADE DRIVE



Roadway Standard Drawings

The "Roadway Standard Drawings"- Roadway Design Unit - N. C. Department of Transportation - Raleigh, N. C., dated January 2024 and the latest revision thereto are applicable to this project and by reference hereby are considered a part of these plans.

THESE EROSION AND SEDIMENT CONTROL PLANS COMPLY WITH THE REGULATIONS SET FORTH BY THE NCG-01000 GENERAL CONSTRUCTION PERMIT EFFECTIVE APRIL 1, 2019 ISSUED BY THE NORTH CAROLINA DEPARTMENT OF ENVIRONMENT AND NATURAL RESOURCES DIVISION OF WATER QUALITY.

EROSION CONTROL PLAN

GRAPHIC SCALE

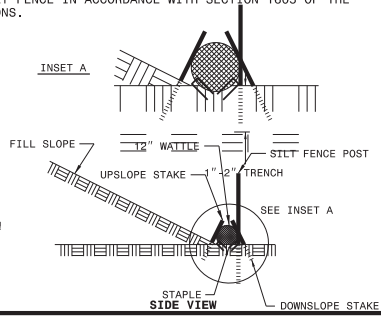
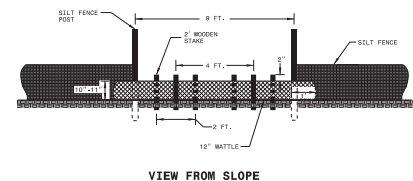
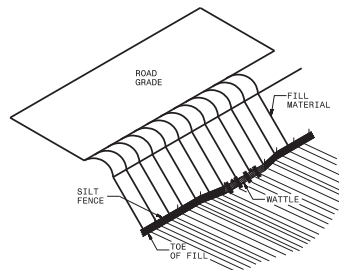
SOIL STABILIZATION TIMEFRAMES

SITE DESCRIPTION	STABILIZATION TIME	TIMEFRAME EXCEPTIONS
PERIMETER DIKES, SWALES, DITCHES AND SLOPES	7 DAYS	NONE
HIGH QUALITY WATER (HOW) ZONES	7 DAYS	NONE
SLOPES STEEPER THAN 3#	7 DAYS	IF SLOPES ARE 10' OR LESS IN LENGTH AND ARE NOT STEEPER THAN 2#, 14 DAYS ARE ALLOWED.
SLOPES 3# OR FLATTER	14 DAYS	7 DAYS FOR SLOPES GREATER THAN 50' IN LENGTH.
ALL OTHER AREAS WITH SLOPES FLATTER THAN 4#	14 DAYS	NONE, EXCEPT FOR PERIMETERS AND HOW ZONES.

SILT FENCE WATTLE BREAK DETAIL

NOTES:

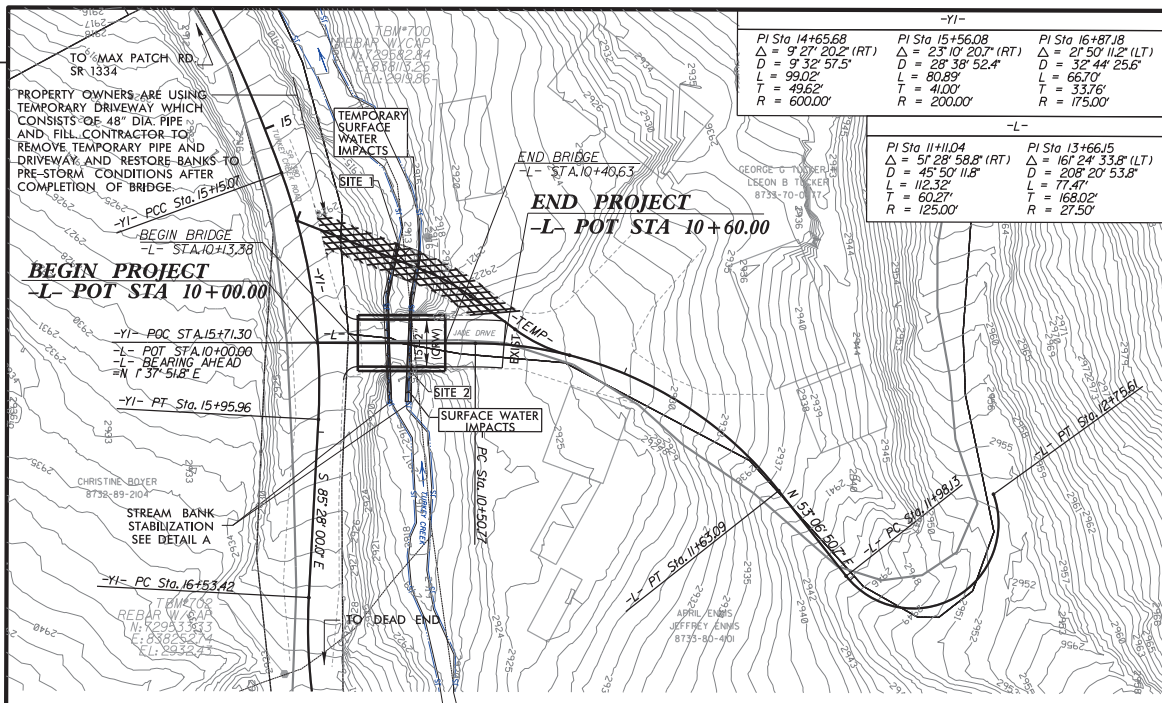
- USE MINIMUM 12 IN. DIAMETER EXCELSIOR WATTLE AND LENGTH OF 10 FT.
- EXCAVATE A 1 TO 2 INCH TRENCH FOR WATTLE TO BE PLACED.
- DO NOT PLACE WATTLE ON TOE OF SLOPE.
- USE 2 FT. WOODEN STAKES WITH A 2 IN. BY 2 IN. NOMINAL CROSS SECTION.
- INSTALL A MINIMUM OF 2 UPSLOPE STAKES AND 4 DOWNSLOPE STAKES AT AN ANGLE TO WEDGE WATTLE TO GROUND.
- PROVIDE STAPLES MADE OF 0.125 IN. DIAMETER STEEL WIRE FORMED INTO A U SHAPE NOT LESS THAN 12" IN LENGTH.
- INSTALL STAPLES APPROXIMATELY EVERY 1 LINEAR FOOT ON BOTH SIDES OF WATTLE AND AT EACH END TO SECURE IT TO THE SOIL.
- WATTLE INSTALLATION CAN BE ON OUTSIDE OF THE SILT FENCE AS DIRECTED.
- INSTALL TEMPORARY SILT FENCE IN ACCORDANCE WITH SECTION 1605 OF THE STANDARD SPECIFICATIONS.



DIVISION OF HIGHWAYS
STATE OF NORTH CAROLINA

EROSION & SEDIMENT CONTROL LEGEND

Std. #	Description	Symbol	Std. #	Description	Symbol
1605.01	Temporary Silt Fence		1636.01	Coir Fiber Wattle Check	◀
1606.01	Special Sediment Control Fence	⊗	1636.01	Coir Fiber Wattle Check with Flocculant	⊗
1622.01	Temporary Berms and Slope Drains	—	1636.02	Silt Fence Excelsior Wattle Break	EW
1630.02	Silt Basin Type B	▨		Silt Fence Coir Fiber Wattle Break	CFW
1630.03	Temporary Silt Ditch	—			



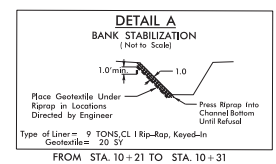
-YI-		
PI Sta 14+65.68 Δ = 9° 27' 20.2" (RT) D = 9° 32' 57.5" L = 99.02' T = 49.62' R = 600.00'	PI Sta 15+56.08 Δ = 23° 10' 20.7" (RT) D = 28° 38' 52.4" L = 80.83' T = 41.00' R = 200.00'	PI Sta 16+87.18 Δ = 21° 50' 11.2" (LT) D = 32° 44' 25.6" L = 66.70' T = 33.76' R = 175.00'

-L-		
PI Sta 11+10.04 Δ = 5° 28' 58.8" (RT) D = 45° 50' 11.8" L = 112.32' T = 60.27' R = 125.00'	PI Sta 13+66.15 Δ = 16° 24' 33.8" (LT) D = 208° 20' 53.8" L = 77.47' T = 168.02' R = 27.50'	

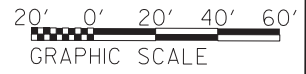
STATE OF NORTH CAROLINA
DEPARTMENT OF PUBLIC SAFETY

HAYWOOD COUNTY

LOCATION: BRIDGE OVER TURKEY CREEK ON JADE DRIVE



PROJECT REFERENCE NO. 044-01-cdc5b	SHEET NO. 3
RW SHEET NO.	
ROADWAY DESIGN ENGINEER	HYDRAULICS ENGINEER
PRELIMINARY PLANS DO NOT USE FOR CONSTRUCTION	
DOCUMENT NOT CONSIDERED FINAL UNLESS ALL SIGNATURES COMPLETED	
Plans Prepared For:	
DIVISION OF EMERGENCY MANAGEMENT 1636 Gold Star Dr. Raleigh, NC 27607	
JOHN ABEL, PE NCEM CONTACT - GFT PROJECT ENGINEER	
Plans Prepared in the Office of:	
KCI KCI ASSOCIATES OF N.C., P.A. 400 Park of Nations Blvd., Suite 200 Raleigh, NC 27606-2710 Phone: (919) 784-2114 NC Firm License No. C61764	
ROB F. DECOLA, PE KCI PROJECT MANAGER	
MATT ARMSTRONG, PE KCI PROJECT DESIGN ENGINEER	



WETLAND AND SURFACE WATER IMPACTS SUMMARY													
Site No.	Station (From/To)	Structure Size / Type	WETLAND IMPACTS					SURFACE WATER IMPACTS		Natural Stream Design			
			Permanent Fill in Wetlands (ac)	Temp. Fill in Wetlands (ac)	Excavation in Wetlands (ac)	Mechanized Clearing in Wetlands (ac)	Hand Clearing in Wetlands (ac)	Permanent SW impacts (ac)	Temp. SW impacts (ac)		Existing Channel Impacts Permanent (ft)	Existing Channel Impacts Temp. (ft)	
1	TEMP STA. 14+58.1 TO 14+66.4	TEMPORARY BRIDGE							< 0.01	< 0.01	10		
2	L STA. 10+22 & 10+28 LTR	STREAM STABILIZATION								52			
TOTALS:									< 0.01	< 0.01	52	10	0

10+00 10+50

(+)+5.7500% Δ (+)+2.1291%

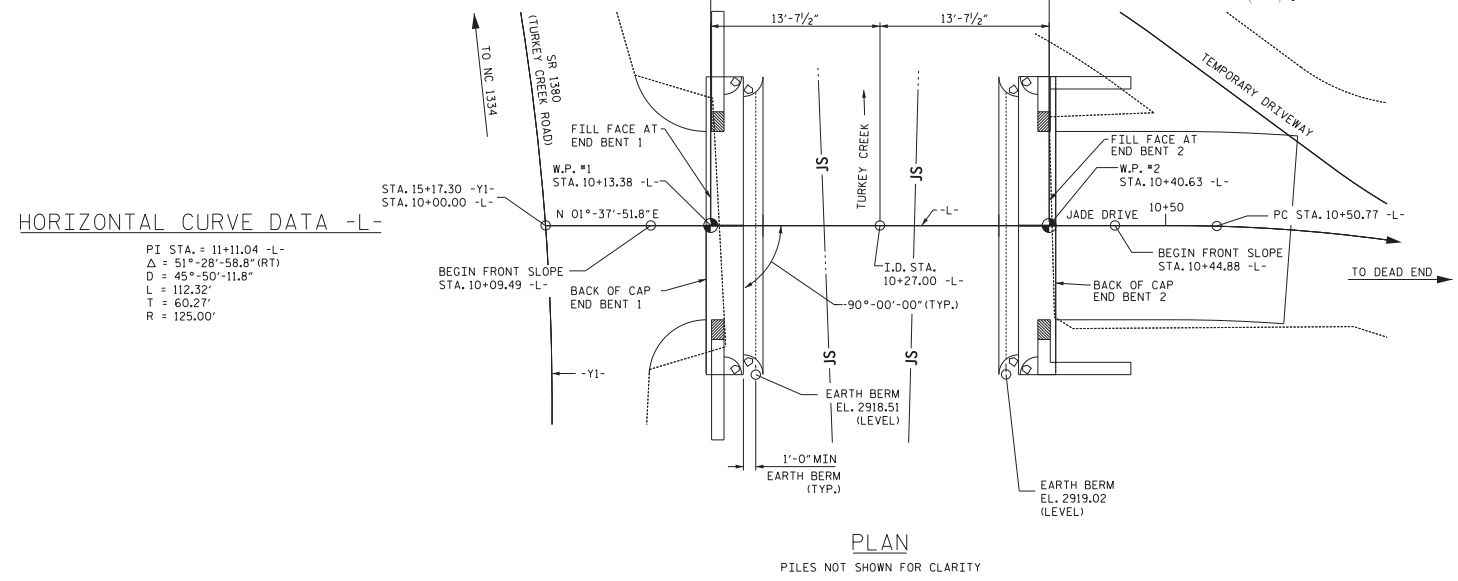
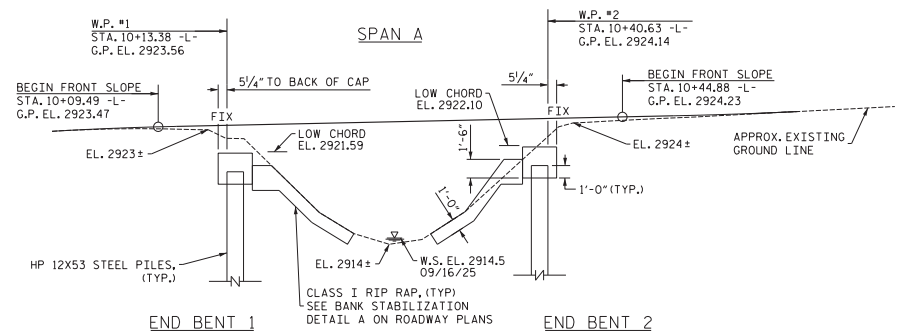
PI = 10+05.00 -L-
EL. = 2,923.38'
VC = 10.00'

VERTICAL CURVE DATA -L-

(+)+2.1291% Δ (+)+4.7500%

PI = 10+55.00 -L-
EL. = 2,924.44'
VC = 10.00'

VERTICAL CURVE DATA -L-



PROJECT NO. 044-01-CDC5B
 HAYWOOD COUNTY
 STATION: 10+27.00 -L-
 SHEET 1 OF 4

STATE OF NORTH CAROLINA
 DEPARTMENT OF PUBLIC SAFETY
 RALEIGH

GENERAL DRAWING

FOR BRIDGE BETWEEN SR 1380
 (TURKEY CREEK RD) AND DEAD END

DESIGN ENGINEER OF RECORD: _____ DATE: _____

DRAWN BY: M.G. ARMSTRONG DATE: 10/16/2025

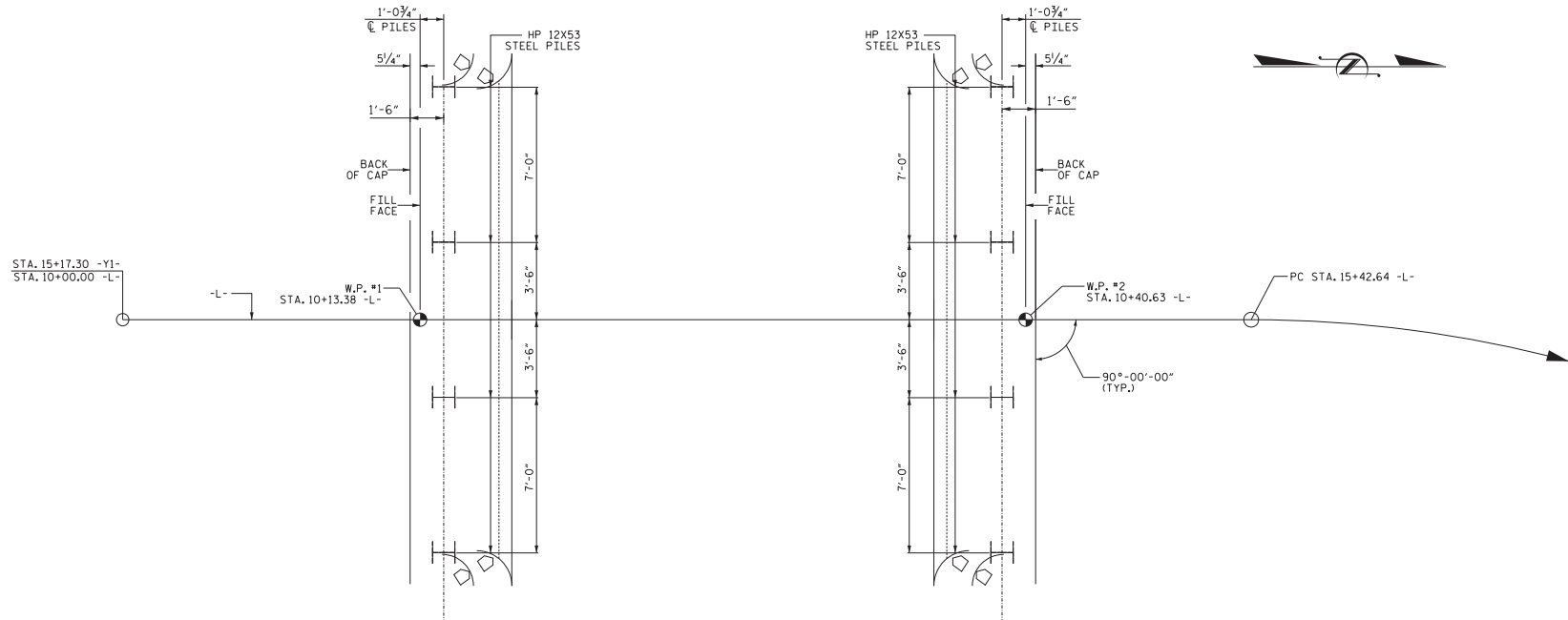
CHECKED BY: R.F. DECOLA DATE: 10/16/2025

**DOCUMENT NOT CONSIDERED FINAL
 UNLESS ALL SIGNATURES COMPLETED**

NO.	BY:	DATE:	REVISIONS		SHEET NO.
			NO.	DATE:	
1			1		5-01
2			2		16

M:\2025\005205\01_CDROW No. 044-01-cdc5b\2 Working\Structures\Drawings\3_Final\02_001_cdc5b_00_001.dgn
 10/22/2025 4:39:33 PM
 M011-Armstrong Structures
 ACI PROJ: 25101346.005

MAJ02510052026.01.CROW No. 044-01-cdc5b.2 WorkingStructuresDrawings3.Final\02_03_cdc5b_FL_002.dgn
 10/2/2025 4:39:45 PM M011.Armstrong Structures.ctb
 ACI PROJ: 21101346.056



FOUNDATION NOTES:

- FOR PILES, SEE SECTION 450 OF THE STANDARD SPECIFICATIONS.
- SUBSURFACE DATA IS NOT AVAILABLE AT END BENT NO. 2. PILE LENGTHS ARE BASED ON THE END BENT NO. 1 BORING. PILE LENGTHS AT END BENT NO. 2 MAY VARY FROM THE ESTIMATED AVERAGE PILE LENGTH PROVIDED.

END BENT 1

END BENT 2

FOUNDATION LAYOUT

(DIMENSIONS LOCATING PILES ARE SHOWN TO CENTERLINE OF PILES)

PROJECT NO. 044-01-CDC5B
HAYWOOD COUNTY
 STATION: 10+27.00 -L-
 SHEET 2 OF 4

STATE OF NORTH CAROLINA
 DEPARTMENT OF PUBLIC SAFETY
 RALEIGH
GENERAL DRAWING
 FOR BRIDGE ON SR 1380
 (TURKEY CREEK RD) AND DEAD END

DESIGN ENGINEER OF RECORD: _____ DATE: _____

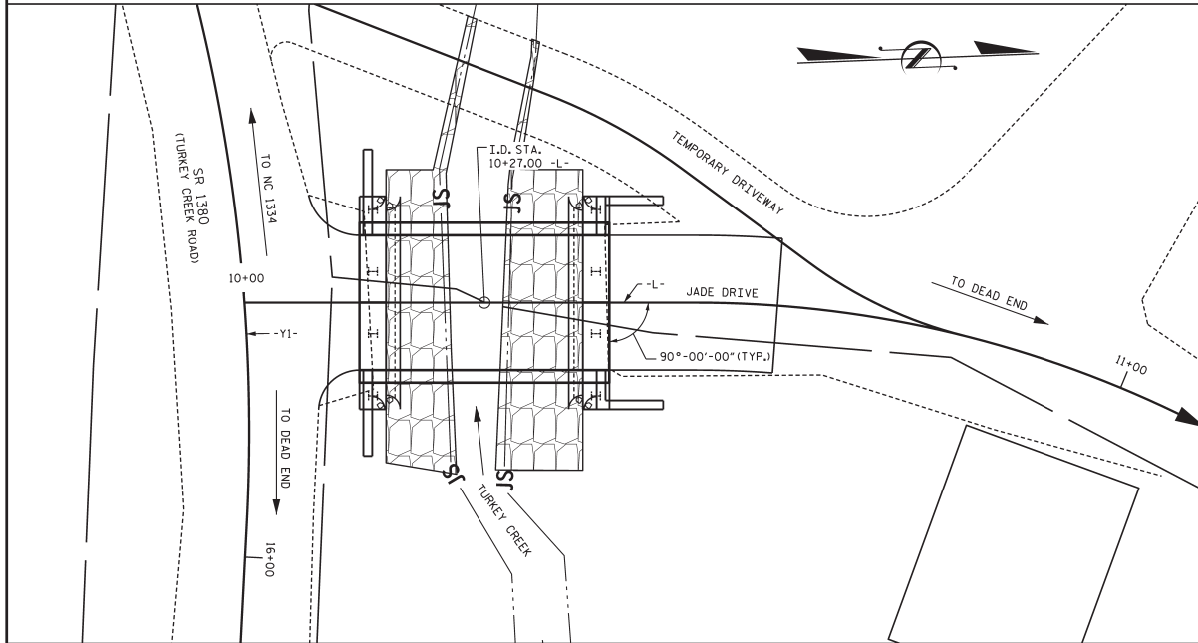
DRAWN BY : M.G. ARMSTRONG DATE : 10/16/25
 CHECKED BY : R.F. DECOLA DATE : 10/16/25

**DOCUMENT NOT CONSIDERED FINAL
 UNLESS ALL SIGNATURES COMPLETED**

NO.	REVISIONS				SHEET NO.
	BY:	DATE:	NO.	DATE:	
1			3		S-02 16
2			4		

KCI Associates
 of North Carolina, P.A.
1000 Poplar Road, Suite 200, Raleigh, NC 27607-1070 Phone: 919-333-3344

TBM #700 - REBAR W/ CAP -L- STA. 10+35.18 -EL-, 34.16' LT N 729582.84 E 838113.25, EL 2919.86 NAVD 88



LOCATION SKETCH

NOTES:

- ASSUMED LIVE LOAD = HL-93 OR ALTERNATE LOADING.
- THIS BRIDGE HAS BEEN DESIGNED IN ACCORDANCE WITH THE AASHTO LRFD BRIDGE DESIGN SPECIFICATIONS.
- THIS BRIDGE IS LOCATED IN SEISMIC ZONE 1.
- FOR OTHER DESIGN DATA AND GENERAL NOTES, SEE SHEET SM.
- FOR SUBMITTAL OF WORKING DRAWINGS, SEE SPECIAL PROVISIONS.
- FOR FALSEWORK AND FORMWORK, SEE SPECIAL PROVISIONS.
- FOR CRANE SAFETY, SEE SPECIAL PROVISIONS.
- FOR GROUT FOR STRUCTURES, SEE SPECIAL PROVISIONS.
- THIS STRUCTURE HAS BEEN DESIGNED IN ACCORDANCE WITH "HEC 18 - EVALUATING SCOUR AT BRIDGES."
- FOR EROSION CONTROL MEASURES, SEE EROSION CONTROL PLANS.
- ROUTINE INSPECTIONS AND MAINTENANCE:**
- DISCLAIMER: THESE RECOMMENDATIONS ARE INTENDED AS A GENERAL GUIDE FOR PRIVATE BRIDGE OWNERS. IT IS NOT A COMPREHENSIVE CHECKLIST AND DOES NOT REPLACE INSPECTION OR REPAIR GUIDANCE FROM A QUALIFIED ENGINEER. IF YOU OBSERVE UNUSUAL MOVEMENT, DEFLECTION, CRACKING, DETERIORATION, AND/OR ANY STRUCTURAL CONCERN OR SAFETY RELATED ISSUE, CLOSE THIS BRIDGE TO TRAFFIC IMMEDIATELY AND CONSULT A PROFESSIONAL ENGINEER REGISTERED IN THE STATE OF NORTH CAROLINA.
- KEEP A MAINTENANCE LOG TO TRACK INSPECTION DATES, OBSERVATIONS, AND ANY WORK PERFORMED. ADDRESS MINOR ISSUES EARLY TO PREVENT FUTURE COSTLY REPAIRS.
- BRIDGE INSPECTION PERFORMED BY A CERTIFIED BRIDGE INSPECTOR IS RECOMMENDED ON THE FOLLOWING INTERVALS:
 - YEAR 0-10: INSPECT EVERY 5 YEARS
 - YEAR 10-20: INSPECT EVERY 4 YEARS
 - YEAR 20-30: INSPECT EVERY 3 YEARS
 - YEAR 30+: INSPECT EVERY 2 YEARS
- IF DETERIORATION IS NOTED IN INSPECTIONS, ACCELERATE INSPECTION FREQUENCY TO EVERY 2 YEARS.
- PERFORM ADDITIONAL INSPECTIONS AFTER SEVERE STORMS, FLOODING, SEISMIC EVENTS, AND AFTER VEHICULAR IMPACTS.
- REPAIR PRIORITY MAINTENANCE ITEMS NOTED IN INSPECTION REPORTS PROMPTLY.
- BETWEEN INSPECTIONS OBSERVE FOR CRACKS OR SPALLING IN CONCRETE OR RUST TO STEEL COMPONENT OR REINFORCEMENT, SOILING AT OR AROUND ABUTMENTS AND PIERS, DECK SURFACE WEAR, AND DAMAGE OR DETERIORATION TO CURBS.
- REMOVE DEBRIS AND SEDIMENT FROM THE DECK AND CAP SURFACES TO PREVENT PONDING.
- MAINTAIN GRAVEL WEARING SURFACE ON THE BRIDGE TO A MINIMUM OF 3" UNIFORM DEPTH. SHOULD THE TOPS OF PRESTRESSED CONCRETE CORED SLABS BECOME EXPOSED FOR ANY REASON, CLOSE THE BRIDGE TO TRAFFIC AND REPLACE WEARING SURFACE AS SHOWN ON THE PLANS.
- BEARINGS**
- REMOVE ANY DEBRIS, VEGETATION, OR SEDIMENT BUILDUP NEAR OR AROUND THE BEARINGS.
- INSPECT AND MAINTAIN BEARING PADS TO ENSURE THEY FUNCTION PROPERLY.
- CHECK FOR SIGNS OF ROTATION OR TRANSLATION.
- REPAIR OR REPLACE DETERIORATED COMPONENTS AS NEEDED UNDER THE GUIDANCE OF A PROFESSIONAL ENGINEER.
- CAPS AND FOUNDATIONS
- INSPECT FOR CRACKS, LOOSE CONNECTIONS, BENDING, SETTLEMENT, LEANING, OR EROSION.
- MAINTAIN PROPER SITE GRADING AND DRAINAGE TO PREVENT EROSION OR WATER DAMAGE.
- BACKFILL OR REINFORCE AREAS SHOWING SIGNS OF SCOUR OR SETTLEMENT.
- LOOK FOR SIGNS OF SCOUR. WHENEVER SCOUR IS PRESENT, USE STONE TO BACKFILL SCoured AREAS AT OR AROUND THE SUBSTRUCTURE AND GRADE AS SHOWN ON THE PLANS.

TOTAL BILL OF MATERIAL											
	REMOVAL OF EXISTING STRUCTURE AT STA. 10+27, 29' LT	CLASS A CONCRETE	REINFORCING STEEL	PILE DRIVING EQUIPMENT SETUP FOR HP 12X53 STEEL PILES	HP 12X53 STEEL PILES		1'-5" X 1'-3" CONCRETE CURB	ELASTOMERIC BEARINGS	3'-0" X 1'-9" PRESTRESSED CONCRETE CORED SLABS		3'-0" X 2'-6" PRESTRESSED CONCRETE BENT CAPS
					NO.	LIN.FT.			LIN.FT.	LUMP SUM	
	LUMP SUM	CU.YDS.	LBS.	EA.	NO.	LIN.FT.	LIN.FT.	LUMP SUM	NO.	LIN.FT.	LIN.FT.
SUPERSTRUCTURE							50	LUMP SUM	6	150.00	
END BENT 1		2.3	141	4	4	80					24
END BENT 2		3.1	217	4	4	80					24
TOTAL	LUMP SUM	5.4	358	8	8	160	50	LUMP SUM	6	150.00	48

PROJECT NO. 044-01-CDC5B
HAYWOOD COUNTY
 STATION: 10+27.00 -L-
 SHEET 4 OF 4



Notified by
Robert Decola
 11/3/2025

DESIGN ENGINEER OF RECORD: ROBERT DECOLA DATE: 11/3/2025
 DRAWN BY: M.G. ARMSTRONG DATE: 10/06/25
 CHECKED BY: R.F. DECOLA DATE: 10/07/25

DOCUMENT NOT CONSIDERED FINAL UNLESS ALL SIGNATURES COMPLETED

NO.		DATE		BY		DATE		SHEET NO.	
1	1			3				10/16/25	5-04
2	1			4				10/16/25	16

P:\1\3\2025\3\2025\Projects\2024\0085205\01\2\Work\10\0085205\01\2\Structures\Drawings\2.Final\02_007_cdc5b_00_004.dgn
 11/3/2025 3:20:34 PM
 KCI PROJ. #2101946.05

LOAD AND RESISTANCE FACTOR RATING (LRFR) SUMMARY FOR PRESTRESSED CONCRETE GIRDERS

LOAD TYPE	VEHICLE	WEIGHT (W) (TONS)	CONTROLLING LOAD RATING (#)	MINIMUM RATING FACTORS (RF)	TONS = W x RF	STRENGTH I LIMIT STATE								SERVICE III LIMIT STATE								COMMENT NUMBER		
						MOMENT				SHEAR				MOMENT				SHEAR						
						LIVE-LOAD FACTORS (γ _{LL})	DISTRIBUTION FACTORS (DF)	RATING FACTOR	SPAN	GIRDER LOCATION	DISTANCE FROM LEFT END OF SPAN (FT)	DISTRIBUTION FACTORS (DF)	RATING FACTOR	SPAN	GIRDER LOCATION	DISTANCE FROM LEFT END OF SPAN (FT)	LIVE-LOAD FACTORS (γ _{LL})	DISTRIBUTION FACTORS (DF)	RATING FACTOR	SPAN	GIRDER LOCATION		DISTANCE FROM LEFT END OF SPAN (FT)	
DESIGN LOAD	HL-93 (INVENTORY)	N/A	①	1.018	--	1.75	0.284	2.53	25'	EL	12	0.591	1.02	25'	EL	1.2	0.80	0.284	2.34	25'	EL	12		
	HL-93 (OPERATING)	N/A		1.319	--	1.35	0.284	3.29	25'	EL	12	0.591	1.32	25'	EL	1.2	N/A	--	--	--	--	--		
	HS-20 (INVENTORY)	36,000	②	1.178	42,394	1.75	0.284	3.76	25'	EL	12	0.591	1.18	25'	EL	1.2	0.80	0.284	3.46	25'	EL	12		
	HS-20 (OPERATING)	36,000		1.527	54,959	1.35	0.284	4.87	25'	EL	12	0.591	1.53	25'	EL	1.2	0.80	0.284	3.46	25'	EL	12		
LEGAL LOAD	SINGLE VEHICLE (SV)	SNSH	13,500		2.728	36,833	1.4	0.284	6.83	25'	EL	12	0.591	2.73	25'	EL	1.2	0.80	0.284	5.04	25'	EL	12	
		SNGARBS2	20,000		2.186	43,718	1.4	0.284	6.39	25'	EL	12	0.591	2.19	25'	EL	1.2	0.80	0.284	4.72	25'	EL	12	
		SNAGRIS2	22,000		2.141	47,107	1.4	0.284	6.83	25'	EL	12	0.591	2.14	25'	EL	1.2	0.80	0.284	5.04	25'	EL	12	
		SNCOTTS3	27,250		1.385	37,731	1.4	0.284	3.57	25'	EL	12	0.591	1.38	25'	EL	1.2	0.80	0.284	2.64	25'	EL	12	
		SNAGGRS4	34,925		1.332	46,511	1.4	0.284	3.56	25'	EL	12	0.591	1.33	25'	EL	1.2	0.80	0.284	2.62	25'	EL	12	
	TRUCK TRACTOR SEMI-TRAILER (TTS3)	SNS5A	35,550		1.392	49,477	1.4	0.284	3.45	25'	EL	12	0.591	1.39	25'	EL	1.2	0.80	0.284	2.54	25'	EL	12	
		SNS6A	39,950		1.334	53,310	1.4	0.284	3.23	25'	EL	12	0.591	1.33	25'	EL	1.2	0.80	0.284	2.39	25'	EL	12	
		SNS7B	42,000		1.344	56,455	1.4	0.284	3.23	25'	EL	12	0.591	1.34	25'	EL	1.2	0.80	0.284	2.37	25'	EL	12	
		TNAGRIT3	33,000		1.634	53,934	1.4	0.284	4.55	25'	EL	12	0.591	1.63	25'	EL	1.2	0.80	0.284	3.36	25'	EL	12	
		TNT4A	33,075		1.483	49,049	1.4	0.284	3.95	25'	EL	12	0.591	1.48	25'	EL	1.2	0.80	0.284	2.92	25'	EL	12	
		TNT6A	41,600		1.398	58,138	1.4	0.284	3.71	25'	EL	12	0.591	1.40	25'	EL	1.2	0.80	0.284	2.74	25'	EL	12	
		TNT7A	42,000		1.391	58,419	1.4	0.284	3.84	25'	EL	12	0.591	1.39	25'	EL	1.2	0.80	0.284	2.83	25'	EL	12	
		TNT7B	42,000		1.343	56,385	1.4	0.284	3.46	25'	EL	12	0.591	1.34	25'	EL	1.2	0.80	0.284	2.55	25'	EL	12	
		TNAGRIT4	43,000		1.340	57,604	1.4	0.284	3.71	25'	EL	12	0.591	1.34	25'	EL	1.2	0.80	0.284	2.73	25'	EL	12	
		TNACT5A	45,000		1.367	61,501	1.4	0.284	3.71	25'	EL	12	0.591	1.37	25'	EL	1.2	0.80	0.284	2.73	25'	EL	12	
EMERGENCY VEHICLE (EV)	TNACT5B	45,000	③	1.239	55,766	1.4	0.284	3.65	25'	EL	9.6	0.591	1.24	25'	EL	1.2	0.80	0.284	2.71	25'	EL	9.6		
	EV2	28,750		1.667	47,927	1.3	0.284	4.84	25'	EL	12	0.591	1.67	25'	EL	1.2	0.80	0.284	3.23	25'	EL	12		
	EV3	43,000	④	1.148	49,369	1.3	0.284	3.14	25'	EL	12	0.591	1.15	25'	EL	1.2	0.80	0.284	2.09	25'	EL	12		

LOAD FACTORS:

DESIGN LOAD RATING FACTORS	LIMIT STATE	γ _{DC}	γ _{DW}
		STRENGTH I	1.25
	SERVICE III	1.00	1.00

NOTES:

MINIMUM RATING FACTORS ARE BASED ON THE STRENGTH I AND SERVICE III LIMIT STATES.

ALLOWABLE STRESSES FOR SERVICE III LIMIT STATE ARE AS REQUIRED FOR DESIGN.

COMMENTS:

- 1.
- 2.
- 3.
- 4.

⊕	CONTROLLING LOAD RATING
①	DESIGN LOAD RATING (HL-93)
②	DESIGN LOAD RATING (HS-20)
③	LEGAL LOAD RATING **
④	EMERGENCY VEHICLE LOAD RATING **
** SEE CHART FOR VEHICLE TYPE	
GIRDER LOCATION	
I - INTERIOR GIRDER	
EL - EXTERIOR LEFT GIRDER	
ER - EXTERIOR RIGHT GIRDER	



LRFR SUMMARY
FOR SPAN "A"

PROJECT NO. 044-01-CDC5B
HAYWOOD COUNTY
STATION: 10+27.00 -L-

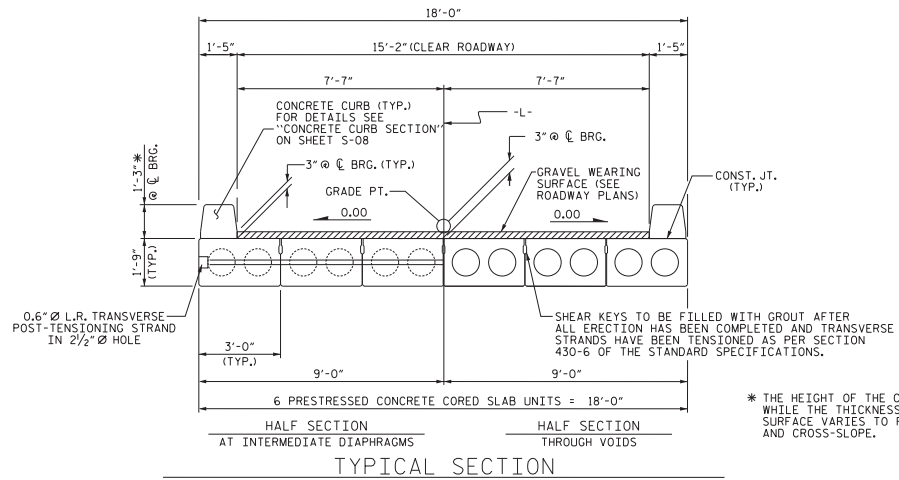
STATE OF NORTH CAROLINA
DEPARTMENT OF PUBLIC SAFETY
RALEIGH
STANDARD
LRFR SUMMARY FOR
25' CORED SLAB UNIT
90° SKEW
(NON-INTERSTATE TRAFFIC)

DESIGN ENGINEER OF RECORD: DATE :
DRAWN BY : N. GIAGUNTO DATE : 10/16/25
CHECKED BY : R.F. DECOLA DATE : 10/16/25

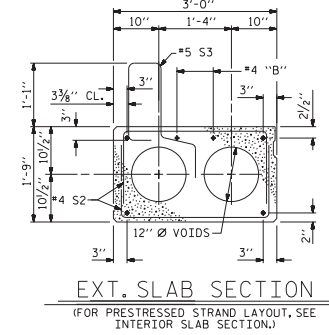
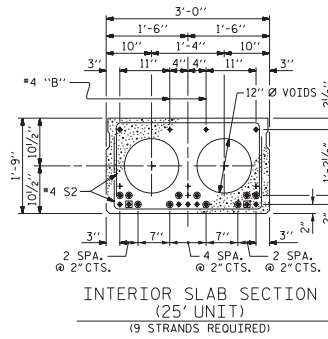
DOCUMENT NOT CONSIDERED FINAL
UNLESS ALL SIGNATURES COMPLETED

NO.	REVISIONS				SHEET NO.
	BY:	DATE:	NO.	DATE:	
1			3		16
2			4		16

KCI Associates
of North Carolina, P.A.
100 Park of West, Suite 200, Raleigh, NC 27607-1070
919-876-1000



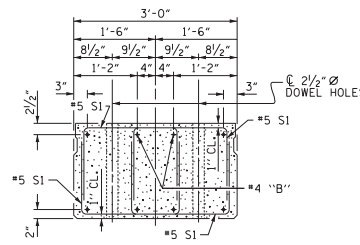
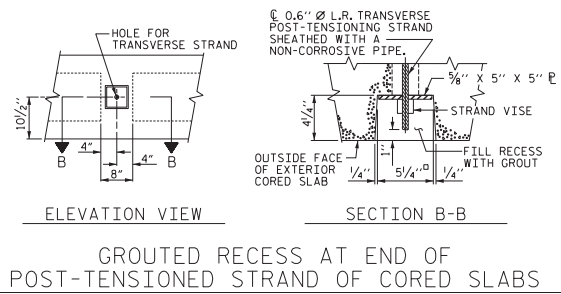
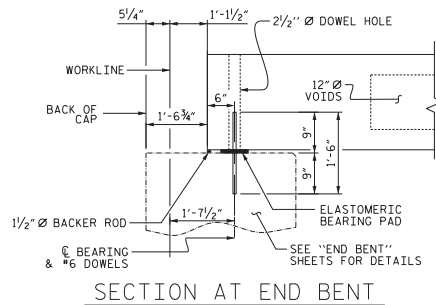
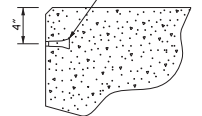
* THE HEIGHT OF THE CURB REMAINS CONSTANT WHILE THE THICKNESS OF THE GRAVEL WEARING SURFACE VARIES TO FOLLOW THE PROFILE AND CROSS-SLOPE.



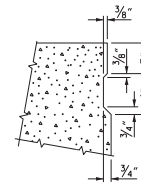
- BOND SHALL BE BROKEN ON THESE STRANDS FOR A DISTANCE OF 2'-0" FROM END OF CORED SLAB UNIT. SEE STANDARD SPECIFICATIONS, ARTICLE 1078-7.
- OPTIONAL FULL LENGTH DEBONDED STRANDS. THESE STRANDS ARE NOT REQUIRED. IF THE FABRICATOR CHOOSES TO INCLUDE THESE STRANDS IN THE CORED SLAB UNIT, THE STRANDS SHALL BE DEBONDED FOR THE FULL LENGTH OF THE UNIT AT NO ADDITIONAL COST. SEE STANDARD SPECIFICATIONS, ARTICLE 1078-7.

DEBONDING LEGEND

PERMITTED THREADED INSERT CAST IN OUTSIDE FACE OF EXTERIOR UNIT AND RECESSED 3/8" SIZE TO BE DETERMINED BY CONTRACTOR.



NOTE: OMIT SHEAR KEY ON OUTSIDE FACE OF EXTERIOR CORED SLABS.



SHOWING PLACEMENT OF DOUBLE STIRRUPS AND LOCATION OF DOWEL HOLES. (STRAND LAYOUT NOT SHOWN.) INTERIOR SLAB UNIT SHOWN-EXTERIOR SLAB UNIT SIMILAR EXCEPT SHEAR KEY LOCATION.

PROJECT NO. 044-01-CDC5B
HAYWOOD COUNTY
STATION: 10+27.00 -L-
SHEET 1 OF 3

STATE OF NORTH CAROLINA
DEPARTMENT OF PUBLIC SAFETY
RALEIGH

3'-0" X 1'-9"
PRESTRESSED CONCRETE
CORED SLAB UNIT
90° SKEW

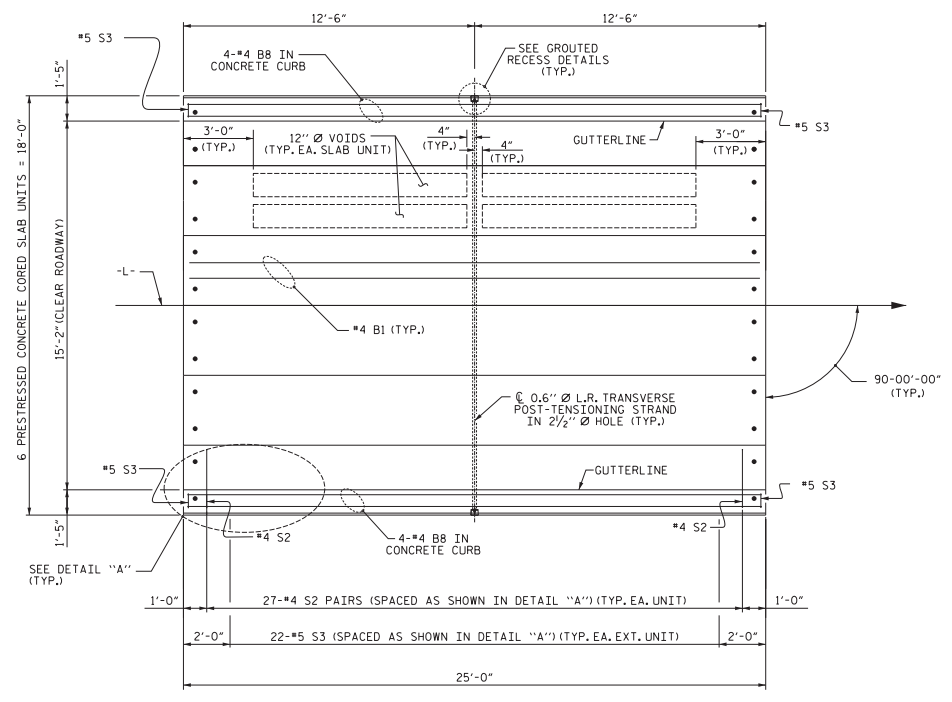
DESIGN ENGINEER OF RECORD:	DATE :
DRAWN BY : N. GIAGUNTO	DATE : 10/16/25
CHECKED BY : R.F. DECOLA	DATE : 10/16/25

DOCUMENT NOT CONSIDERED FINAL UNLESS ALL SIGNATURES COMPLETED

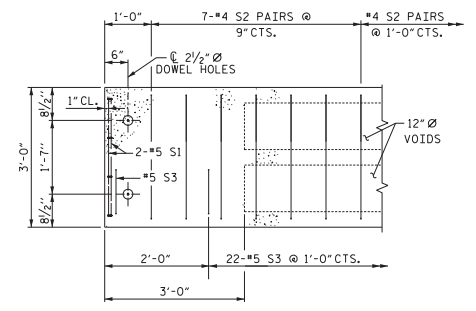
REVISIONS				SHEET NO.
NO.	BY:	DATE:	NO.	DATE:
1			16	
2				

M:\2025\00052056_01_CDRW No. 044-01-cdc5b\3 Working\Structures\Drawings\3_Final\02.011_cdc5b_15_006.dgn
 10/22/2025 4:40:35 PM
 Mott\Armsstrong
 Structures\trcrg
 ACI PROJ: 2510194696

MAJ2025.0005206.01.CROW No. 044-01-cdc5b.2 Working\Structures\Drawings\3_Finals\02_01B_cdc5b-PLAN_001.dgn
 10/27/2025 4:41:56 PM
 M011_Armstrong Structures
 ACI PROJ: 212101346.006



PLAN OF UNIT



DETAIL "A"
 (TYPICAL EACH END OF UNIT)
 NOTE: EXTERIOR UNIT SHOWN - INTERIOR UNIT SIMILAR EXCEPT OMIT #5 S3 BARS.

PROJECT NO. 044-01-CDC5B
HAYWOOD COUNTY
 STATION: 10+27.00 -L-
 SHEET 2 OF 3

STATE OF NORTH CAROLINA
 DEPARTMENT OF PUBLIC SAFETY
 RALEIGH

 PLAN OF 25' UNIT
 15'-2" CLEAR ROADWAY
 90° SKEW

DESIGN ENGINEER OF RECORD:	DATE :
DRAWN BY : <u>N. GIAGUNTO</u>	DATE : <u>10/16/2025</u>
CHECKED BY : <u>R.F. DECOLA</u>	DATE : <u>10/17/2025</u>

**DOCUMENT NOT CONSIDERED FINAL
UNLESS ALL SIGNATURES COMPLETED**

NO.	REVISIONS				SHEET NO.
	BY:	DATE:	NO.	DATE:	
1			3		16
2			4		16

DEAD LOAD DEFLECTION AND CAMBER	
25' CORED SLAB UNIT	3'-0" x 1'-9" 0.6" Ø L.R. STRAND
CAMBER (SLAB ALONE IN PLACE)	1/4" ↓
DEFLECTION DUE TO SUPERIMPOSED DEAD LOAD	1/8" ↓
FINAL CAMBER	1/8" ↑

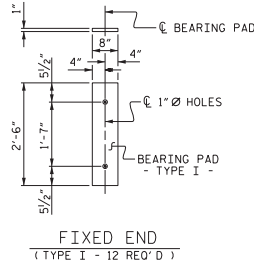
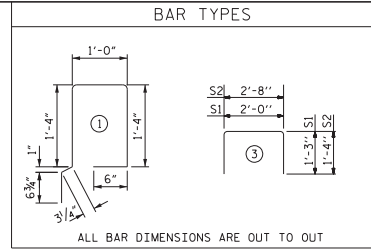
BILL OF MATERIAL FOR CONCRETE CURB						
BAR	BARS PER PAIR OF EXTERIOR UNITS	TOTAL NO.	SIZE	TYPE	LENGTH	WEIGHT
25' UNIT						
* BB	4	8	#4	STR	24'-7"	131
* EPOXY COATED REINFORCING STEEL			LBS.		131	
CLASS AA CONCRETE			CU.YDS.		3.2	
TOTAL CONCRETE CURB LENGTH			LN. FT.		50.00	

AGREGATE BASE COURSE THICKNESS & CURB HEIGHT		
	A.B.C. THICKNESS	CURB HEIGHT
25' UNIT	3"	1'-3"

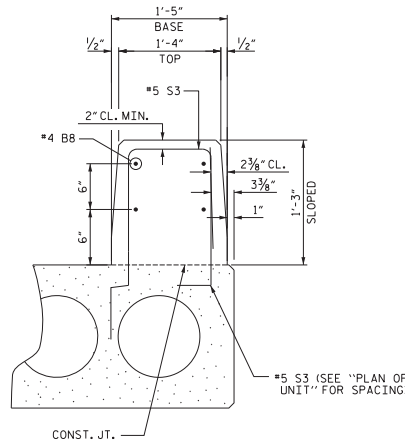
CORED SLABS REQUIRED			
	NUMBER	LENGTH	TOTAL LENGTH
25' UNIT			
EXTERIOR C.S.	2	25'-0"	50'-0"
INTERIOR C.S.	4	25'-0"	100'-0"
TOTAL	6		150'-0"

CONCRETE RELEASE STRENGTH	
UNIT	PSI
25' UNITS	4000

GRADE 270 STRANDS	
	0.6" Ø L.R.
AREA (SQ. INCHES)	0.217
ULTIMATE STRENGTH (LBS. PER STRAND)	58,600
APPLIED PRESTRESS (LBS. PER STRAND)	43,950



ELASTOMERIC BEARING DETAILS
ELASTOMER IN ALL BEARINGS SHALL BE 50 DUROMETER HARDNESS.



CONCRETE CURB SECTION

BILL OF MATERIAL FOR ONE 25' CORED SLAB UNIT							
BAR	NUMBER	SIZE	TYPE	EXTERIOR UNIT		INTERIOR UNIT	
				LENGTH	WEIGHT	LENGTH	WEIGHT
B1	2	#4	STR	24'-8"	33	24'-8"	33
S1	8	#5	3	4'-3"	35	4'-3"	35
S2	54	#4	3	5'-4"	192	5'-4"	192
* S3	48	#5	1	4'-6"	207		
REINFORCING STEEL				LBS.	260		260
* EPOXY COATED REINFORCING STEEL				LBS.	207		
5000 P.S.I. CONCRETE				CU. YDS.	3.7		3.7
0.6" Ø L.R. STRANDS				No.	9		9

NOTES

ALL PRESTRESSING STRANDS SHALL BE 7-WIRE LOW RELAXATION GRADE 270 STRANDS AND SHALL CONFORM TO AASHTO M203 EXCEPT FOR SAMPLING REQUIREMENTS WHICH SHALL BE IN ACCORDANCE WITH THE STANDARD SPECIFICATIONS.

ALL REINFORCING STEEL CAST WITH THE CORED SLAB SECTIONS SHALL BE GRADE 60 AND SHALL BE INCLUDED IN THE UNIT PRICE BID FOR PRESTRESSED CONCRETE CORED SLABS.

RECESSES FOR TRANSVERSE STRANDS SHALL BE GROUTED AFTER THE TENSIONING OF THE STRANDS.

THE 2/2" Ø DOWEL HOLES AT FIXED ENDS OF SLAB SECTIONS SHALL BE FILLED WITH NON-SHRINK GROUT.

THE BACKER RODS SHALL CONFORM TO THE REQUIREMENTS OF TYPE M BOND BREAKER, SEE SECTION 1028 OF THE STANDARD SPECIFICATIONS.

WHEN CORED SLABS ARE CAST, AN INTERNAL HOLD-DOWN SYSTEM SHALL BE EMPLOYED TO PREVENT VOIDS FROM RISING OR MOVING SIDEWAYS. AT LEAST SIX WEEKS PRIOR TO CASTING CORED SLABS, THE CONTRACTOR SHALL SUBMIT TO THE ENGINEER FOR REVIEW AND COMMENT, DETAILED DRAWINGS OF THE PROPOSED HOLD-DOWN SYSTEM. IN ADDITION TO STRUCTURAL DETAILS, LOCATION AND SPACING OF THE HOLD-DOWNS SHALL BE INDICATED.

THE TRANSFER OF LOAD FROM THE ANCHORAGES TO THE CORED SLAB UNIT SHALL BE DONE WHEN THE CONCRETE HAS REACHED A COMPRESSIVE STRENGTH OF NOT LESS THAN THE REQUIRED STRENGTH SHOWN IN THE "CONCRETE RELEASE STRENGTH" TABLE.

ALL REINFORCING STEEL IN THE CONCRETE CURB SHALL BE EPOXY COATED.

PRESTRESSING STRANDS SHALL BE CUT FLUSH WITH THE CORED SLAB UNIT ENDS.

APPLY EPOXY PROTECTIVE COATING TO CORED SLAB UNIT ENDS.

GROOVED CONTRACTION JOINTS, 1/2" IN DEPTH, SHALL BE TOOLED IN ALL EXPOSED FACES OF THE CONCRETE CURB AND IN ACCORDANCE WITH ARTICLE 825-10(B) OF THE STANDARD SPECIFICATIONS. A CONTRACTION JOINT SHALL BE LOCATED AT EACH THIRD POINT ALONG BRIDGE.

FLAME CUTTING OF THE TRANSVERSE POST-TENSIONING STRAND IS NOT ALLOWED.

FOR GROUT FOR STRUCTURES, SEE SPECIAL PROVISIONS.

THE PERMITTED THREADED INSERTS ARE DETAILED AS AN OPTION FOR THE CONTRACTOR TO ATTACH FALSEWORK AND FORMWORK DURING CONSTRUCTION.

THE PERMITTED THREADED INSERTS IN THE EXTERIOR UNITS SHALL BE SIZED BY THE CONTRACTOR, SPACED AT 4'-0" CENTERS AND GALVANIZED IN ACCORDANCE WITH SECTION 1076 OF THE STANDARD SPECIFICATIONS. STAINLESS STEEL THREADED INSERTS MAY BE USED AS AN ALTERNATE.

THE PERMITTED THREADED INSERTS SHALL BE GROUTED BY THE CONTRACTOR IMMEDIATELY FOLLOWING REMOVAL OF THE FALSEWORK.

THE COST OF THE PERMITTED THREADED INSERTS SHALL BE INCLUDED IN THE PRICE BID FOR THE PRECAST UNITS.

THE #4 S2 STIRRUPS MAYBE SHIFTED AS NECESSARY TO MAINTAIN 1" CLEAR TO THE GROUTED RECESS.

MAINTAIN A SYMMETRIC TENSION FORCE BETWEEN EACH PAIR OF TRANSVERSE POST TENSIONING STRANDS IN THE DIAPHRAGM.

PROJECT NO. 044-01-CDC5B
HAYWOOD COUNTY
STATION: 10+27.00 -L-

SHEET 3 OF 3

STATE OF NORTH CAROLINA
DEPARTMENT OF PUBLIC SAFETY
RALEIGH

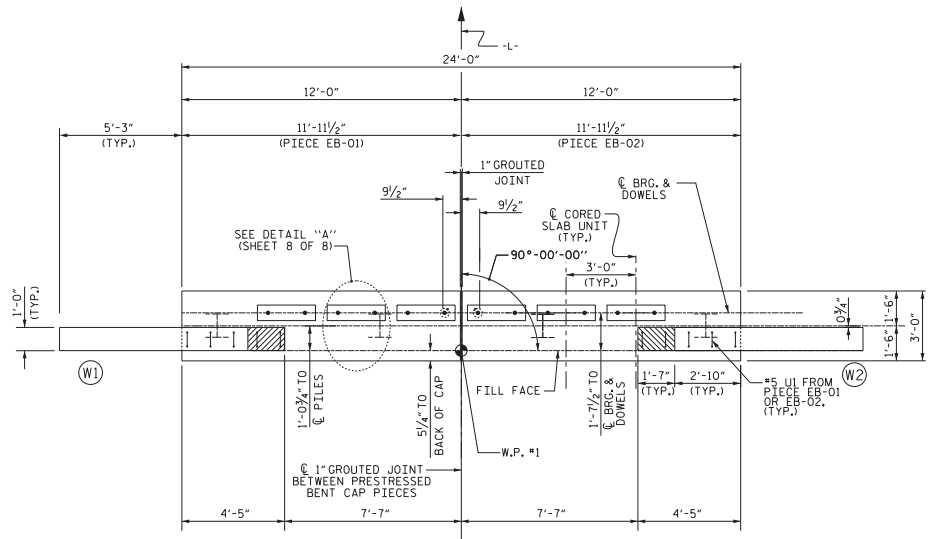
3'-0" X 1'-9"
PRESTRESSED CONCRETE
CORED SLAB UNIT
90° SKEW

DESIGN ENGINEER OF RECORD:	DATE :
DRAWN BY : N. GIAGUNTO	DATE : 10/15/2025
CHECKED BY : R.F. DECOLA	DATE : 10/17/2025

DOCUMENT NOT CONSIDERED FINAL
UNLESS ALL SIGNATURES COMPLETED

KCI Associates
of North Carolina, P.A.
100 Park of West, Suite 200, Raleigh, NC 27607-1210
Tel: 919.979.1210 Fax: 919.979.1211

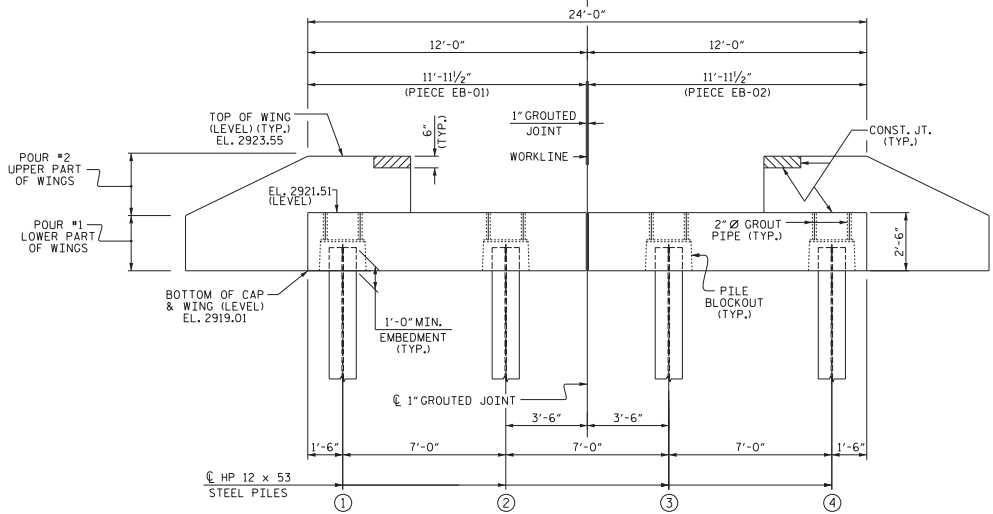
REVISIONS						SHEET NO.
NO.	BY:	DATE:	NO.	BY:	DATE:	5-08
1			3			16
2			4			



PRESTRESSED CONCRETE BENT CAPS (FOR ONE END BENT)			
PIECE	LENGTH	NUMBER	TOTAL LENGTH
EB-01	11'-11 1/2"	1	11'-11 1/2"
EB-02	11'-11 1/2"	1	11'-11 1/2"
TOTAL		2	23'-11"

PLAN

(PILE BLOCKOUTS, AND GROUT PIPES NOT SHOWN FOR CLARITY)



ELEVATION

FOR 2" Ø GROUT PIPE AND PILE BLOCKOUT DETAILS, SEE SHEET 7 OF 8. WINGS NOT SHOWN FOR CLARITY.

PROJECT NO. 044-01-CDC5B
 HAYWOOD COUNTY
 STATION: 10+27.00 -L-
 SHEET 1 OF 8

STATE OF NORTH CAROLINA
 DEPARTMENT OF PUBLIC SAFETY
 RALEIGH

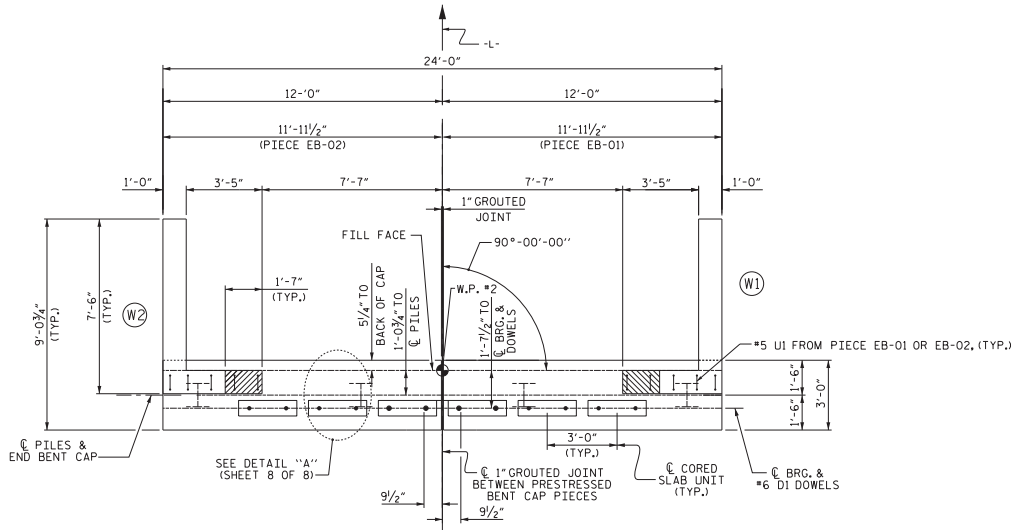
SUBSTRUCTURE
 END BENT 1

DESIGN ENGINEER OF RECORD:	DATE:
DRAWN BY: N. GIACUNTO	DATE: 10/16/25
CHECKED BY: R.F. DECOLA	DATE: 10/17/25

**DOCUMENT NOT CONSIDERED FINAL
 UNLESS ALL SIGNATURES COMPLETED**

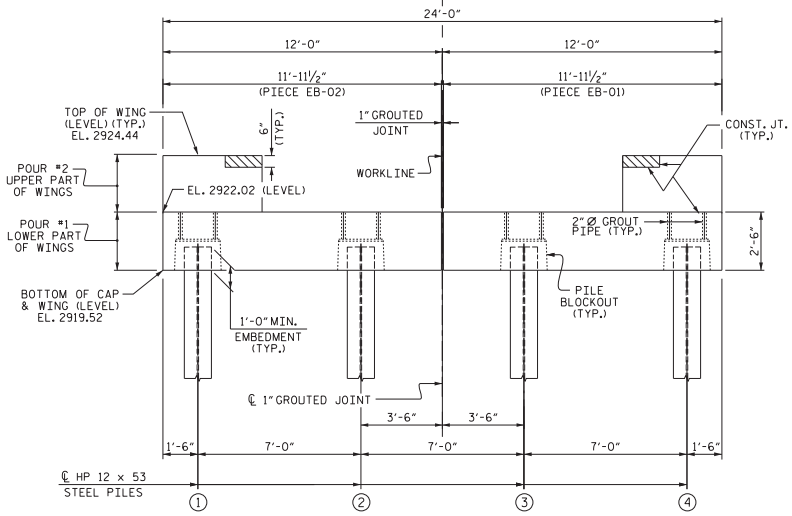
NO.	REVISIONS			SHEET NO.
	BY:	DATE:	NO.	
1				5-09
2				16

MAJ025.0005206.01.CROW No. 044-01-cdc5b.2 Working\Structures\Drawings\3. Final\02.01T_cdc5b_EBI_009.dgn
 10/22/2025 4:42:50 PM
 MDT1:Arms@rncg Structures.ctg
 ACI PROJ: 25101346.096



PLAN

(PILE BLOCKOUTS AND GROUT PIPES NOT SHOWN FOR CLARITY)



ELEVATION

FOR 2" Ø GROUT PIPE AND PILE BLOCKOUT DETAILS, SEE SHEET 7 OF 8. WINGS NOT SHOWN FOR CLARITY.

PROJECT NO. 044-01-CDC5B
 HAYWOOD COUNTY
 STATION: 10+27.00 -L-
 SHEET 2 OF 8

STATE OF NORTH CAROLINA
 DEPARTMENT OF PUBLIC SAFETY
 RALEIGH

STRUCTURE
 END BENT 2

DESIGN ENGINEER OF RECORD:	DATE :
DRAWN BY : N. GIAGUNTO	DATE : 10/16/25
CHECKED BY : R.F. DECOLA	DATE : 10/17/25

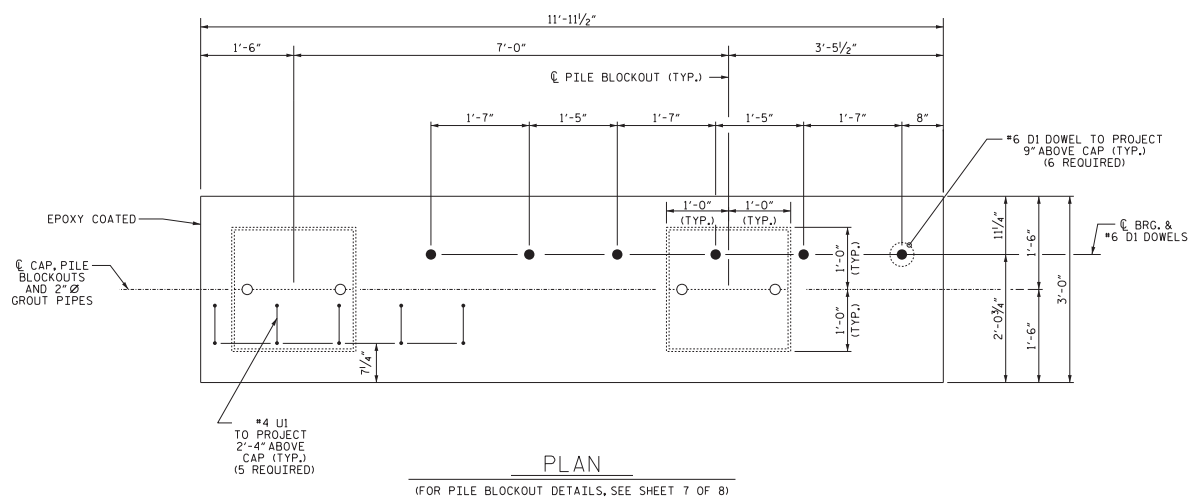
**DOCUMENT NOT CONSIDERED FINAL
 UNLESS ALL SIGNATURES COMPLETED**

KCI Associates
 of North Carolina, P.A.
1000 Poplar Hill Road, Suite 200, Raleigh, NC 27607-4270 Phone 919-733-3344

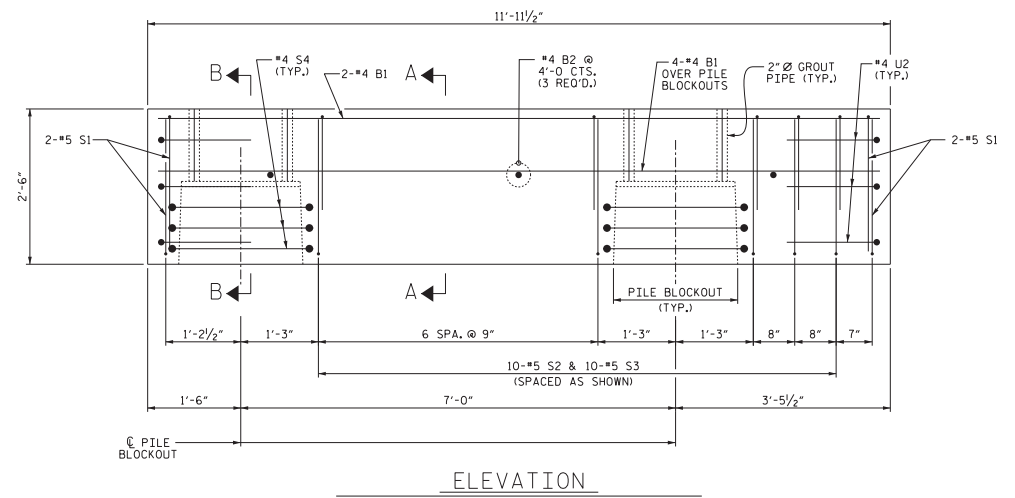
REVISIONS						SHEET NO.
NO.	BY:	DATE:	NO.	BY:	DATE:	S-10
1			3			16
2			4			

M:\2025\0005206_01_CROW NC 044-01-cdc5b\2 Working\Structures\Drawings\3 Final\02.01B_cdc5b-EB2-EB3-EB4.dwg
 10/22/2025 4:42:59 PM
 Mott\Armsstrong Structures\pctg
 ACI PROJ: 25101346.006

M:\2025\005206.01_CD08 No. 044-01-cdc5b.2 Working\Structures\Drawings\3_Final\02_031_cdc5b-EB-01.dgn
 10/24/2025 4:43:42 PM
 MATHUR
 S:\Structures\Structures\Drawings\3_Final\02_031_cdc5b-EB-01.dgn



PLAN
 (FOR PILE BLOCKOUT DETAILS, SEE SHEET 7 OF 8)



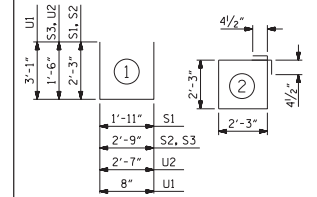
ELEVATION
 (*6 D1 DOWELS & *4 "U" NOT SHOWN FOR CLARITY)
 FOR SECTION A-A & SECTION B-B, SEE SHEET 7 OF 8.

**BILL OF MATERIAL
FOR ONE PIECE EB-01**

BAR	NO.	SIZE	TYPE	LENGTH	WEIGHT
B1	6	*4	STR	11'-7"	46
B2	3	*4	STR	2'-8"	5
D1	6	*6	STR	1'-6"	14
S1	8	*5	1	6'-5"	54
S2	10	*5	1	7'-3"	76
S3	10	*5	1	5'-9"	60
S4	6	*4	2	9'-9"	39
U1	5	*4	1	6'-10"	23
U2	4	*4	1	5'-7"	22

REINFORCING STEEL 339 LBS
 4000 PSI PRESTRESSED CONCRETE 2.9 C.Y.
 GROUT IN PILE BLOCKOUT & JOINT 0.4 C.Y.
 0.6" Ø L.R. STRANDS No. 12

BAR TYPES



ALL BAR DIMENSIONS ARE OUT TO OUT.

GRADE 270 STRANDS	
AREA (SQUARE INCHES)	0.6" Ø L.R. 0.217
ULTIMATE STRENGTH (LBS. PER STRAND)	58,600
APPLIED PRESTRESS (LBS. PER STRAND)	43,950

PROJECT NO. 044-01-CDC5B
 HAYWOOD COUNTY
 STATION: 10+27.00 -L-
 SHEET 3 OF 8

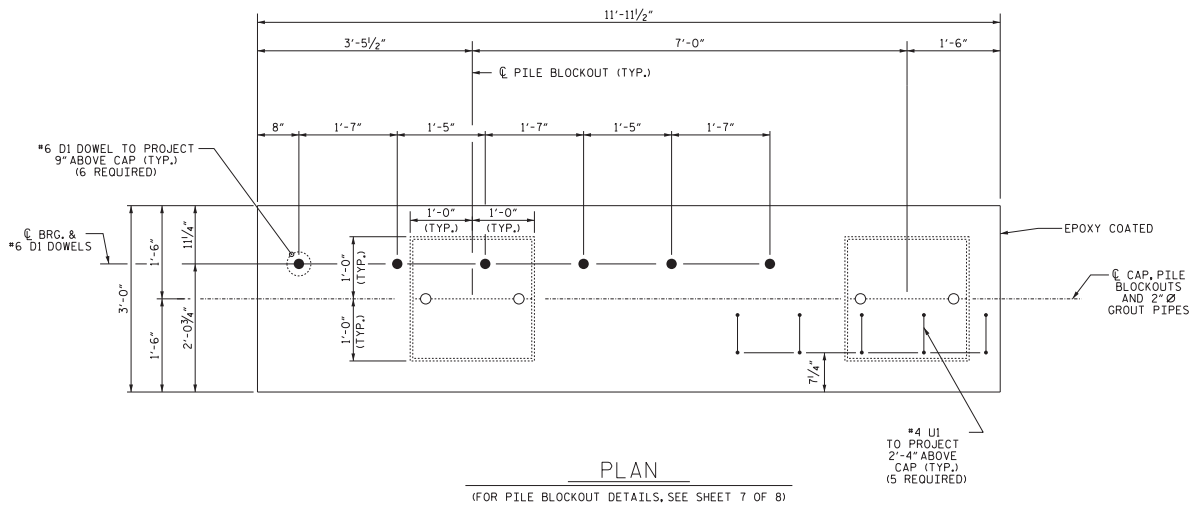
STATE OF NORTH CAROLINA
 DEPARTMENT OF PUBLIC SAFETY
 RALEIGH
 SUBSTRUCTURE
 PRESTRESSED
 PIECE EB-01

DESIGN ENGINEER OF RECORD:	DATE :
DRAWN BY : S. MATHUR	DATE : 10/17/25
CHECKED BY : R.F. DECOLA	DATE : 10/17/25

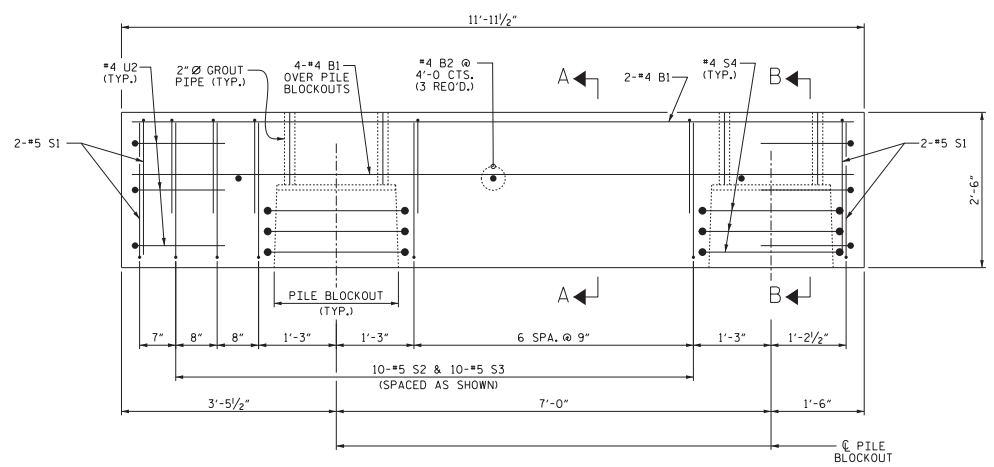
**DOCUMENT NOT CONSIDERED FINAL
 UNLESS ALL SIGNATURES COMPLETED**

NO.	REVISIONS				SHEET NO.
	BY:	DATE:	NO.	DATE:	
1			3		S-11
2			4		16

KCI Associates
 of North Carolina, P.A.
1000 Cape Fear Road, Suite 200, Fayetteville, NC 28403-2010 Phone: 704-785-1000



PLAN
(FOR PILE BLOCKOUT DETAILS, SEE SHEET 7 OF 8)



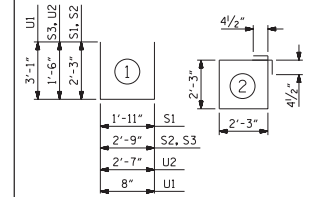
ELEVATION
(*6 DI DOWELS & *4 \"U\" NOT SHOWN FOR CLARITY).
FOR SECTION A-A & SECTION B-B, SEE SHEET 7 OF 8.

BILL OF MATERIAL
FOR ONE PIECE EB-02

BAR	NO.	SIZE	TYPE	LENGTH	WEIGHT
B1	6	*4	STR	11'-7"	46
B2	3	*4	STR	2'-8"	5
D1	6	*6	STR	1'-6"	14
S1	8	*5	1	6'-5"	54
S2	10	*5	1	7'-3"	76
S3	10	*5	1	5'-9"	60
S4	6	*4	2	9'-9"	39
U1	5	*4	1	6'-10"	23
U2	4	*4	1	5'-7"	22

REINFORCING STEEL 339 LBS
4000 PSI PRESTRESSED CONCRETE 2.9 C.Y.
GROUT IN PILE BLOCKOUT & JOINT 0.4 C.Y.
0.6" Ø L.R. STRANDS No. 12

BAR TYPES



ALL BAR DIMENSIONS ARE OUT TO OUT.

GRADE 270 STRANDS	
AREA (SQUARE INCHES)	0.6" Ø L.R. 0.217
ULTIMATE STRENGTH (LBS. PER STRAND)	58,600
APPLIED PRESTRESS (LBS. PER STRAND)	43,950

PROJECT NO. 044-01-CDC5B
HAYWOOD COUNTY
STATION: 10+27.00 -L-
SHEET 4 OF 8

STATE OF NORTH CAROLINA
DEPARTMENT OF PUBLIC SAFETY
RALEIGH
SUBSTRUCTURE
PRESTRESSED
PIECE EB-02

DESIGN ENGINEER OF RECORD:	DATE :
DRAWN BY : S. MATHUR	DATE : 10/17/25
CHECKED BY : R.F. DECOLA	DATE : 10/17/25

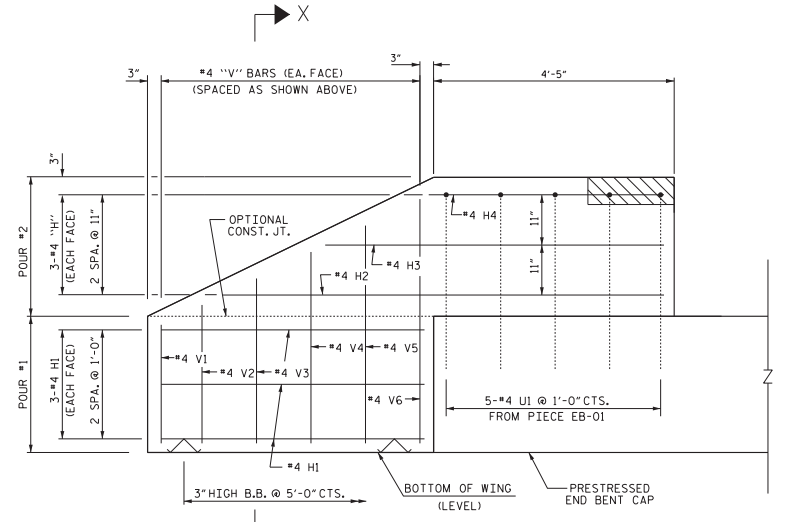
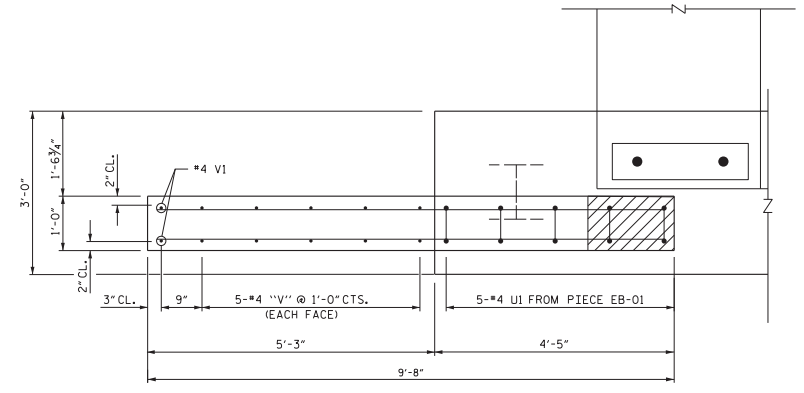
DOCUMENT NOT CONSIDERED FINAL
UNLESS ALL SIGNATURES COMPLETED

REVISIONS		SHEET NO.	
NO.	DATE:	NO.	DATE:
1		5	12
2		16	

KCI Associates
of North Carolina, P.A.
1000 East Third Street, Suite 200 Raleigh, NC 27601-2000 Phone 919-701-3000

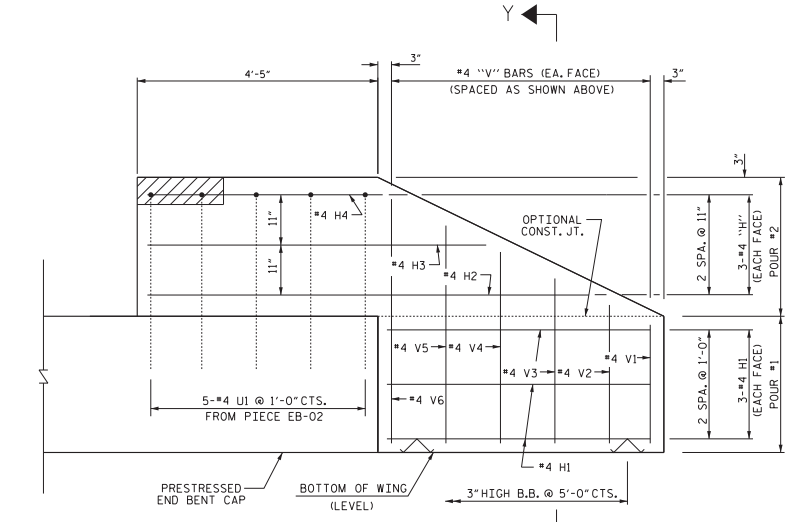
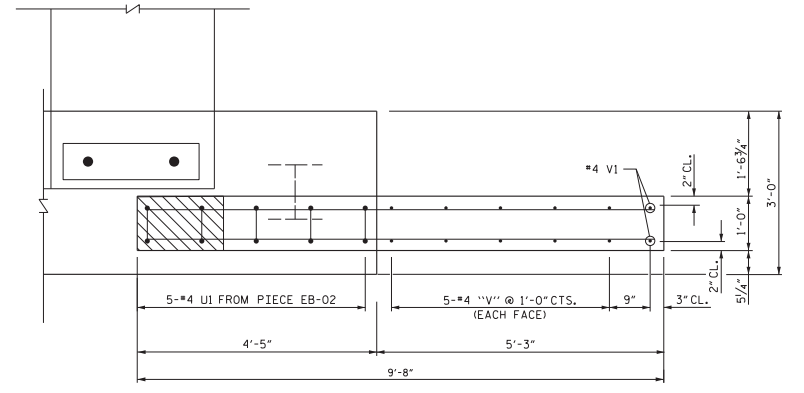
MAJ02510052025.01.dwg No. 044-01-cdc5b.2 Working\Structures\Drawings\3_Final\02_031_cdc5b-EB-02.dwg
 10/24/2025 4:43:52 PM Structures Structures
 ACI PROJ: 25101346.006

MAJ2025.0005208.01.CROW NC 044-01-cdc5b.2 WorkingStructuresDrawings\3_Finals\02_025_cdc5b-EBI_WB_013.dgn
 10/27/2025 4:44:00 PM
 M011-AR.mirroring Structures\pfcfg
 KCI PROJ: 212161346396

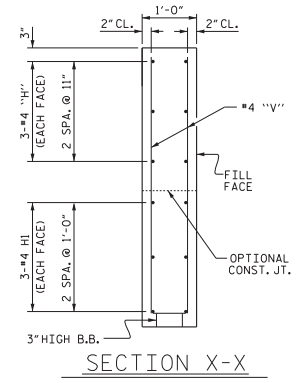


ELEVATION OF WING (W1)

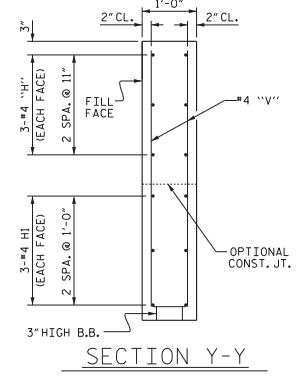
DESIGN ENGINEER OF RECORD:	DATE :
DRAWN BY : N. GIAGUNTO	DATE : 10/16/2025
CHECKED BY : R.F. DECOLA	DATE : 10/17/2025



ELEVATION OF WING (W2)



SECTION X-X



SECTION Y-Y

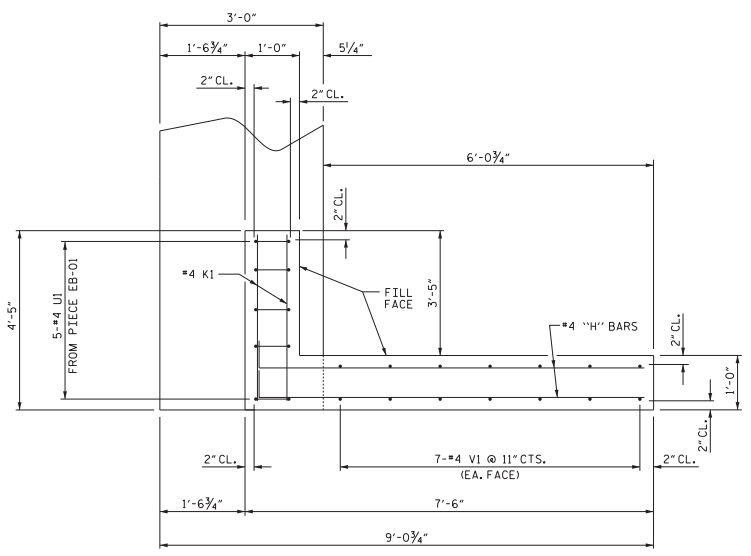
PROJECT NO. 044-01-CDC5B
 HAYWOOD COUNTY
 STATION: 10+27.00 -L-
 SHEET 5 OF 8

STATE OF NORTH CAROLINA
 DEPARTMENT OF PUBLIC SAFETY
 RALEIGH
 SUBSTRUCTURE
 END BENT 1
 WING DETAILS

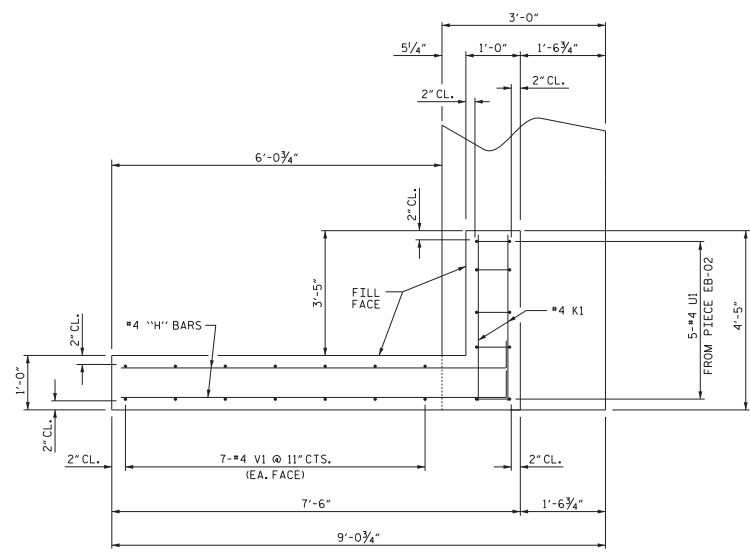
DOCUMENT NOT CONSIDERED FINAL
UNLESS ALL SIGNATURES COMPLETED

 KCI Associates of North Carolina, P.A. <small>400 Cox St. West, Suite 200, Raleigh, NC 27609-2070 Phone 252-103-3824</small>	REVISIONS				SHEET NO. S-13 16	
	NO.	BY:	DATE:	NO.		BY:

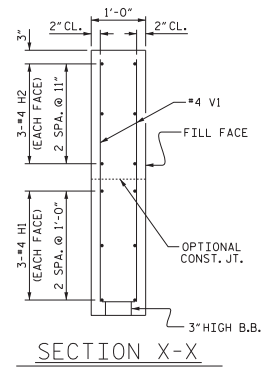
MAJ025.0005206.01.CROW No. 044-01-cdc5b.2 Working\Structures\Drawings\3_Final\02_02T_cdc5b_EB2_Itt.014.dgn
 10/22/2025 4:44:46 PM
 Mott\Armsstrong Structures
 ACI (Proj. 212101346.036)



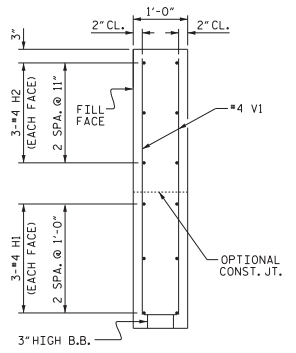
PLAN OF WING (W1)



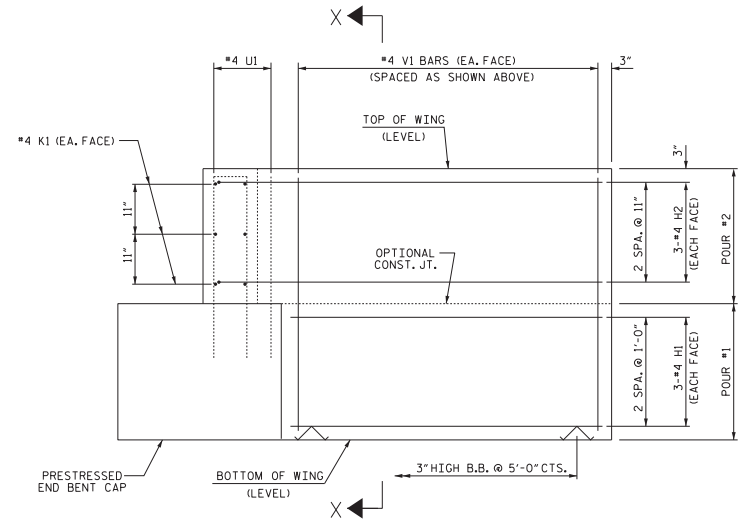
PLAN OF WING (W2)



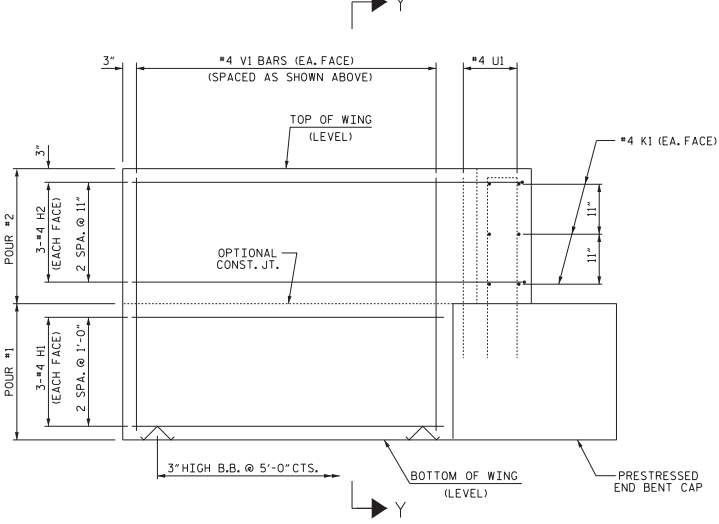
SECTION X-X



SECTION Y-Y



ELEVATION OF WING (W1)



ELEVATION OF WING (W2)

WING DETAILS

PROJECT NO. 044-01-CDC5B
 HAYWOOD COUNTY
 STATION: 10+27.00 -L-
 SHEET 6 OF 8

STATE OF NORTH CAROLINA
 DEPARTMENT OF PUBLIC SAFETY
 RALEIGH
 SUBSTRUCTURE
 END BENT 2
 WING DETAILS

DESIGN ENGINEER OF RECORD: _____ DATE: _____
 DRAWN BY: _____ DATE: _____
 CHECKED BY: _____ DATE: _____

**DOCUMENT NOT CONSIDERED FINAL
 UNLESS ALL SIGNATURES COMPLETED**

NO.	REVISIONS				SHEET NO.
	BY:	DATE:	NO.	DATE:	
1			1		5-14
2			2		16

NOTES

STIRRUPS IN PRESTRESSED PIECES MAY BE SHIFTED AS NECESSARY TO CLEAR DOWELS AND GROUT PIPES.

ALL PRESTRESSING STRANDS SHALL BE 7-WIRE LOW RELAXATION GRADE 270 STRANDS AND SHALL CONFORM TO AASHTO M203 EXCEPT FOR SAMPLING REQUIREMENTS WHICH SHALL BE IN ACCORDANCE WITH THE STANDARD SPECIFICATIONS.

ALL REINFORCING STEEL CAST WITH THE END BENT CAP SHALL BE GRADE 60 AND SHALL BE INCLUDED IN THE UNIT PRICE BID FOR "3'-0" x 2'-6" PRESTRESSED CONCRETE BENT CAPS".

WHEN END BENT CAPS ARE CAST, A HOLD-DOWN SYSTEM SHALL BE EMPLOYED TO PREVENT VOIDS FROM RISING OR MOVING SIDWAYS. AT LEAST SIX WEEKS PRIOR TO CASTING END BENT CAPS, THE CONTRACTOR SHALL SUBMIT TO THE ENGINEER FOR REVIEW AND COMMENT, DETAILED DRAWINGS OF THE PROPOSED HOLD-DOWN SYSTEM. IN ADDITION TO STRUCTURAL DETAILS, LOCATION AND SPACING OF THE HOLD-DOWNS SHALL BE INDICATED.

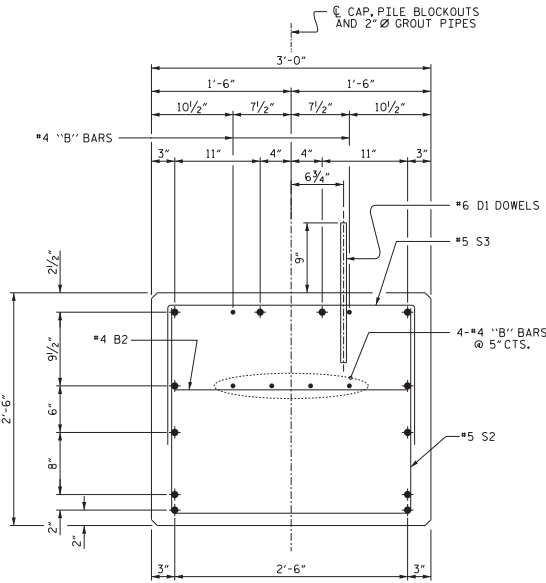
PRESTRESSING STRANDS SHALL BE CUT FLUSH WITH THE ENDS OF THE END BENT CAP SEGMENTS.

APPLY EPOXY PROTECTIVE COATING TO THE EXTERIOR END FACE OF PRESTRESSED PIECE EB-01 AND EB-02.

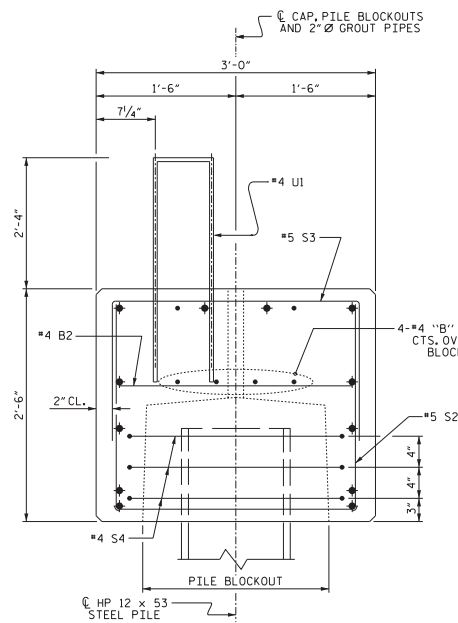
THE TRANSFER OF LOAD FROM THE ANCHORAGES TO THE END BENT CAPS SHALL BE DONE WHEN THE CONCRETE HAS REACHED A COMPRESSIVE STRENGTH OF NOT LESS THAN 3000 PSI.

THE CONTRACTOR SHALL SUBMIT TO THE ENGINEER FOR APPROVAL A METHOD TO LIFT AND SUPPORT THE PRESTRESSED CAP PIECES IN THE PROPER LOCATION AND ELEVATION AS SHOWN ON THE PLANS PRIOR TO PLACEMENT AND CURING OF THE GROUT IN THE PILE BLOCKOUTS. THE METHOD CHOSEN SHALL PROVIDE FOR A WATERTIGHT SEAL AT THE BOTTOM OF THE CAP UNTIL THE GROUT HAS HARDENED SO NO GROUT COMES IN CONTACT WITH THE STREAM.

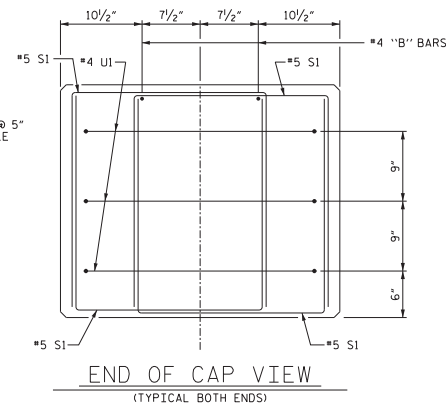
◆ DENOTES PRESTRESSED STRAND



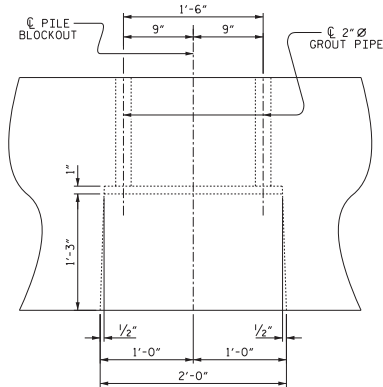
SECTION A-A
(SHOWING 0.6" Ø LOW RELAXATION STRAND LAYOUT)
(12 STRANDS)



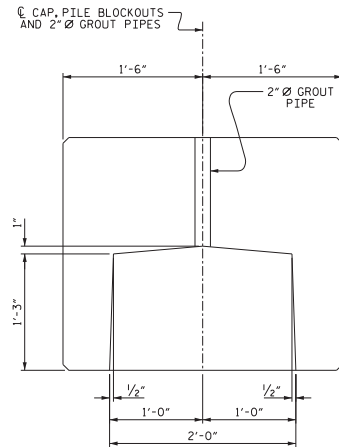
SECTION B-B



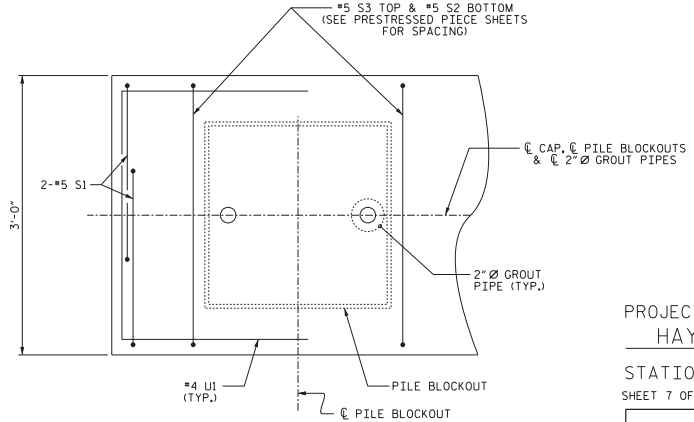
END OF CAP VIEW
(TYPICAL BOTH ENDS)



ELEVATION



SECTION



PART PLAN-END OF CAP
(TYPICAL BOTH ENDS)

PILE BLOCKOUT DETAILS
(DIMENSIONS ARE TYPICAL EACH BLOCKOUT)

DESIGN ENGINEER OF RECORD: _____ DATE: _____
DRAWN BY: _____ DATE: _____
CHECKED BY: _____ DATE: _____

**DOCUMENT NOT CONSIDERED FINAL
UNLESS ALL SIGNATURES COMPLETED**

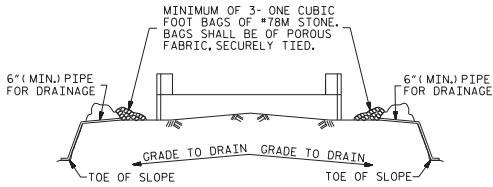
KCI Associates
of North Carolina, P.A.
400 Cape Fear Plaza, Suite 200, Fayetteville, NC 28403-4270 Phone 910-321-3344

REVISIONS			SHEET NO.		
NO.	BY:	DATE:	NO.	BY:	DATE:
1			3		
2			4		

PROJECT NO. 044-01-CDC5B
HAYWOOD COUNTY
STATION: 10+27.00 -L-
SHEET 7 OF 8

STATE OF NORTH CAROLINA
DEPARTMENT OF PUBLIC SAFETY
RALEIGH
SUBSTRUCTURE
END BENT DETAILS

10/27/2025 10:05:05 AM C:\Users\matt.aramstrong\OneDrive\Documents\Drawings\3. Final\02_02B_cdc5b-EB_DET_015.dgn
 Matt.Aramstrong Structures, Inc.
 ACI Proj. 212101246396

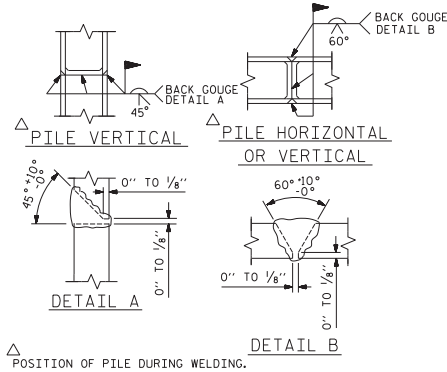


BAGGED STONE AND PIPE SHALL BE PLACED IMMEDIATELY AFTER COMPLETION OF END BENT EXCAVATION. PIPE MAY BE EITHER CONCRETE, CORRUGATED STEEL, CORRUGATED ALUMINUM ALLOY, OR CORRUGATED PLASTIC. PERFORATED PIPE WILL NOT BE ALLOWED.

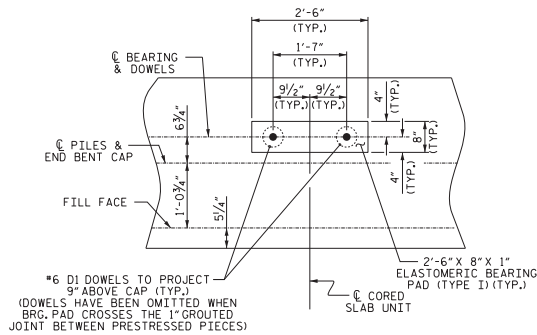
BAGGED STONE SHALL REMAIN IN PLACE UNTIL THE ENGINEER DIRECTS THAT IT BE REMOVED. THE CONTRACTOR SHALL REMOVE AND DISPOSE OF SILT ACCUMULATIONS AT BAGGED STONE WHEN SO DIRECTED BY THE ENGINEER. BAGS SHALL BE REMOVED AND REPLACED WHENEVER THE ENGINEER DETERMINES THAT THEY HAVE DETERIORATED AND LOST THEIR EFFECTIVENESS.

NO SEPARATE PAYMENT WILL BE MADE FOR THIS WORK AND THE ENTIRE COST OF THIS WORK SHALL BE INCLUDED IN THE UNIT CONTRACT PRICE BID FOR THE SEVERAL PAY ITEMS.

TEMPORARY DRAINAGE AT END BENT

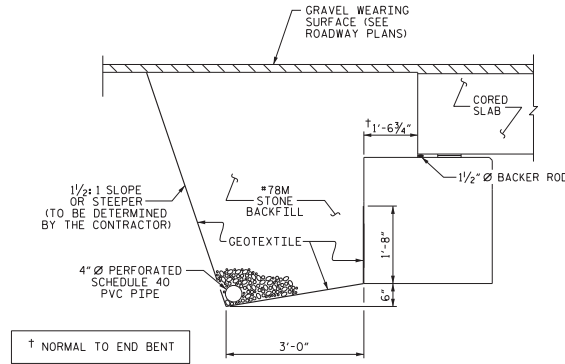


PILE SPLICE DETAILS



DETAIL "A"

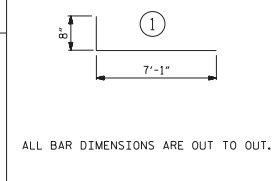
(END BENT 1 SHOWN, END BENT 2 SIMILAR BY ROTATION)



SECTION THRU BACKFILL

BILL OF MATERIAL

WINGS FOR END BENT 1					WINGS FOR END BENT 2						
BAR NO.	NO.	SIZE	TYPE	LENGTH	WEIGHT	BAR NO.	NO.	SIZE	TYPE	LENGTH	WEIGHT
H1	12	#4	STR	4'-9"	38	H1	12	#4	STR	5'-8"	45
H2	4	#4	STR	8'-1"	22	H2	12	#4	1	7'-9"	62
H3	4	#4	STR	6'-3"	17						
H4	4	#4	STR	4'-6"	12	K1	12	#4	STR	2'-11"	23
V1	4	#4	STR	2'-2"	6	V1	28	#4	STR	4'-8"	87
V2	4	#4	STR	2'-6"	7						
V3	4	#4	STR	2'-11"	8						
V4	4	#4	STR	3'-5"	9						
V5	4	#4	STR	3'-11"	10						
V6	4	#4	STR	4'-4"	12						
REINFORCING STEEL					217	REINFORCING STEEL					217
CLASS A CONCRETE BREAKDOWN						CLASS A CONCRETE BREAKDOWN					
POUR #1 LOWER PART OF WINGS					1.1	POUR #1 LOWER PART OF WINGS					1.1
POUR #2 UPPER PART OF WINGS					2.0	POUR #2 UPPER PART OF WINGS					2.0
TOTAL CLASS A CONCRETE					3.1	TOTAL CLASS A CONCRETE					3.1
REINFORCING STEEL					141	REINFORCING STEEL					141
CLASS A CONCRETE BREAKDOWN						CLASS A CONCRETE BREAKDOWN					
POUR #1 LOWER PART OF WINGS					1.0	POUR #1 LOWER PART OF WINGS					1.0
POUR #2 UPPER PART OF WINGS					1.3	POUR #2 UPPER PART OF WINGS					1.3
TOTAL CLASS A CONCRETE					2.3	TOTAL CLASS A CONCRETE					2.3



ALL BAR DIMENSIONS ARE OUT TO OUT.

NOTES

FOR PRESTRESSED CAP DETAILS, SEE "PRESTRESSED PIECE EB-01" & "PRESTRESSED PIECE EB-02" SHEETS.

FOR GROUT FOR STRUCTURES, SEE SPECIAL PROVISIONS.

FOR 3'-0" X 2'-6" PRESTRESSED CONCRETE BENT CAPS, SEE SPECIAL PROVISIONS.

THE CONCRETE IN THE SHADED AREA OF THE WING SHALL BE POURED AFTER THE CONCRETE CURB IS CAST IF SLIP FORMING IS USED.

PROJECT NO. 044-01-CDC5B

HAYWOOD COUNTY

STATION: 10+27.00 -L-

SHEET 8 OF 8

STATE OF NORTH CAROLINA
DEPARTMENT OF PUBLIC SAFETY
RALEIGH
SUBSTRUCTURE
END BENT DETAILS

DESIGN ENGINEER OF RECORD: _____ DATE: _____

DRAWN BY: _____ DATE: _____

CHECKED BY: _____ DATE: _____

DOCUMENT NOT CONSIDERED FINAL
UNLESS ALL SIGNATURES COMPLETED



REVISIONS				SHEET NO.
NO.	DATE	BY	DATE	5-16
1				16
2				16

MAJ2025:0005206.01.dwg No. 044-01-cdc5b.2 WorkingStructuresDrawings3 FinalV02.031_cdc5b-EB-DET2.dwg.dgn
 10/27/2025 4:45:04 PM
 KCI PROJ: 21210194.056 Structures b1 Structures b1

STANDARD NOTES

DESIGN DATA:

SPECIFICATIONS	-----	A.A.S.H.T.O. (CURRENT)
LIVE LOAD	-----	SEE PLANS
IMPACT ALLOWANCE	-----	SEE A.A.S.H.T.O.
STRESS IN EXTREME FIBER OF		
STRUCTURAL STEEL - AASHTO M270 GRADE 36	--	20,000 LBS. PER SQ. IN.
- AASHTO M270 GRADE 50W	--	27,000 LBS. PER SQ. IN.
- AASHTO M270 GRADE 50	--	27,000 LBS. PER SQ. IN.
REINFORCING STEEL IN TENSION - GRADE 60	----	24,000 LBS. PER SQ. IN.
CONCRETE IN COMPRESSION	-----	1,200 LBS. PER SQ. IN.
CONCRETE IN SHEAR	-----	SEE A.A.S.H.T.O.
STRUCTURAL TIMBER - TREATED OR UNTREATED		
EXTREME FIBER STRESS	----	1,800 LBS. PER SQ. IN.
COMPRESSION PERPENDICULAR TO GRAIN		
OF TIMBER	----	375 LBS. PER SQ. IN.
EQUIVALENT FLUID PRESSURE OF EARTH	-----	30 LBS. PER CU. FT. (MINIMUM)

MATERIAL AND WORKMANSHIP:

EXCEPT AS MAY OTHERWISE BE SPECIFIED ON PLANS OR IN THE SPECIAL PROVISIONS, ALL MATERIAL AND WORKMANSHIP SHALL BE IN ACCORDANCE WITH THE 2018 "STANDARD SPECIFICATIONS FOR ROADS AND STRUCTURES" OF THE N. C. DEPARTMENT OF TRANSPORTATION.

STEEL SHEET PILING FOR PERMANENT OR TEMPORARY APPLICATIONS SHALL BE HOT ROLLED.

CONCRETE:

UNLESS OTHERWISE REQUIRED ON PLANS, CLASS A CONCRETE SHALL BE USED FOR ALL PORTIONS OF ALL STRUCTURES WITH THE EXCEPTION THAT: CLASS AA CONCRETE SHALL BE USED IN BRIDGE SUPERSTRUCTURES, ABUTMENT BACKWALLS, AND APPROACH SLABS; AND CLASS B CONCRETE SHALL BE USED FOR SLOPE PROTECTION AND RIP RAP.

CONCRETE CHAMFERS:

UNLESS OTHERWISE NOTED ON THE PLANS, ALL EXPOSED CORNERS ON STRUCTURES SHALL BE CHAMFERED 1/4" WITH THE FOLLOWING EXCEPTIONS: TOP CORNERS OF CURBS MAY BE ROUNDED TO 1/2" RADIUS WHICH IS BUILT INTO CURB FORMS; CORNERS OF TRANSVERSE FLOOR EXPANSION JOINTS SHALL BE ROUNDED WITH A 1/4" FINISHING TOOL UNLESS OTHERWISE REQUIRED ON PLANS; AND CORNERS OF EXPANSION JOINTS IN THE ROADWAY FACES AND TOPS OF CURBS AND SIDEWALKS SHALL BE ROUNDED TO A 1/4" RADIUS WITH A FINISHING STONE OR TOOL UNLESS OTHERWISE REQUIRED ON PLANS.

DOWELS:

DOWELS WHEN INDICATED ON PLANS AS FOR CULVERT EXTENSIONS, SHALL BE EMBEDDED AT LEAST 12" INTO THE OLD CONCRETE AND GROUTED INTO PLACE WITH 1:2 CEMENT MORTAR.

ALLOWANCE FOR DEAD LOAD DEFLECTION, SETTLEMENT, ETC. IN CASTING SUPERSTRUCTURES:

BRIDGES SHALL BE BUILT ON THE GRADE OR VERTICAL CURVE SHOWN ON PLANS. SLABS, CURBS AND PARAPETS SHALL CONFORM TO THE GRADE OR CURVE.

ALL DIMENSIONS WHICH ARE GIVEN IN SECTION AND ARE AFFECTED BY DEAD LOAD DEFLECTIONS ARE DIMENSIONS AT CENTER LINE OF BEARING UNLESS OTHERWISE NOTED ON PLANS. IN SETTING FORMS FOR STEEL BEAM BRIDGES AND PRESTRESSED CONCRETE GIRDER BRIDGES, ADJUSTMENTS SHALL BE MADE DUE TO THE DEAD LOAD DEFLECTIONS FOR THE ELEVATIONS SHOWN. WHERE BLOCKS ARE SHOWN OVER BEAMS FOR BUILDING UP TO THE SLAB, THE VERTICAL DIMENSIONS OF THE BLOCKS SHALL BE ADJUSTED BETWEEN BEARINGS TO COMPENSATE FOR DEAD LOAD DEFLECTIONS, VERTICAL CURVE ORDINATE, AND ACTUAL BEAM CAMBER. WHERE BOTTOM OF SLAB IS IN LINE WITH BOTTOM OF TOP FLANGES, DEPTH OF SLAB BETWEEN BEARINGS SHALL BE ADJUSTED TO COMPENSATE FOR DEAD LOAD DEFLECTION, VERTICAL CURVE ORDINATE, AND ACTUAL BEAM CAMBER.

IN SETTING FALSEWORK AND FORMS FOR REINFORCED CONCRETE SPANS AN ALLOWANCE SHALL BE MADE FOR DEAD LOAD DEFLECTIONS, SETTLEMENT OF FALSEWORK, AND PERMANENT CAMBER WHICH SHALL BE PROVIDED FOR IN ADDITION TO THE ELEVATIONS SHOWN. AFTER REMOVAL OF THE FALSEWORK, THE FINISHED STRUCTURES SHALL CONFORM TO THE PROFILE AND ELEVATIONS SHOWN ON THE PLANS AND CONSTRUCTION ELEVATIONS FURNISHED BY THE ENGINEER.

DETAILED DRAWINGS FOR FALSEWORK OR FORMS FOR BRIDGE SUPERSTRUCTURE AND ANY STRUCTURE OR PARTS OF A STRUCTURE AS NOTED ON THE PLANS SHALL BE SUBMITTED TO THE ENGINEER FOR APPROVAL BEFORE CONSTRUCTION OF THE FALSEWORK OR FORMS IS STARTED.

REINFORCING STEEL:

ALL REINFORCING STEEL SHALL BE DEFORMED. DIMENSIONS RELATIVE TO PLACEMENT OF REINFORCING ARE TO CENTERS OF BARS UNLESS OTHERWISE INDICATED IN THE PLANS. DIMENSIONS ON BAR DETAILS ARE TO CENTERS OF BARS OR ARE OUT TO OUT AS INDICATED ON PLANS.

WIRE BAR SUPPORTS SHALL BE PROVIDED FOR REINFORCING STEEL WHERE INDICATED ON THE PLANS. WHEN BAR SUPPORT PIECES ARE PLACED IN CONTINUOUS LINES, THEY SHALL BE SO PLACED THAT THE ENDS OF THE SUPPORTING WIRES SHALL BE LAPPED TO LOCK LEGS ON ADJOINING PIECES.

STRUCTURAL STEEL:

AT THE CONTRACTOR'S OPTION, HE MAY SUBSTITUTE 3/8" Ø SHEAR STUDS FOR THE 1/2" Ø STUDS SPECIFIED ON THE PLANS. THIS SUBSTITUTION SHALL BE MADE AT THE RATE OF 3 - 3/8" Ø STUDS FOR 4 - 1/2" Ø STUDS, AND STUD SPACING CHANGES SHALL BE MADE AS NECESSARY TO PROVIDE THE SAME EQUIVALENT NUMBER OF 3/8" Ø STUDS ALONG THE BEAM AS SHOWN FOR 1/2" Ø STUDS BASED ON THE RATIO OF 3 - 3/8" Ø STUDS FOR 4 - 1/2" Ø STUDS. STUDS OF THE LENGTH SPECIFIED ON THE PLANS MUST BE PROVIDED. THE MAXIMUM SPACING SHALL BE 2'-0".

EXCEPT AT THE INTERIOR SUPPORTS OF CONTINUOUS BEAMS WHERE THE COVER PLATE IS IN CONTACT WITH BEARING PLATE, THE CONTRACTOR MAY, AT HIS OPTION, SUBSTITUTE FOR THE COVER PLATES DESIGNATED ON THE PLANS COVER PLATES OF THE EQUIVALENT AREA PROVIDED THESE PLATES ARE AT LEAST 3/8" IN THICKNESS AND DO NOT EXCEED A WIDTH EQUAL TO THE FLANGE WIDTH LESS 2" OR A THICKNESS EQUAL TO 2 TIMES THE FLANGE THICKNESS. THE SIZE OF FILLET WELDS SHALL CONFORM TO THE REQUIREMENTS OF THE CURRENT ANSI/AASHTO/AWS "BRIDGE WELDING CODE". ELECTROSLAG WELDING WILL NOT BE PERMITTED.

WITH THE SOLE EXCEPTION OF EDGES AT SURFACES WHICH BEAR ON OTHER SURFACES, ALL SHARP EDGES AND ENDS OF SHAPES AND PLATES SHALL BE SLIGHTLY ROUNDED BY SUITABLE MEANS TO A RADIUS OF APPROXIMATELY 1/16" INCH OR EQUIVALENT FLAT SURFACE AT A SUITABLE ANGLE PRIOR TO PAINTING, GALVANIZING, OR METALLIZING.

HANDRAILS AND POSTS:

METAL STANDARDS AND FACES OF THE CONCRETE END POSTS FOR THE METAL RAIL SHALL BE SET NORMAL TO THE GRADE OF THE CURB, UNLESS OTHERWISE SHOWN ON PLANS. THE METAL RAIL AND TOPS OF CONCRETE POSTS USED WITH THE ALUMINUM RAIL SHALL BE BUILT PARALLEL TO THE GRADE OF THE CURB.

METAL HANDRAILS SHALL BE IN ACCORDANCE WITH THE PLANS. RAILS SHALL BE AS MANUFACTURED FOR BRIDGE RAILING. CASTINGS SHALL BE OF A UNIFORM APPEARANCE. FINIS AND OTHER DEFORMATIONS RESULTING FROM CASTING OR OTHERWISE SHALL BE REMOVED IN A MANNER SO THAT A UNIFORM COLORING OF THE COMPLETED CASTING SHALL BE OBTAINED. CASTINGS WITH DISCOLORATIONS OR OF NON-UNIFORM COLORING WILL NOT BE ACCEPTED. CERTIFIED MILL REPORTS ARE REQUIRED FOR METAL RAILS AND POSTS.

SPECIAL NOTES:

GENERALLY, IN CASE OF DISCREPANCY, THIS STANDARD SHEET OF NOTES SHALL GOVERN OVER THE SPECIFICATIONS, BUT THE REMAINDER OF THE PLANS SHALL GOVERN OVER NOTES HEREON, AND SPECIAL PROVISIONS SHALL GOVERN OVER ALL. SEE SPECIFICATIONS ARTICLE 105-4.

ENGLISH

JANUARY, 1990

STD. NO. SN

DIVISION OF HIGHWAYS
STATE OF NORTH CAROLINA

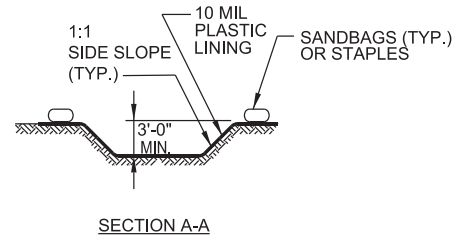
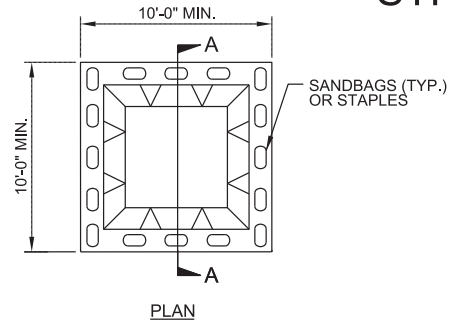
SOIL STABILIZATION TIMEFRAMES

PROJECT REFERENCE NO. <i>PRB</i>	SHEET NO. <i>EC-2</i>
ROADWAY DESIGN ENGINEER	HYDRAULICS ENGINEER

<i>SITE DESCRIPTION</i>	<i>STABILIZATION TIME</i>	<i>TIMEFRAME EXCEPTIONS</i>
PERIMETER DIKES, SWALES, DITCHES AND SLOPES	7 DAYS	NONE
HIGH QUALITY WATER (HOW) ZONES	7 DAYS	NONE
SLOPES STEEPER THAN 3:1	7 DAYS	IF SLOPES ARE 10' OR LESS IN LENGTH AND ARE NOT STEEPER THAN 2:1, 14 DAYS ARE ALLOWED.
SLOPES 3:1 TO 4:1	14 DAYS	7 DAYS FOR SLOPES GREATER THAN 50' IN LENGTH WITH SLOPES STEEPER THAN 4:1. 7 DAYS FOR PERIMETER DIKES, SWALES, DITCHES PERIMETER SLOPES, AND HOW ZONES
ALL OTHER AREAS WITH SLOPES FLATTER THAN 4:1	14 DAYS	7 DAYS FOR PERIMETER DIKES, SWALES, DITCHES PERIMETER SLOPES, AND HOW ZONES

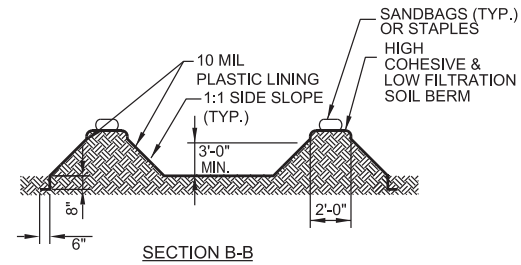
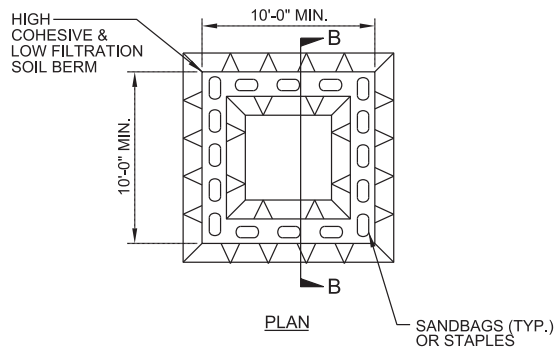
ONSITE CONCRETE WASHOUT STRUCTURE WITH LINER

PROJECT REFERENCE NO. <i>PRB</i>	SHEET NO. <i>EC-2</i>
R/W SHEET NO.	
ROADWAY DESIGN ENGINEER	HYDRAULICS ENGINEER



BELOW GRADE WASHOUT STRUCTURE
NOT TO SCALE

- NOTES:**
1. ACTUAL LOCATION DETERMINED IN FIELD
 2. THE CONCRETE WASHOUT STRUCTURES SHALL BE MAINTAINED WHEN THE LIQUID AND/OR SOLID REACHES 75% OF THE STRUCTURES CAPACITY TO PROVIDE ADEQUATE HOLDING CAPACITY WITH A MINIMUM 12 INCHES OF FREEBOARD.
 3. CONCRETE WASHOUT STRUCTURE NEEDS TO BE CLEARLY MARKED WITH SIGNAGE NOTING DEVICE.



ABOVE GRADE WASHOUT STRUCTURE
NOT TO SCALE

- NOTES:**
1. ACTUAL LOCATION DETERMINED IN FIELD
 2. THE CONCRETE WASHOUT STRUCTURES SHALL BE MAINTAINED WHEN THE LIQUID AND/OR SOLID REACHES 75% OF THE STRUCTURES CAPACITY TO PROVIDE ADEQUATE HOLDING CAPACITY WITH A MINIMUM 12 INCHES OF FREEBOARD.
 3. CONCRETE WASHOUT STRUCTURE NEEDS TO BE CLEARLY MARKED WITH SIGNAGE NOTING DEVICE.